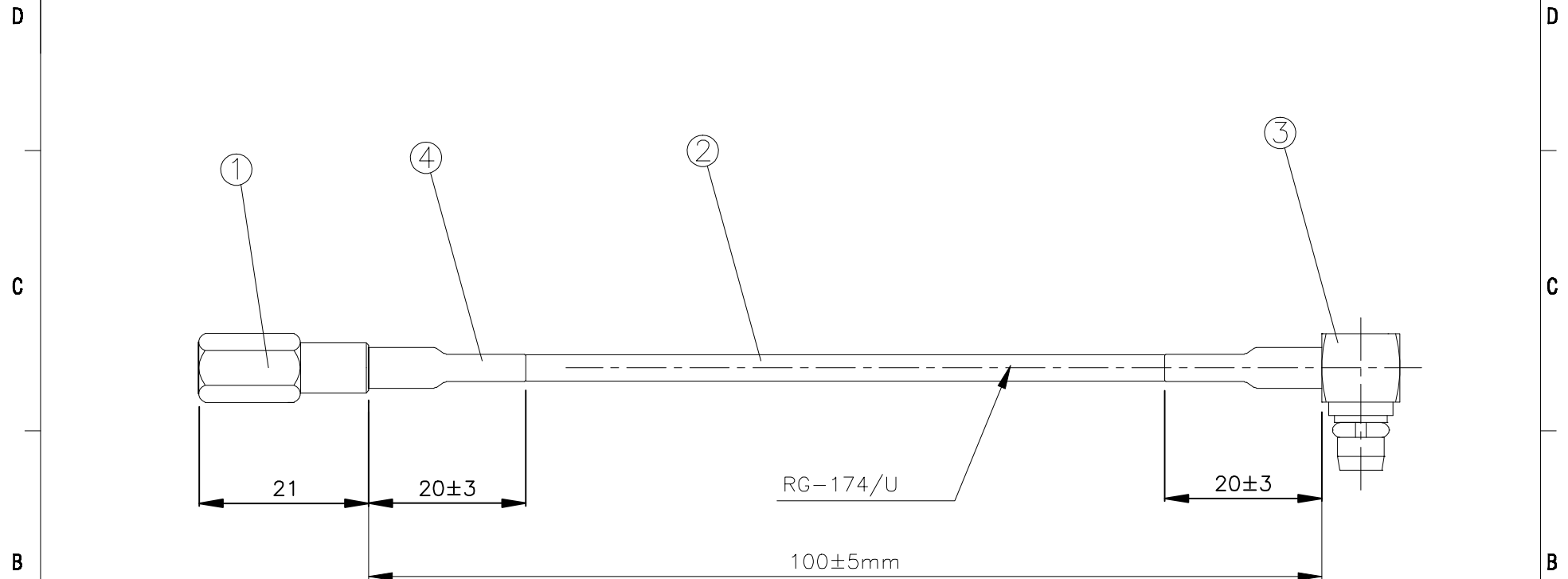


NO	DESCRIPTION	Q'TY	FINISH	REMARK
1	CONNECTOR	1	GOLD	FME PLUG
2	CABLE	0.1	BLACK	RG-174/U
3	CONNECTOR	1	GOLD	MMCX PLUG
4	SHRINKING TUBE	1	BLACK	



Specifications:

Electrical Performance
 Impedance : 50 Ω
 Frequency range : DC to 6GHz.
 Maximum working voltage : 250V rms.
 Maximum dielectric withstanding voltage : AC 300V
 Minimum insulation resistance : 500M Ω



CW	DATE	2013.11.11
NP	DATE	2013.11.11
GA	DATE	2013.11.11
NR	DATE	2013.11.11
REVISION	1.0	DATE 2013.11.11



TITLE	FME PLUG - MMCX PLUG RG-174/U	REV	A
PART NO.	AMC-RFCAB174-JM100I		
DRAWING NO.	AMC-RFCAB174-JM100I		