

AMC-ANT-2JM3201C5F

High precision GNSS L1/L2/L5 ceramic active antenna

Features

- GPS/GLONASS/BeiDou/QZSS/Galileo/IRNSS/SBAS/L1/L2/L5
 - 1176MHz, 1227MHz & 1561 - 1606MHz
- High precision navigation
- Pre-filter
- 28dB gain
- Low noise figure
- Low power consumption
- Dimensions: 25 x 25 x 12mm
- Customisable cable and connector



1. Antenna and electrical specifications

Parameters	GNSS active antenna		
Technologies	GPS/Galileo/QZSS/GLONASS/BeiDou/IRNSS/SBAS/L1/L2/L5		
Bandwidth (MHz)	1176	1227	1561 -1606
Bands	L5	L2	L1
Frequency (MHz)	1176.45	1227.6	1561.09 1575.42 1602.00
Standards	GPS(L5) BeiDou(B2a) QZSS(L5) Galileo(E5a) IRNSS(L5)	GPS(L2C) QZSS(L2C)	GPS(L1C) GLONASS(L1OF) BeiDou(B1) QZSS(L1C) Galileo(E1) SBAS(L1)
Return loss (dB)	~-11.3	~-11.1	~-16.4
VSWR	~2.1:1	~1.8:1	~1.4:1
Passive peak gain (dBi)	~4.2	~3.2	~1.9
Impedance (Ohms)	50		
Radiation pattern	Hemispherical		
Axial ratio (dB)	3dB max		
Polarisation	RHCP		
Voltage range	1.5 - 6		
Active gain (dB)	28 @ 3V		
Noise figure (dB)	1.6 @ 3V		
Current consumption (mA)	16 @ 3V		
Power consumption (mW)	48 @ 3V		
SAW filter type	Pre-filter		
Out of Band rejection (dB)	~40		
ESD protection (kV)	2		
Connector type	U.FL standard (other connectors available)		
Cable length	100mm standard (other lengths available)		
Cable type	1.37mm mini-coax (other types available)		

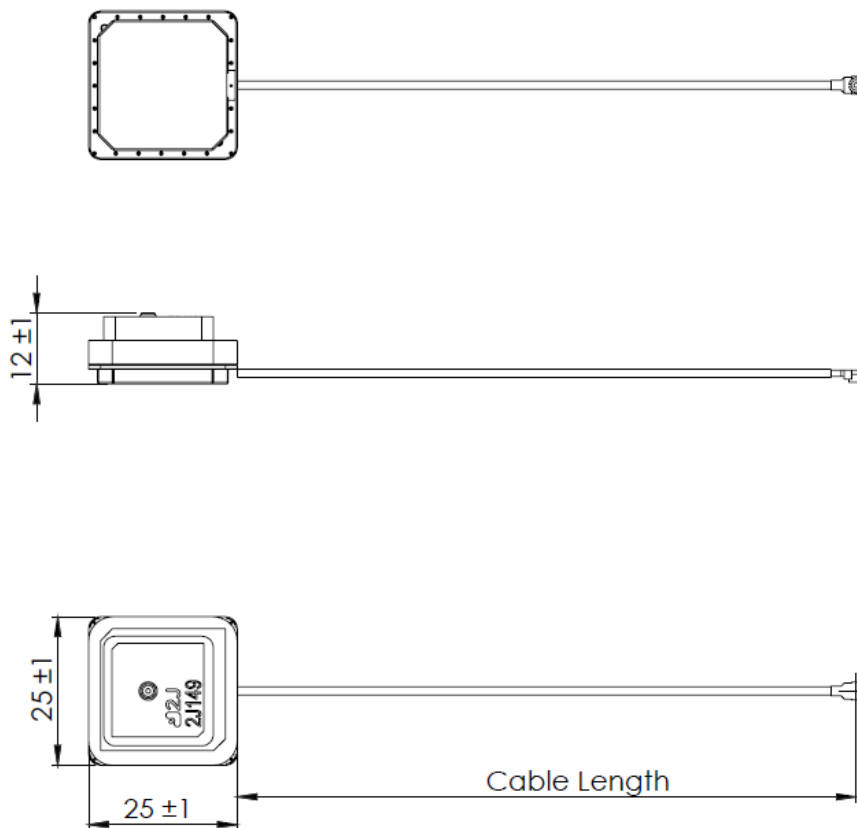


Antenna measurement conditions:

- Free space
- Measured in certified CTIA 3D anechoic chamber

2. Mechanical and environmental specifications

Dimensions (mm)	25 x 25 x 12
Operating temperature (°C)	-40 to +85
Storage temperature (°C)	-40 to +85
Substance compliance	RoHS

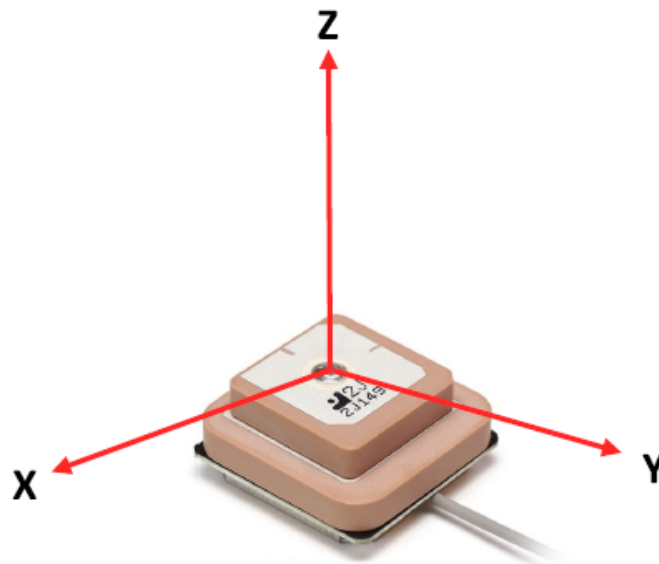
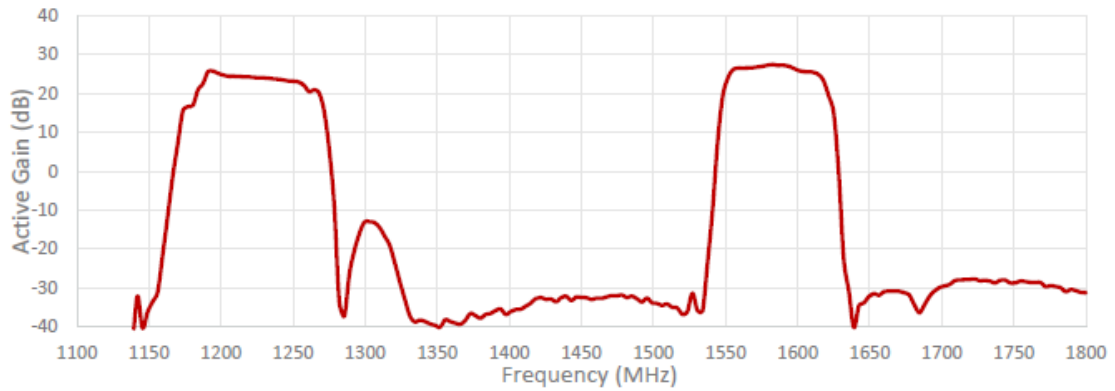


* Dimensions in millimeters



3. Antenna parameters

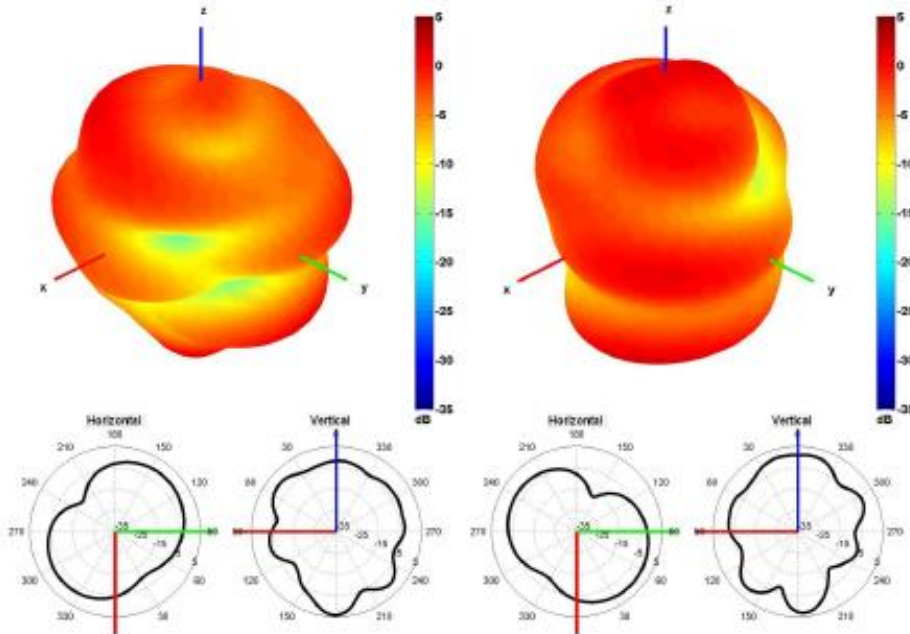
Table 1: GNSS/L1L2L5



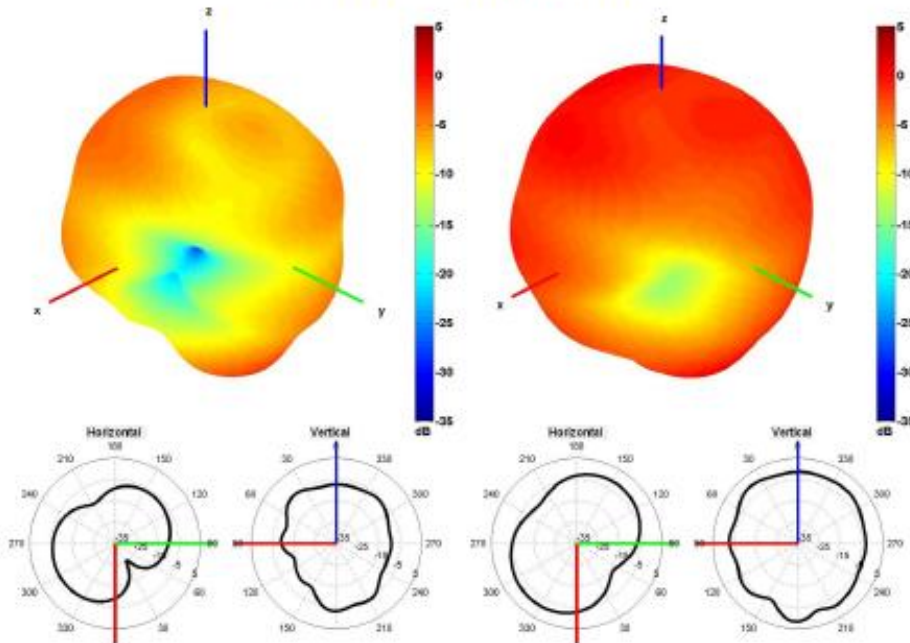
Radiation pattern reference



Table 1: GNSS/L1L2L5

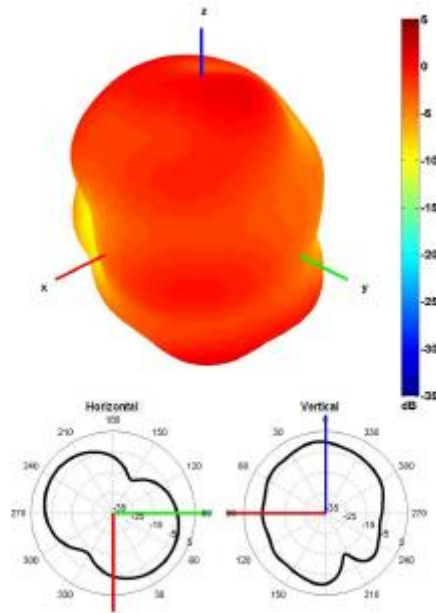


1176 AND 1227 MHz Radiation pattern



1561 AND 1575 MHz Radiation pattern





1600 MHz Radiation pattern

