

AMC-ANT-2JE28a

Cellular/LTE surface mount antenna

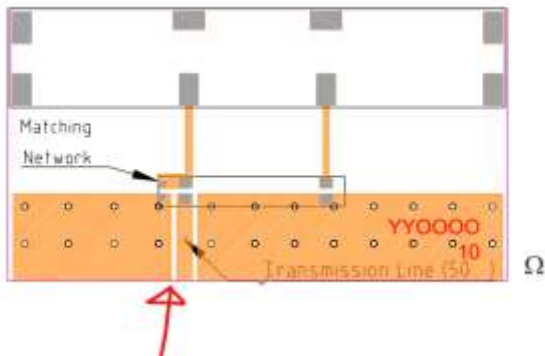
Features

- Cellular/LTE:
 - 698 – 960MHz
 - 1710 – 2170MHz
 - 2500 – 2700MHz
- Surface mount
- Right feed
- High performance
- Ground plane dependent
- Fibreglass material
- Dimensions: 40 x 8 x 3mm

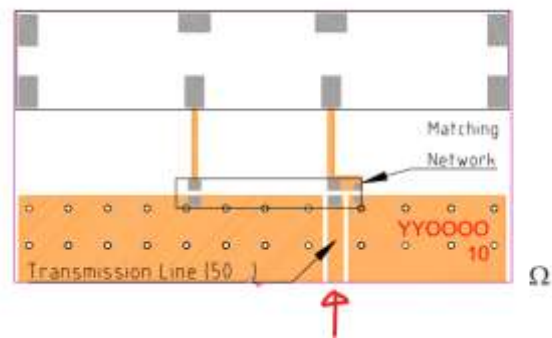


Difference between AMC-ANT-2JE28 and AMC-ANT-2JE28a:

AMC-ANT-2JE28 – left feed



AMC-ANT-2JE28a – right feed



1. Antenna and electrical specifications

Parameters	Cellular/LTE antenna		
Standards	2G, 3G, 4G		
Band (MHz)	700/850/900	1700/1800/1900/2100	2600
Frequency (MHz)	698 - 960	1710 - 2170	2500 - 2700
Return loss (dB)	~-8.3	~-11.1	~-14.5
VSWR	~2.5:1	~1.8:1	~1.5:1
Efficiency (%)	~58.2	~70.1	~65.7
Peak gain (dBi)	~2.6	~3.6	~3.8
Average gain (dB)	~-2.6	~-1.8	~-2.2
Impedance (Ohms)	50		
Polarisation	Linear		
Radiation pattern	Omni-Directional		
Max. input power (W)	25		

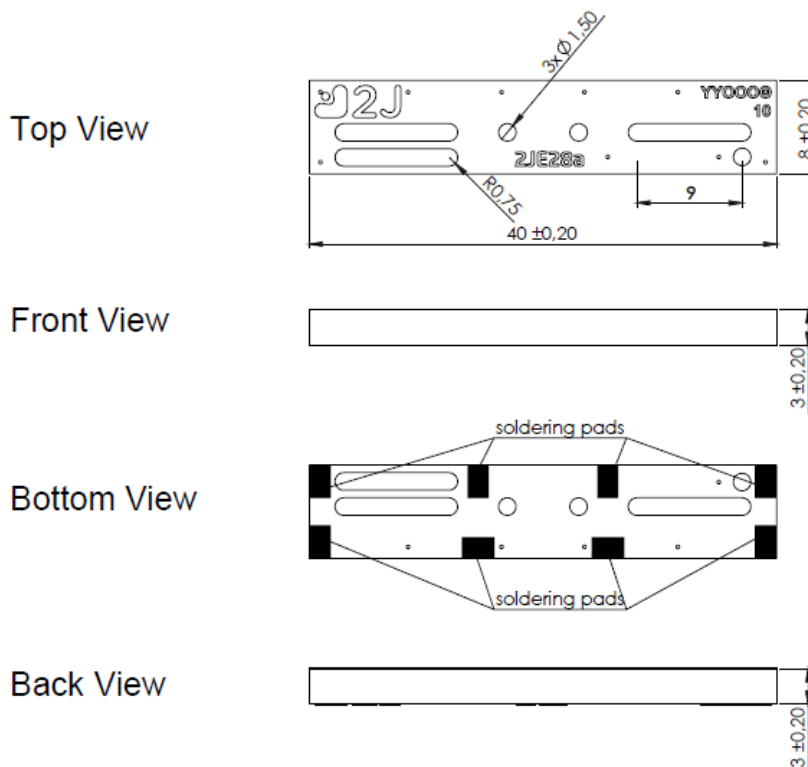
Measurement Conditions:

- Mounted on ground plane of 110 x 40mm
- Measured in certified CTIA 3D Anechoic chamber



2. Mechanical and environmental specifications

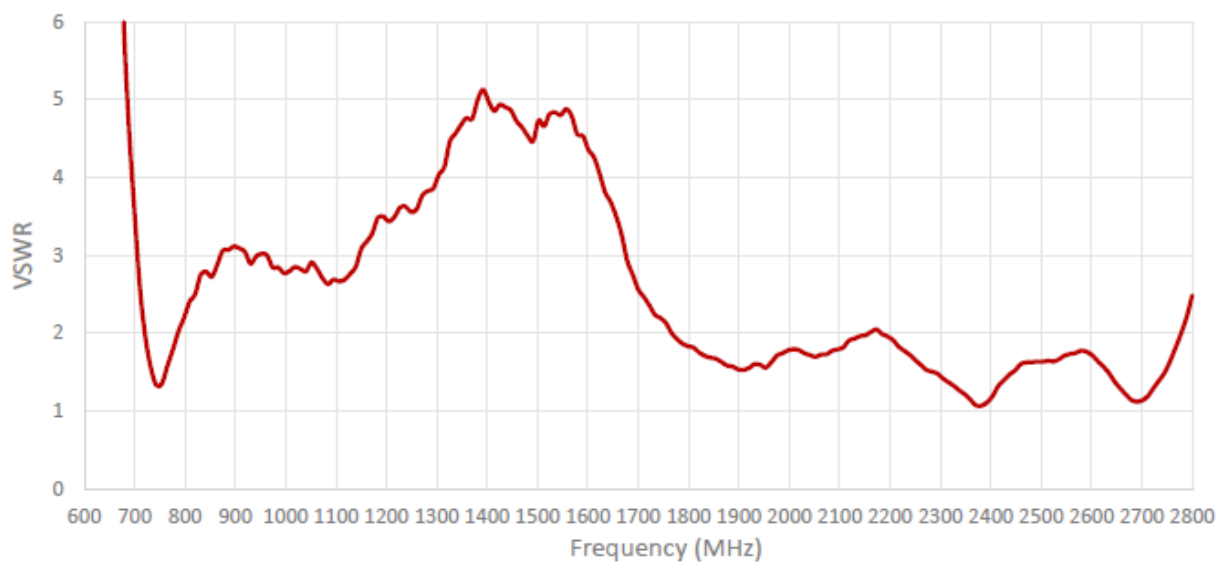
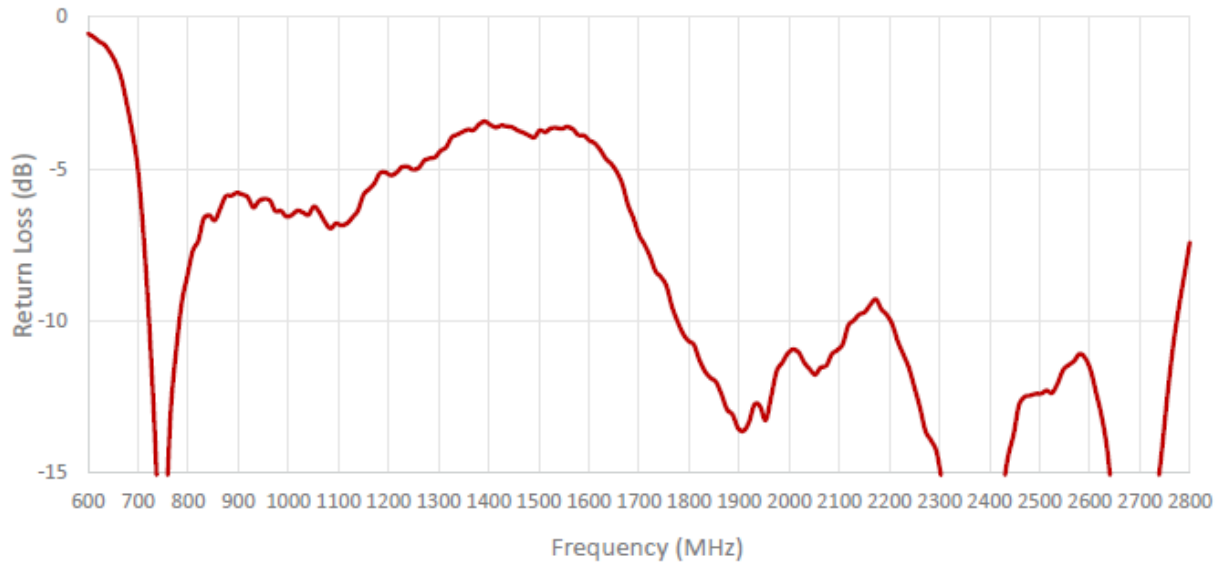
Mounting type	Surface mount
Dimensions (mm)	40 x 8 x 3
Material	Fibreglass
Operating temperature (°C)	-40 to +105
Storage temperature (°C)	-40 to +85
Storage relative humidity (%)	Up to 93 at 30°C
Substance compliance	RoHS
Shear force test	50kgf according to IEC62137-1-2 (2007)

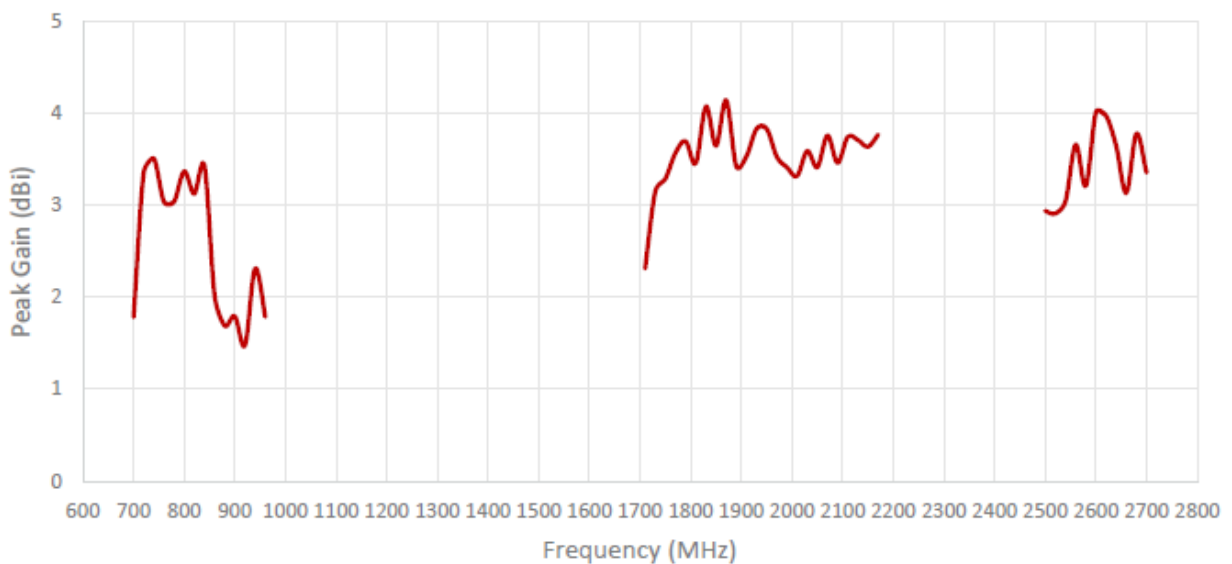
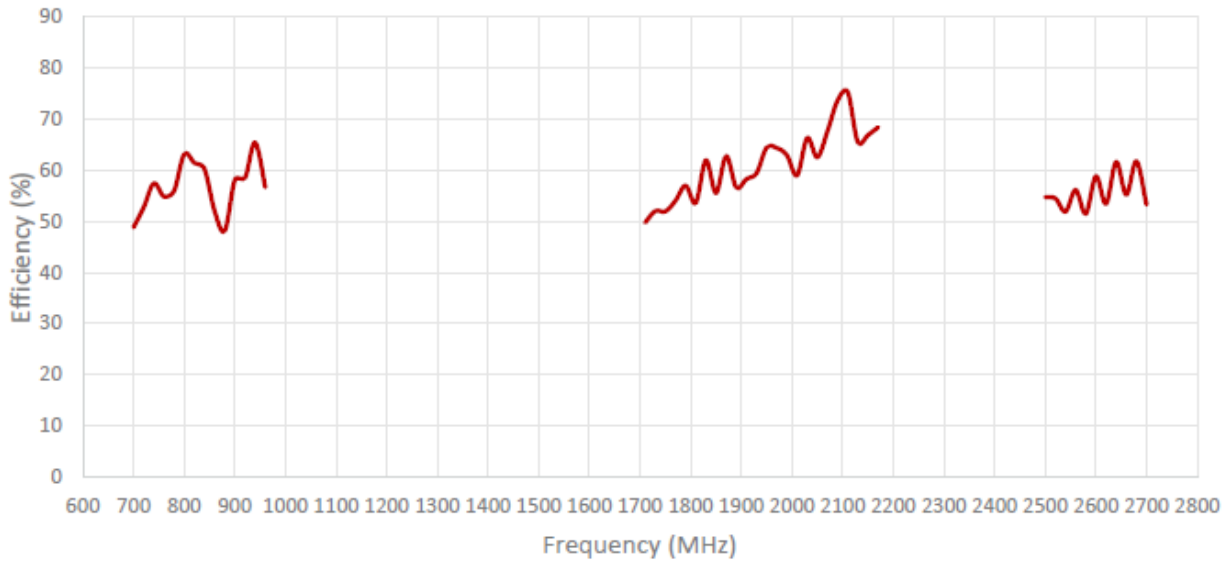


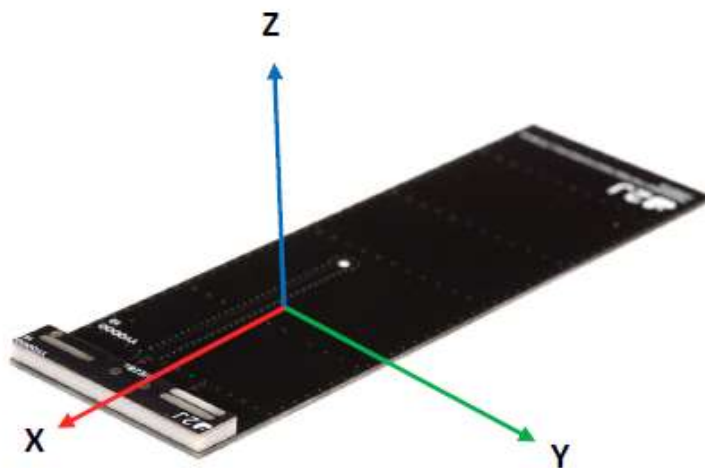
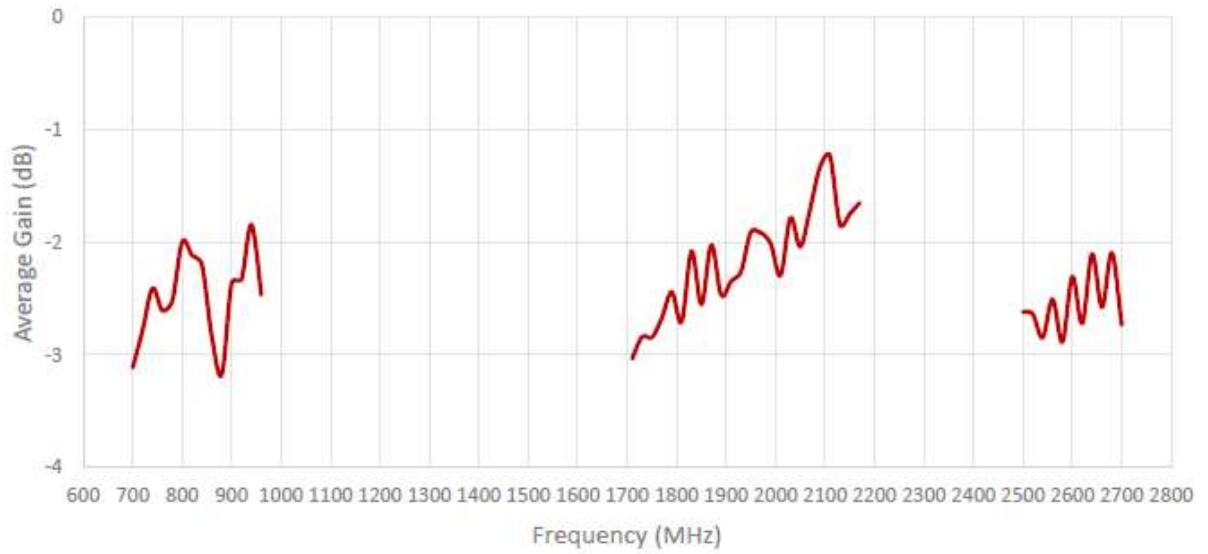
Dimensions for fiberglass antenna $40 \times 8 \times 3$ mm ± 0.2 mm



3. Antenna parameters

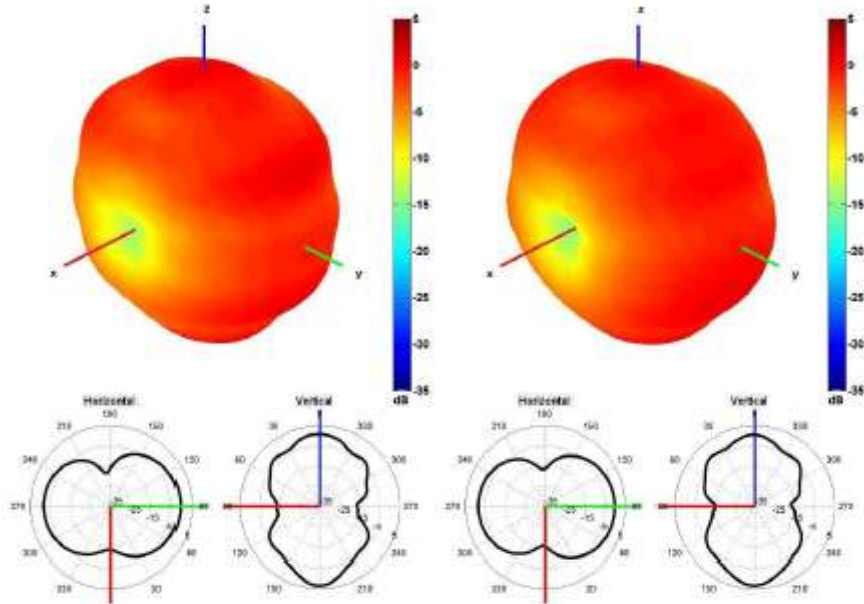




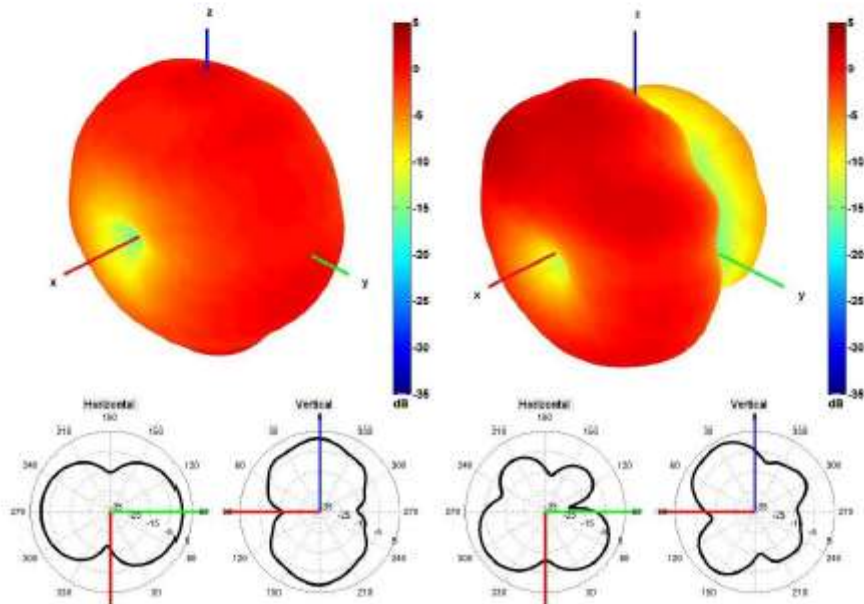


Radiation pattern reference



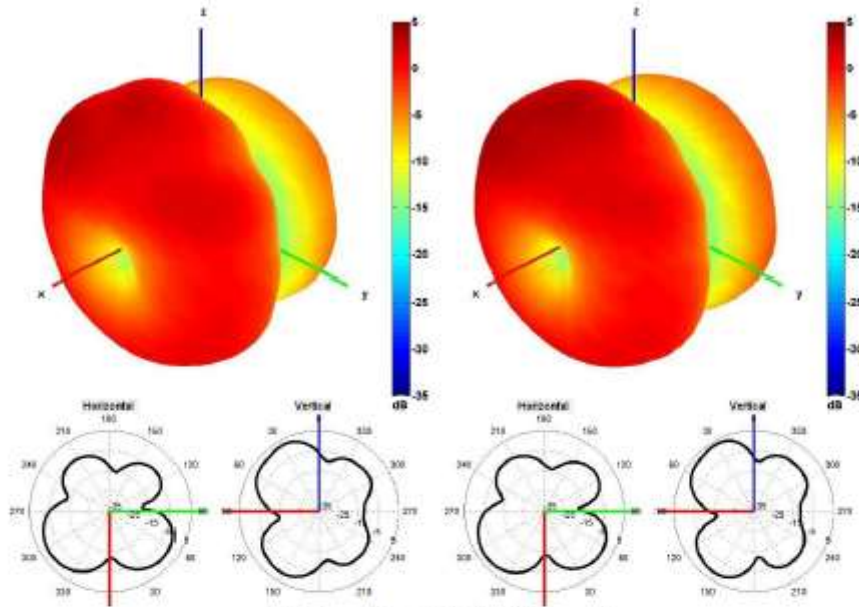


740 and 840 MHz Radiation pattern

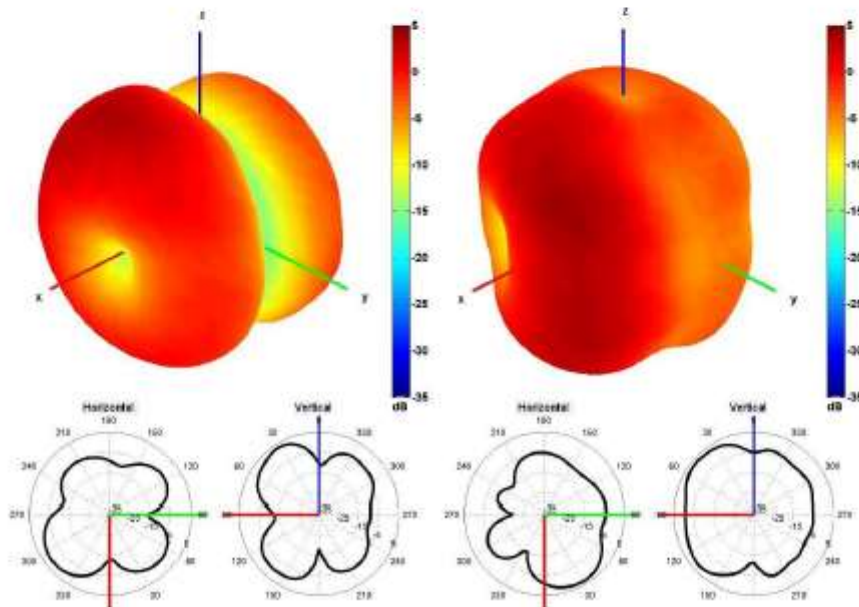


940 and 1750 MHz Radiation pattern





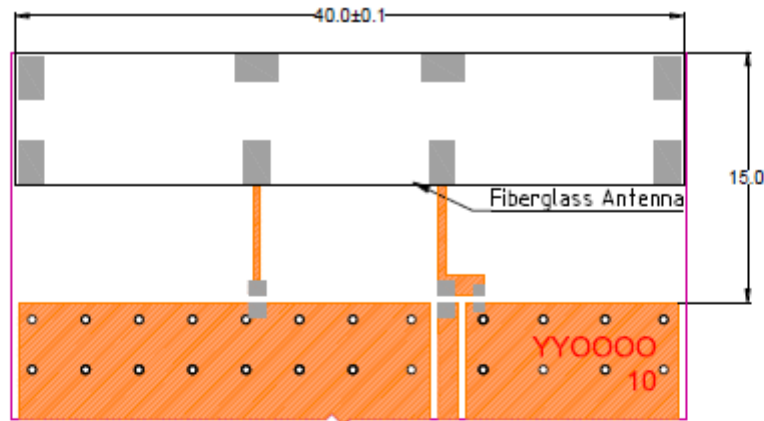
1850 and 1950 MHz Radiation pattern



2100 and 2600 MHz Radiation pattern

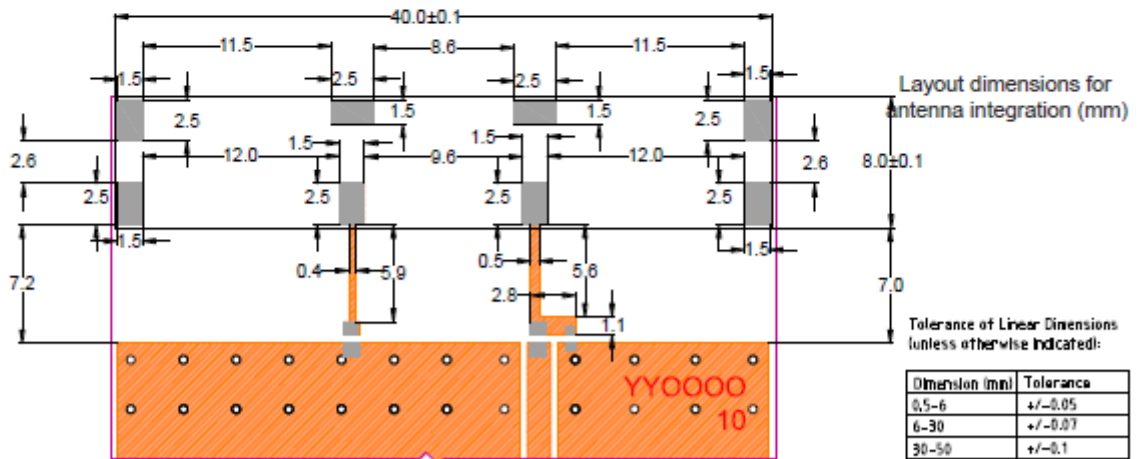


4. PCB layout



Minimum area required for antenna integration (40mm × 15mm)

- Solder Region
- Copper Region
- Copper-Free Region

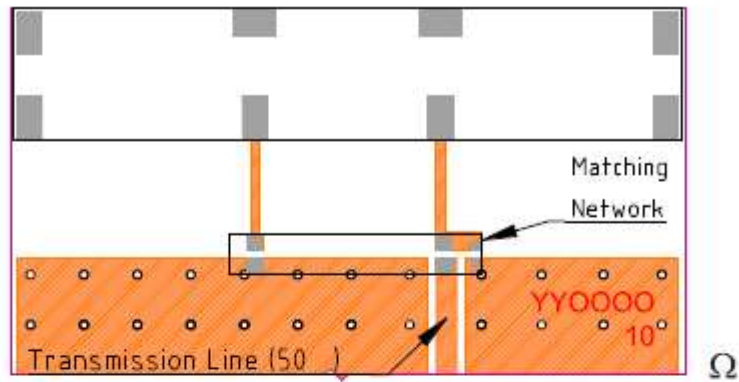


Layout dimensions for antenna integration (mm)

- Solder Region
- Copper Region
- Copper-Free Region

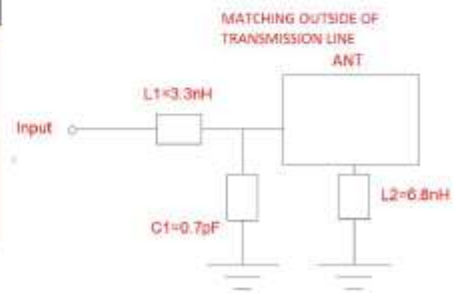


5. Matching components



- Solder Region
- Copper Region
- Copper-Free Region

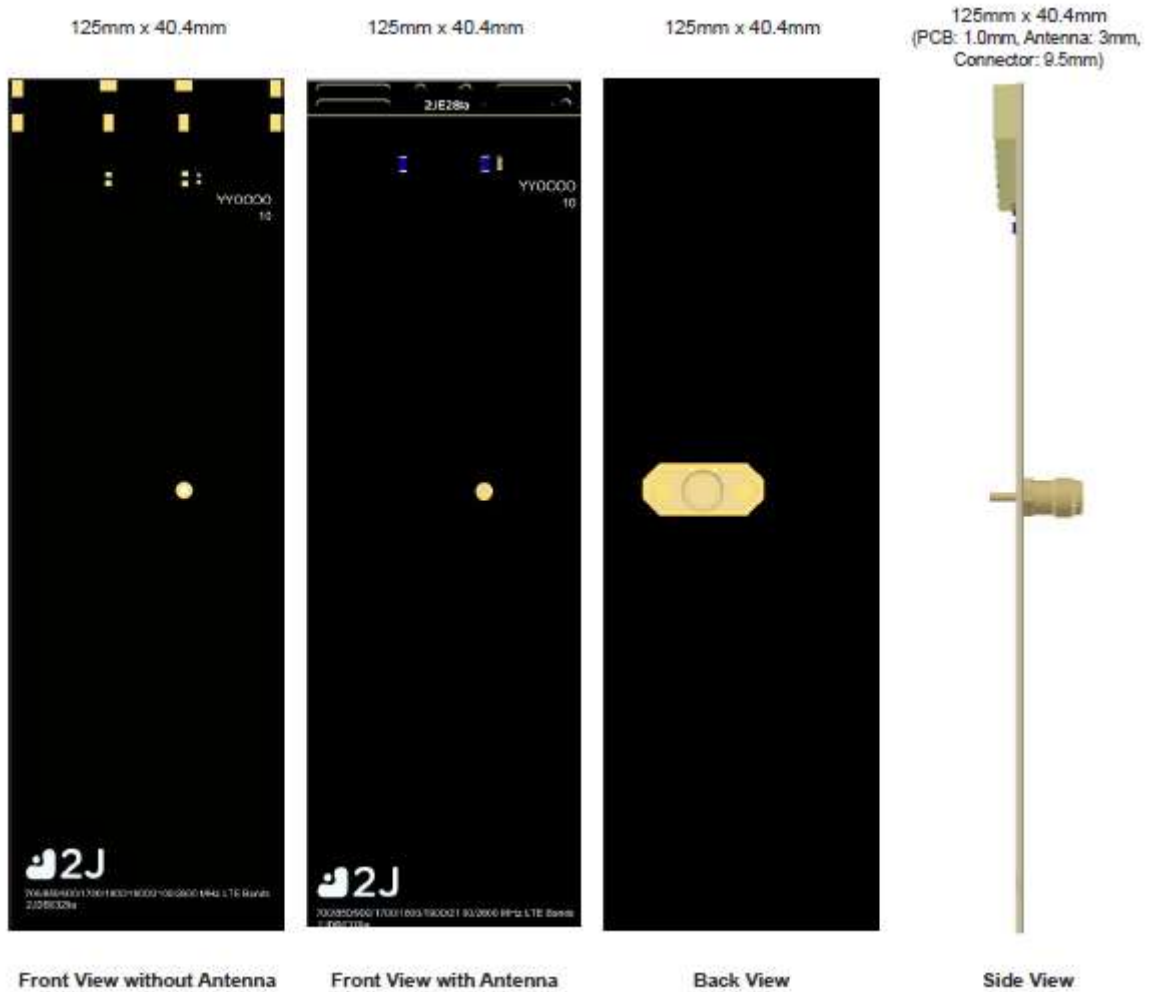
Matching network drawing



3D View of matching components and recommended values



6. Evaluation board



Ordering number: AMC-ANT-2JDB0328a-C711G

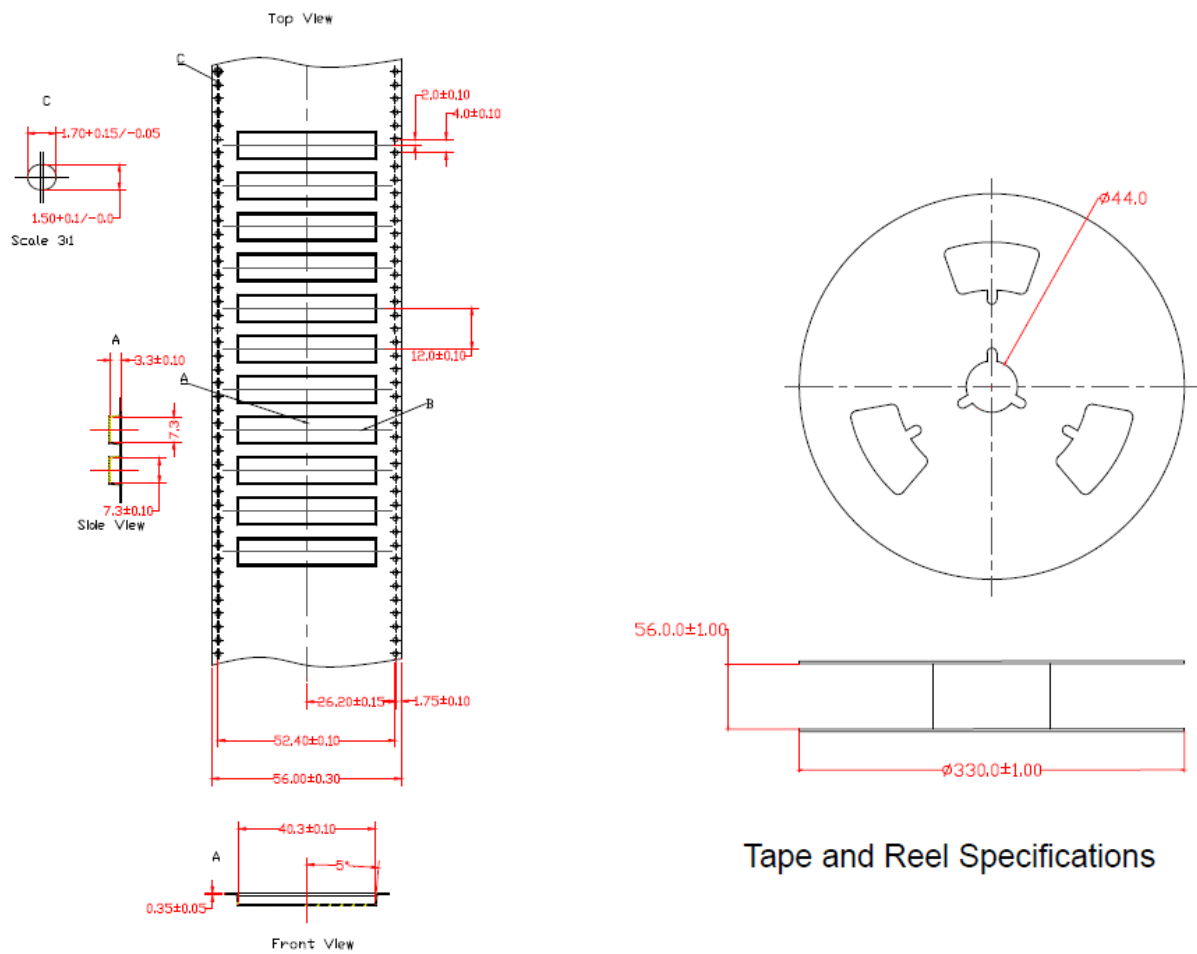


7. Packaging

PACKAGING SPECIFICATION	
Antenna	2JE28a
REEL	
Max Quantity per Reel	1000
REEL CARTON	
Reels per Carton	2
Max Quantity per Carton	2000
Reel Carton Dimensions (cm)	36.5 x 36.5 x 16
Reel Carton Weight (Kg)	5,6
PALLET	
Max Cartons per Pallet	42
Cartons per Layer	6
Number of Layers	7
Max Quantities per Pallet	84,000
Total Cartons Dimensions (cm)	109.5 x 73 x 112
Total Cartons Weight (Kg)	235,2
Pallet size and weight not included above	
Typical Pallet Size (cm)	120 x 100 x 14.4
Typical Pallet Weight (Kg)	5-25



8. Tape and reel information



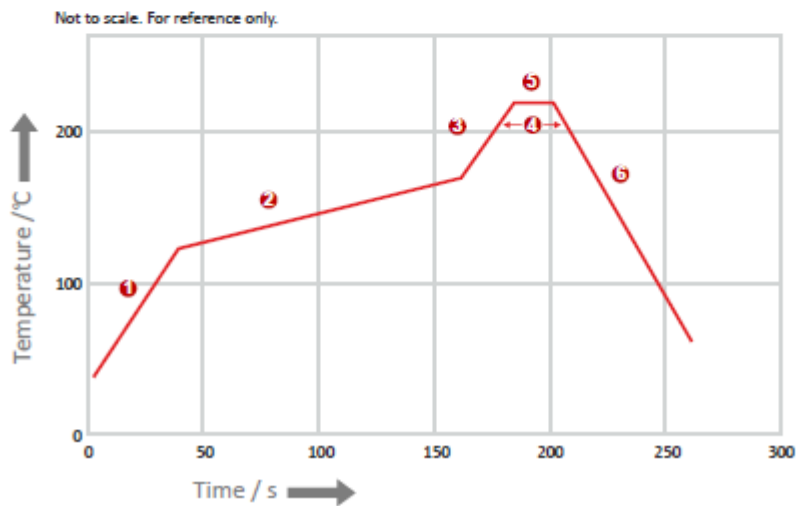
Tape and Reel Specifications



REFLOW TEMPERATURE PROFILE

Minimum Recommended Reflow Profile

Method of heat transfer	Controlled hot air convection
1 Average temperature gradient in preheating	2.5 °C/s
2 Soak time	2-3 minutes
3 Max temperature gradient in reflow	3 °C/s
4 Time above 217 °C	Max 30 sec
5 Peak temperature in reflow	230 °C for 10 seconds
6 Temperature gradient in cooling	Max -5 °C/s



REFLOW TEMPERATURE PROFILE

Maximum Recommended Reflow Profile

Method of heat transfer	Controlled hot air convection
1 Average temperature gradient in preheating	2.5 °C/s
2 Soak time	2-3 minutes
3 Max temperature gradient in reflow	3 °C/s
4 Time above 217 °C	Max 60 sec
5 Time above 230 °C	Max 50 sec
6 Time above 250 °C	Max 10 sec
7 Peak temperature in reflow	260 °C for 5 seconds
8 Temperature gradient in cooling	Max -5 °C/s

