

AMC-ANT-2J2124B-B07H

Cellular/LTE wall mount antenna

Features

- Cellular/LTE:
 - 698 – 960MHz
 - 1710 – 2170MHz
 - 2500 – 2700MHz
- Wall mount
- High performance
- Ground plane independent
- Certificates: IP67
- Dimensions: 272 x 30 x 115mm (220 x \varnothing 16mm)
- Customisable cable and connector



1. Antenna and electrical specifications

Parameters	Cellular/LTE antenna		
Standards	2G/3G/4G		
Band (MHz)	700/850/900	1700/1800/1900/2100	2600
Frequency (MHz)	698 - 960	1710 - 2170	2500 - 2700
Return loss (dB)	~-8.6	~-16.8	~-14.7
VSWR	~2.4:1	~1.4:1	~1.5:1
Efficiency (%)	~54.7	~56.8	~48.8
Peak gain (dBi)	~2.2	~3.0	~0.4
Average gain (dB)	~-2.7	~-2.5	~-3.1
Impedance (Ohms)	50		
Polarisation	Linear		
Radiation pattern	Omni-Directional		
Max. input power (W)	25		
Connector Type	SMA male (nickel) standard (other connectors available)		
Cable Length	3m standard (other lengths available)		
Cable Type	LMR195 standard (other cables available)		

Measurement conditions:

- Free space
- 200cm LMR195 cable
- Measured in certified CTIA 3D Anechoic chamber

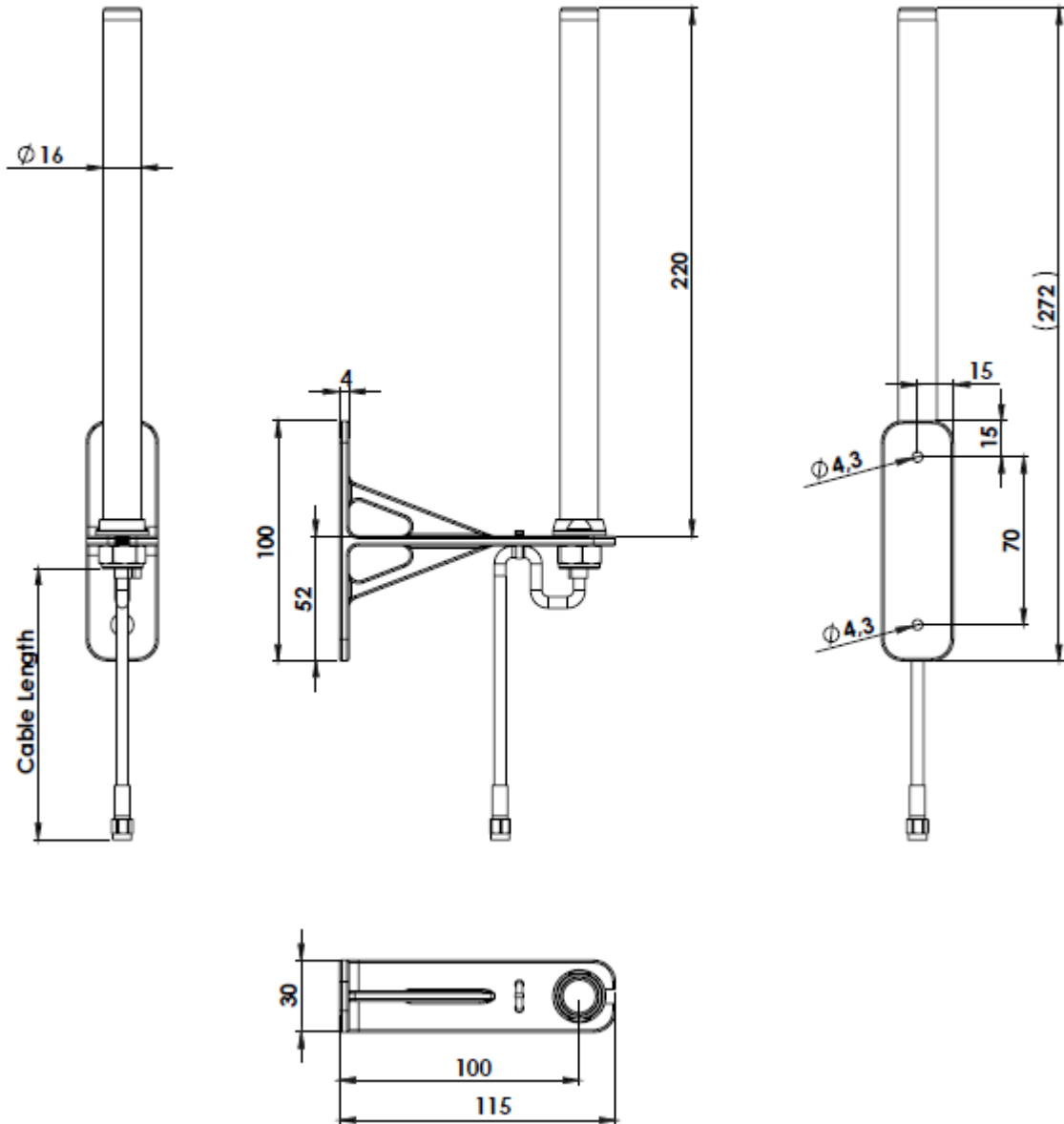


2. Mechanical and environmental specifications

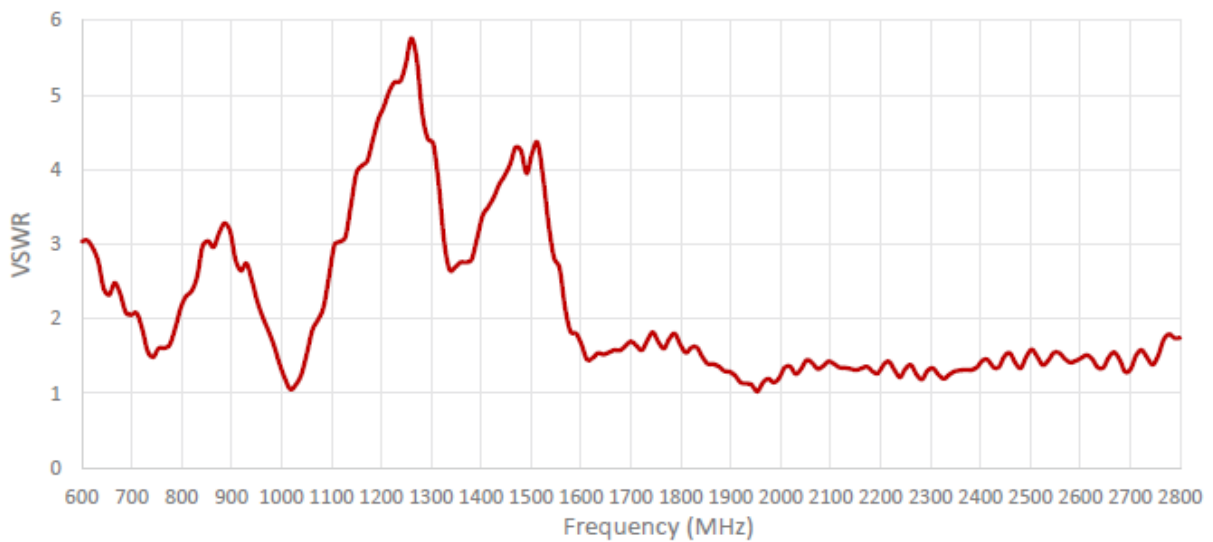
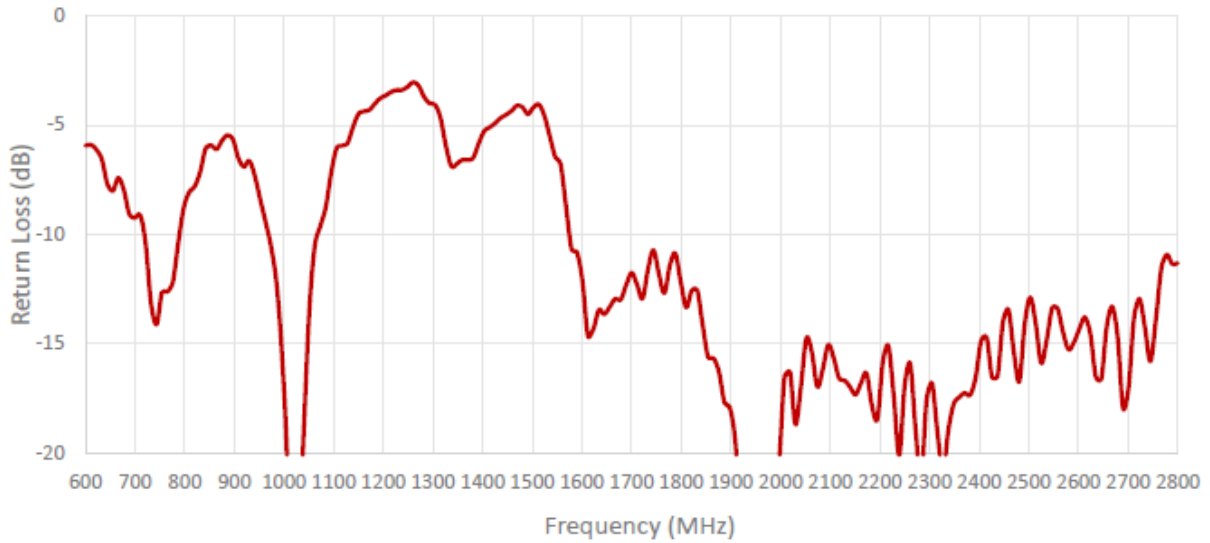
Mounting type	Wall mount
Dimensions (mm)	272 x 30 x 115 (220 x Ø 16)
Radome	ASA
Radome Colour	Black or white
Antenna Base	Brass
Bracket	ASA
Operating temperature (°C)	-40 to +85
Storage temperature (°C)	-40 to +85
Substance compliance	RoHS
Certificates	IP67

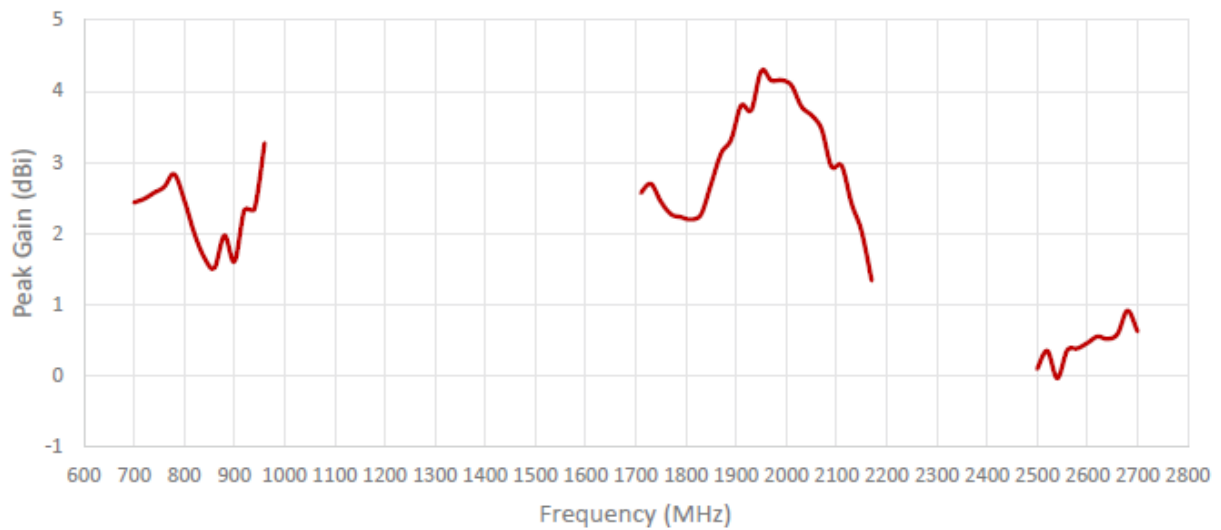
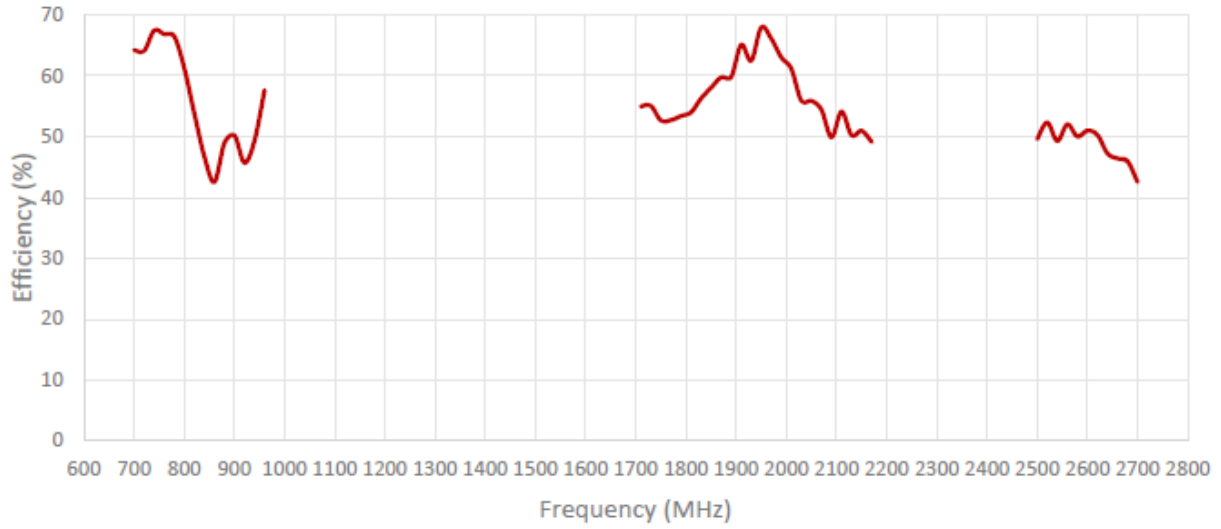


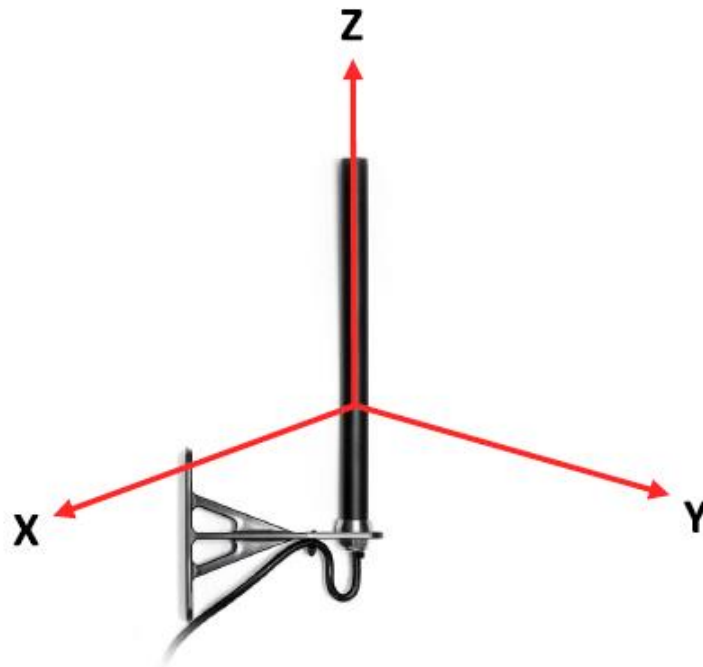
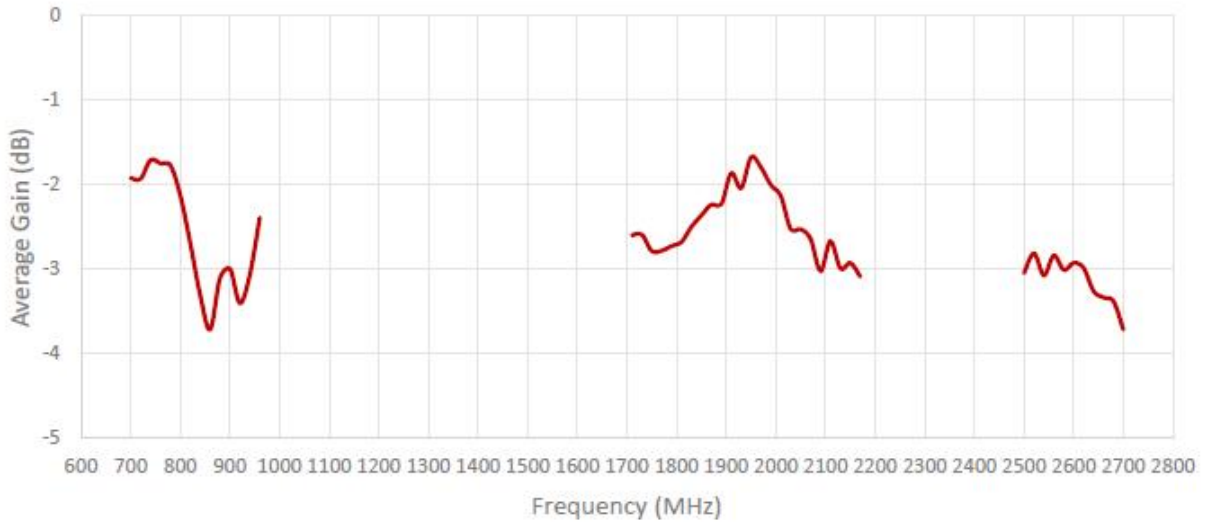
3. Antenna drawings



4. Antenna parameters

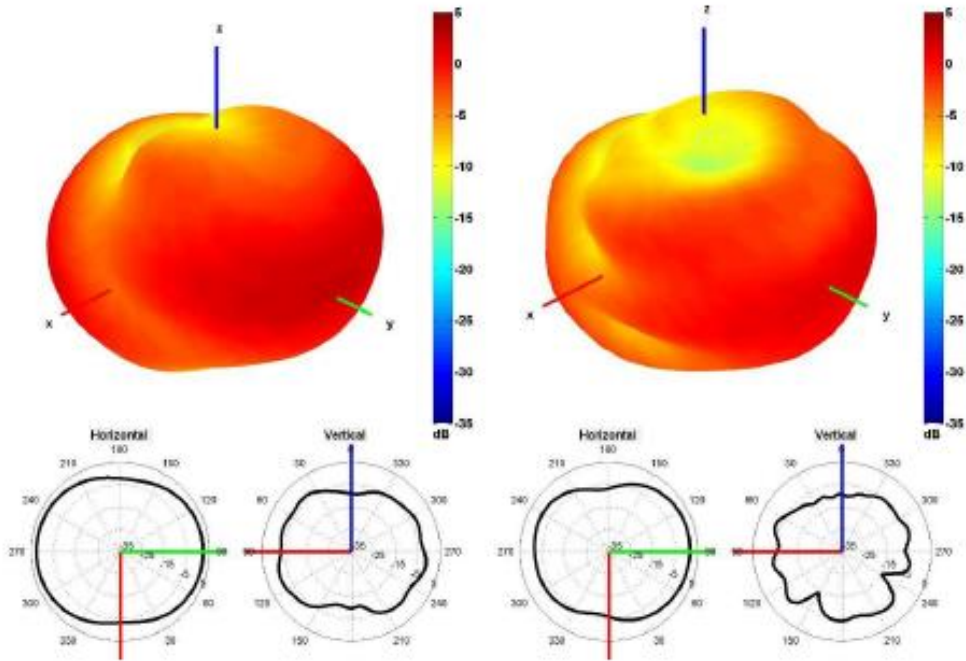




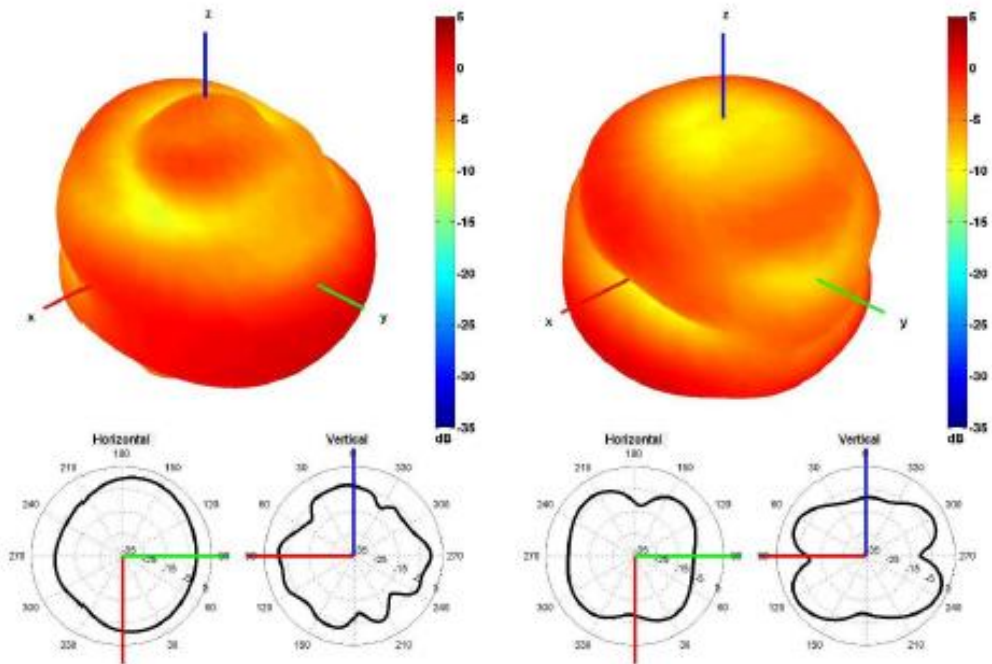


Radiation pattern reference



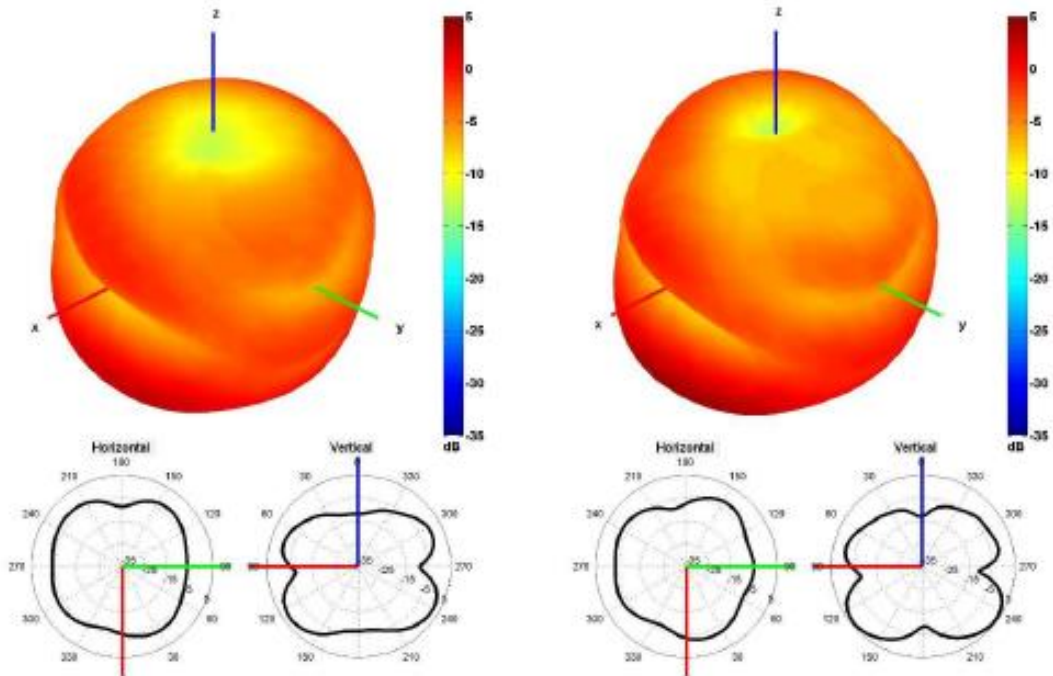


750 and 850 MHz Radiation pattern

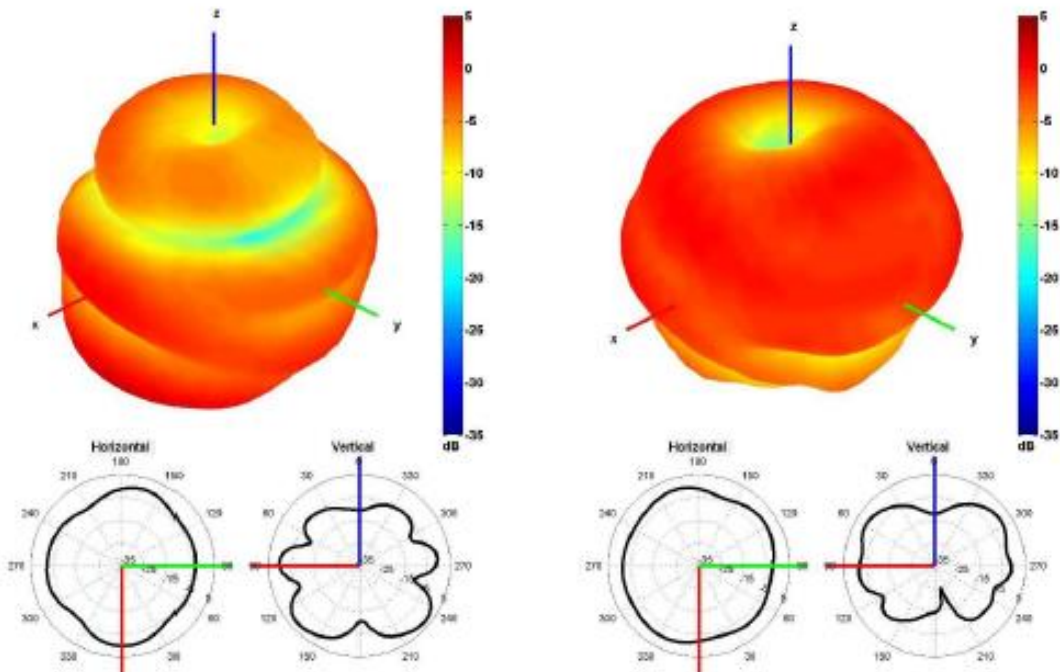


940 and 1750 MHz Radiation pattern





1850 and 1950 MHz Radiation pattern



2100 and 2600 MHz Radiation pattern

