

AMC-ANT-2J4715B-868

868MHz ISM screw mount antenna

Features

- 868MHz ISM
 - 863 - 870MHz
- Screw mount
- Low profile
- Ground plane independent
- Optional thread depths – 19mm (default), 8.5mm, 30mm
- Dimensions: 17.5 x Ø 52mm
- Certificates: IP69K
- Customisable cable and connector



1. Antenna and electrical specifications

Parameters	868MHz ISM antenna
Standards	LoRa, Sigfox, ZigBee, ISM
Band (MHz)	868
Frequency (MHz)	863 - 870
Return Loss (dB)	~-21.3
VSWR	~1.2:1
Efficiency (%)	~33.4
Peak Gain (dBi)	~2.6
Average Gain (dB)	~-4.7
Impedance (Ohms)	50
Polarisation	Linear
Radiation Pattern	Omni-directional
Max. Input Power (W)	25
Connector Type	SMA male standard (other connectors available)
Cable Length	300cm standard (other lengths available)
Cable Type	RG174 standard (other cables available)

Antenna measurement conditions:

- Mounted on 30 x 30 x 0.25cm metal plate
- 200cm RG174 cable
- Measured in certified CTIA 3D anechoic chamber



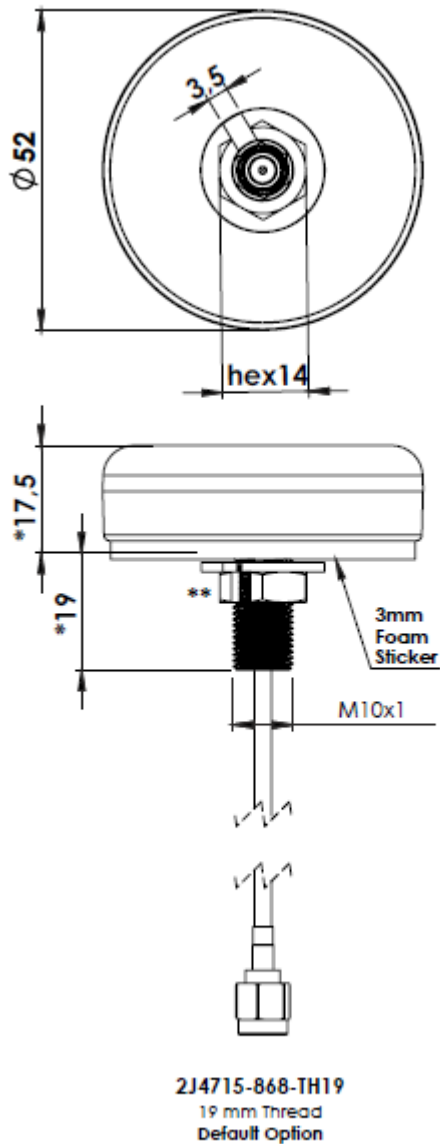
2. Mechanical and environmental specifications

Mounting Type	Screw mount
Dimensions (mm)	17.5 x Ø 52
Max. Tighten Torque (Nm)	4
Radome	ASA
Radome Colour	Black
Antenna Base	ASA
Operating Temperature (°C)	-40 to +85
Storage Temperature (°C)	-40 to +85
Substance Compliance	RoHS
Certificates	IP69K

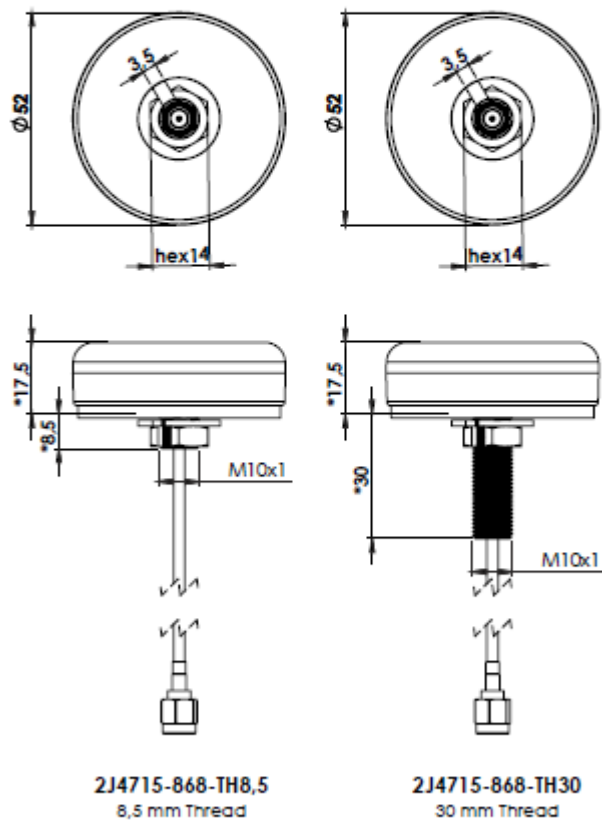


3. Antenna drawings

Default Thread Option



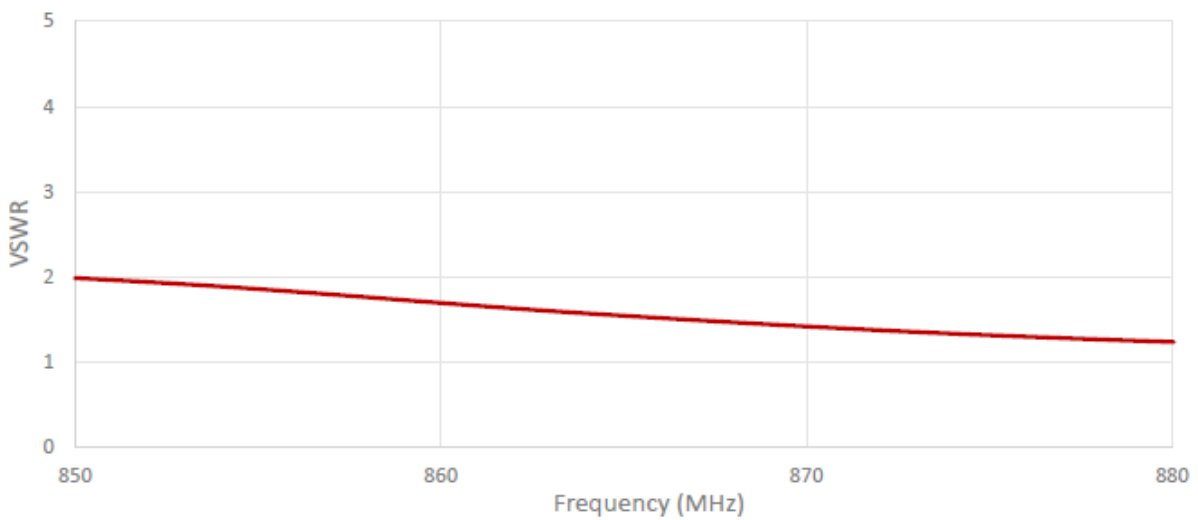
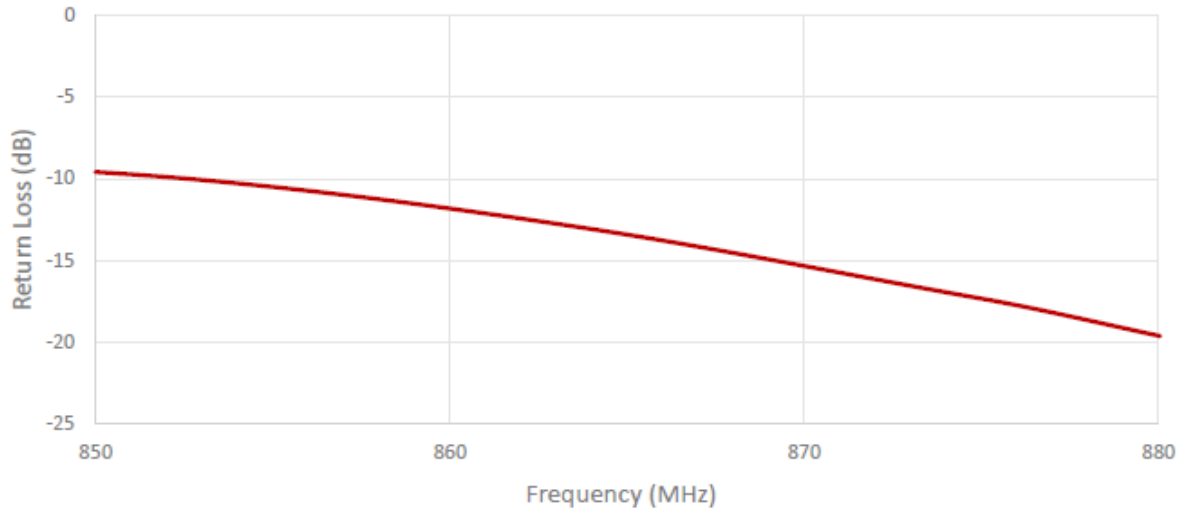
Other Thread Options available

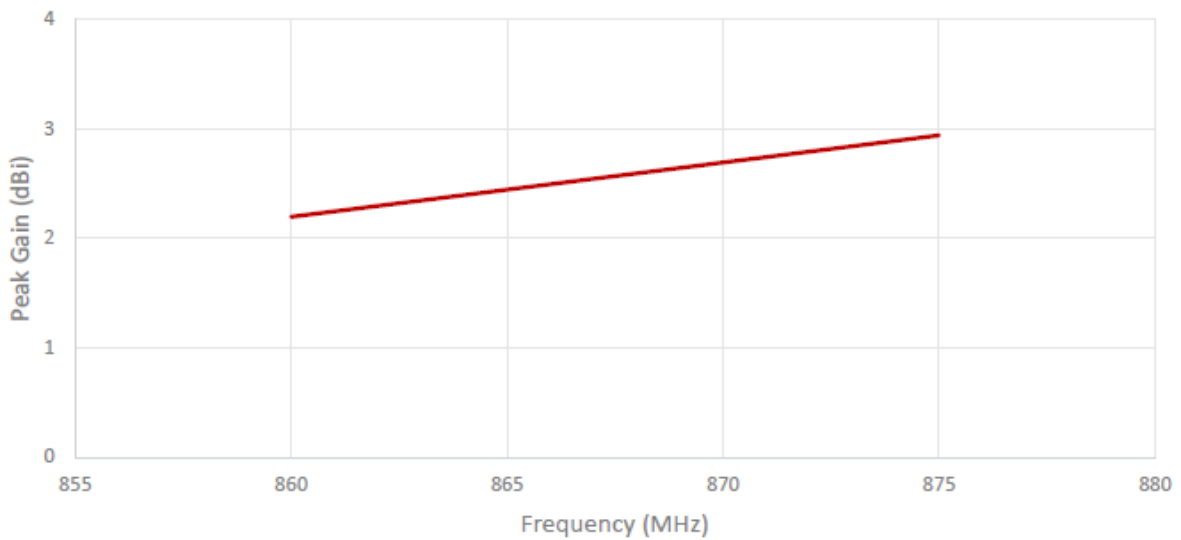
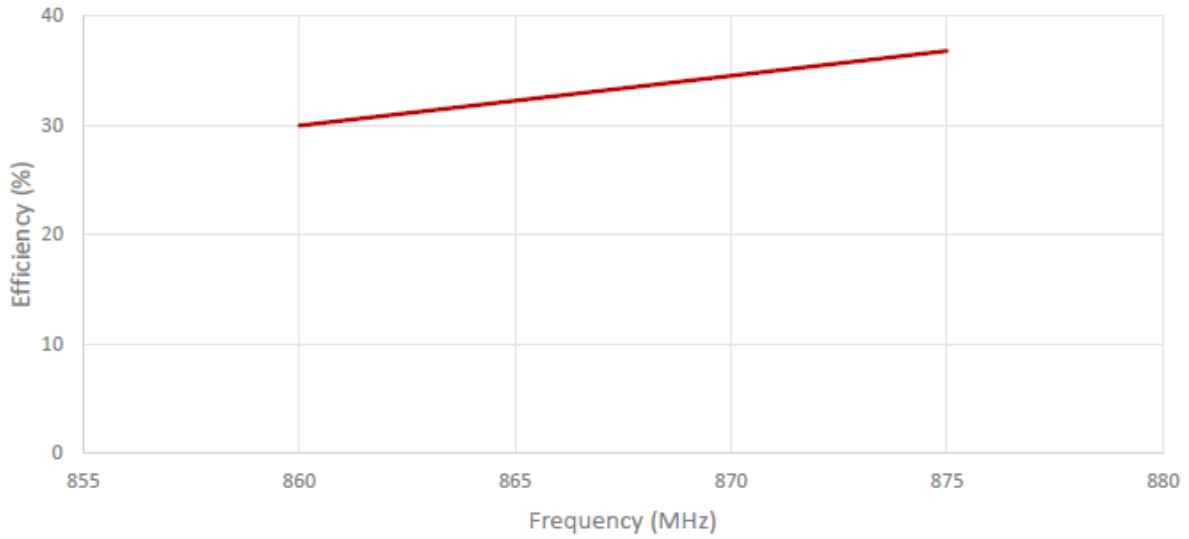


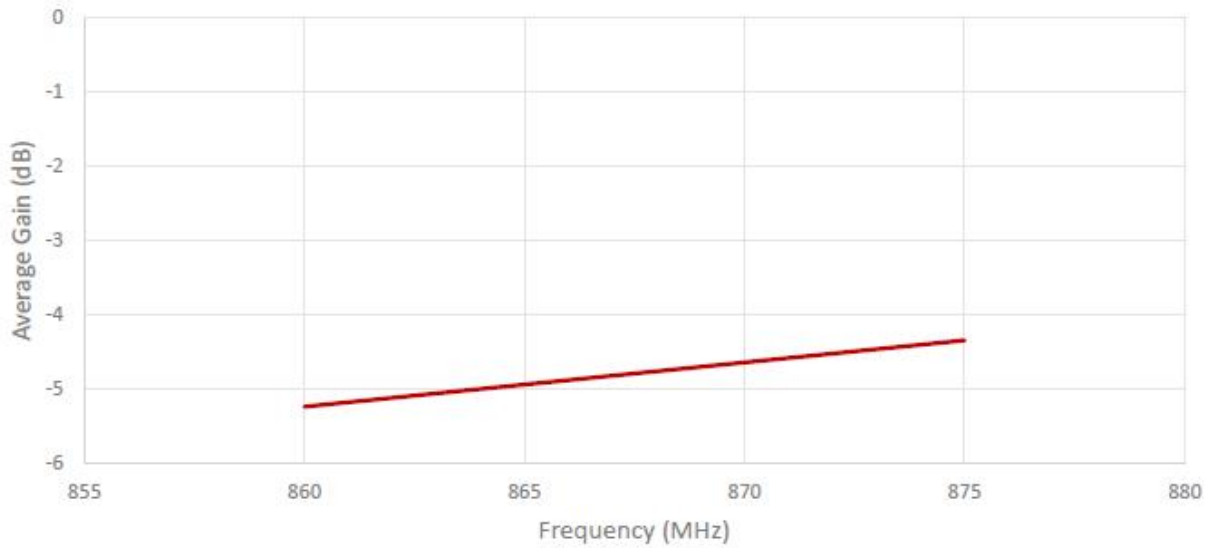
*Dimensions after mounting
**Max. Torque= 4 Nm



4. Antenna parameters

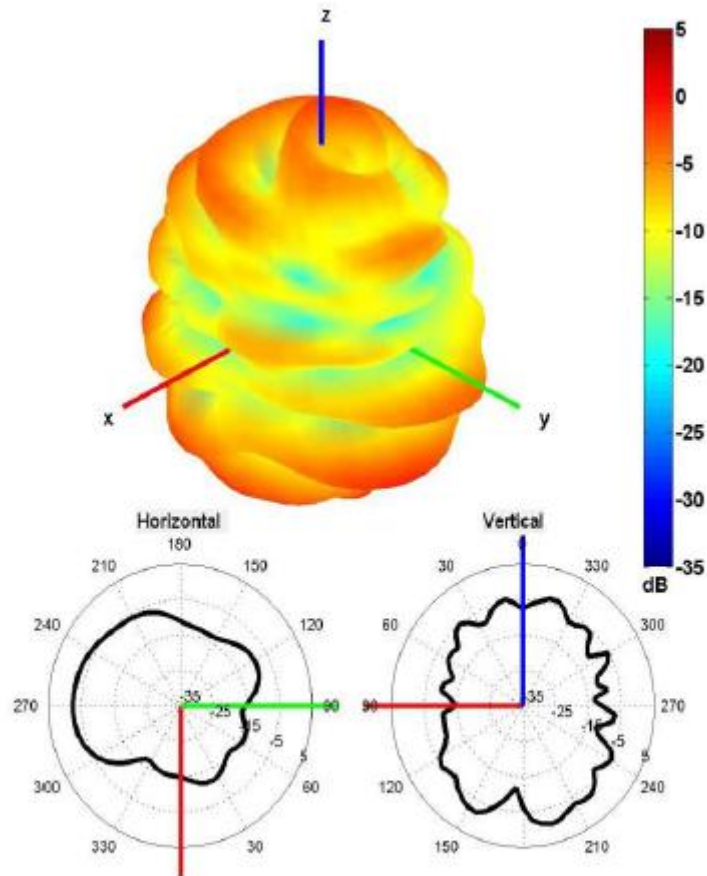






Radiation pattern reference





868 MHz Radiation pattern

