

## AMC-ANT-2JW0815-433-C20N

433MHz ISM connector mount antenna

### Features

- 433MHz ISM
  - 433 - 435MHz
- Connector mount
- Low profile
- Ground plane dependent
- Dimensions: 137.3 x  $\varnothing$  15.7mm



## 1. Antenna and electrical specifications

<b>Parameters</b>	433MHz ISM antenna
<b>Standards</b>	ISM, LoRa
<b>Band (MHz)</b>	433
<b>Frequency (MHz)</b>	433 - 435
<b>Return Loss (dB)</b>	~-7.2
<b>VSWR</b>	~2.5:1
<b>Efficiency (%)</b>	~50.3
<b>Peak Gain (dBi)</b>	~-0.5
<b>Average Gain (dB)</b>	~-3.0
<b>Impedance (Ohms)</b>	50
<b>Polarisation</b>	Linear
<b>Radiation Pattern</b>	Omni-directional
<b>Max. Input Power (W)</b>	25
<b>Connector Type</b>	SMA male standard

### Antenna measurement conditions:

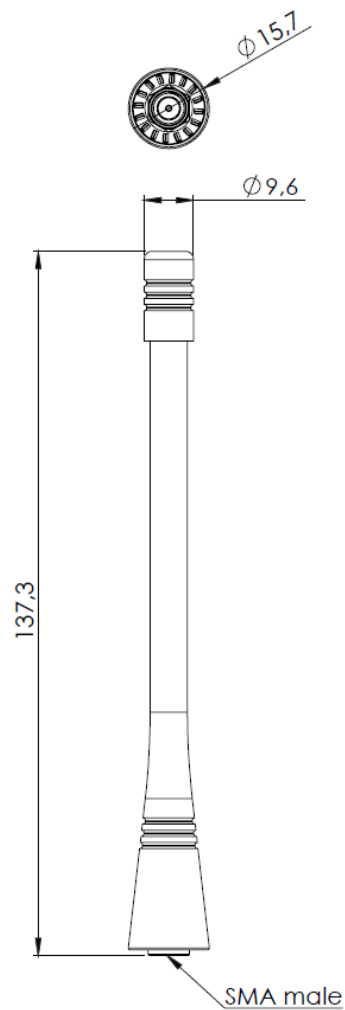
- Mounted on ground plane of 150 x 50mm
- Measured in certified CTIA 3D anechoic chamber



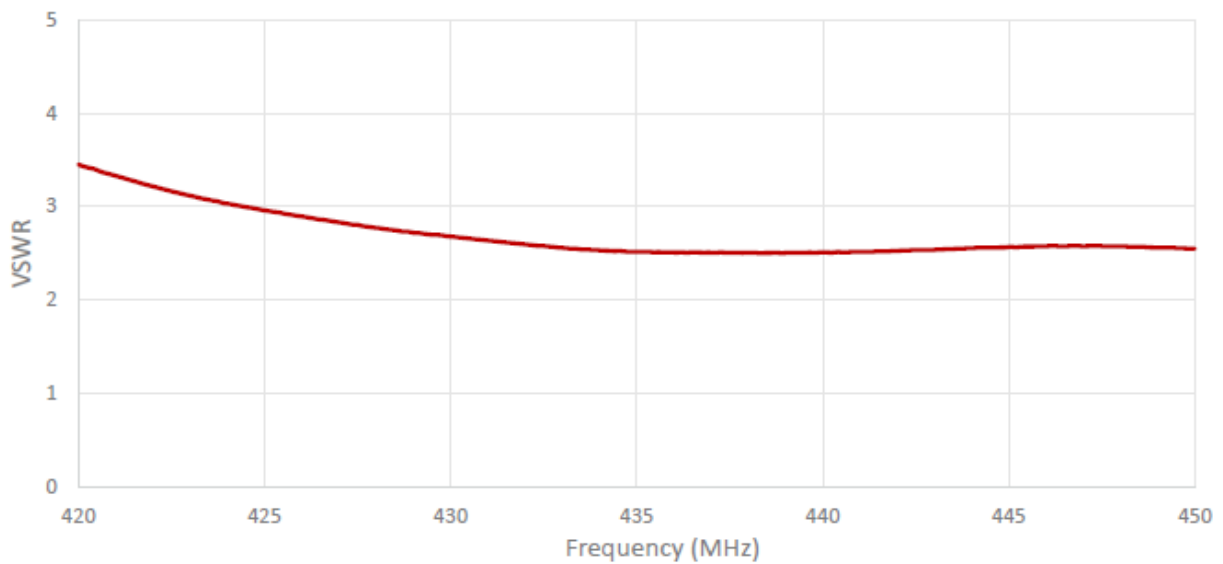
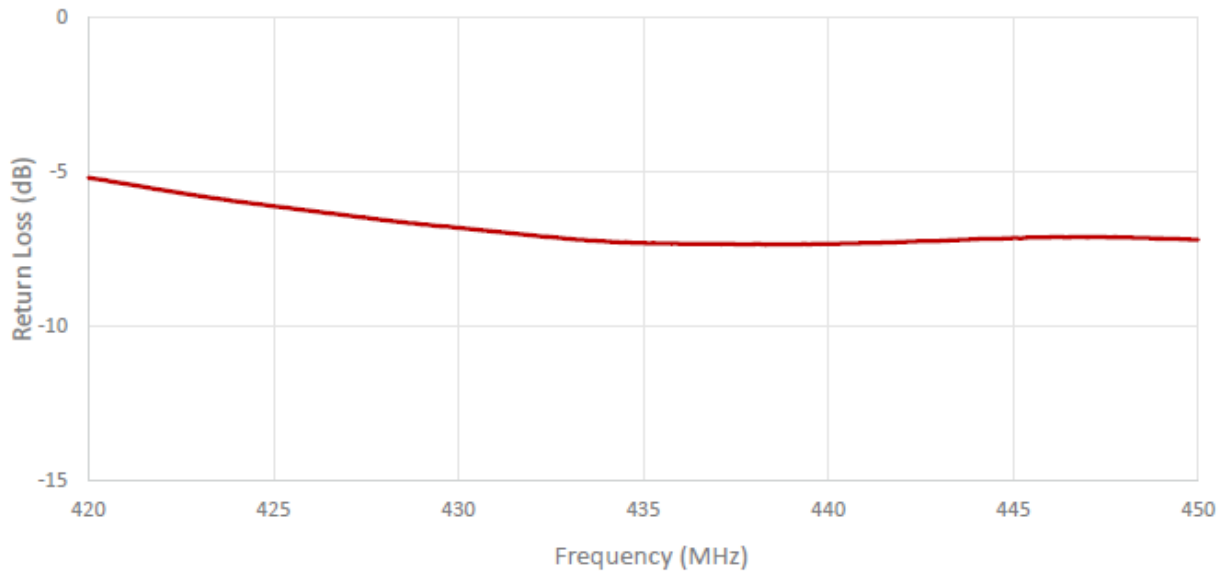
## 2. Mechanical and environmental specifications

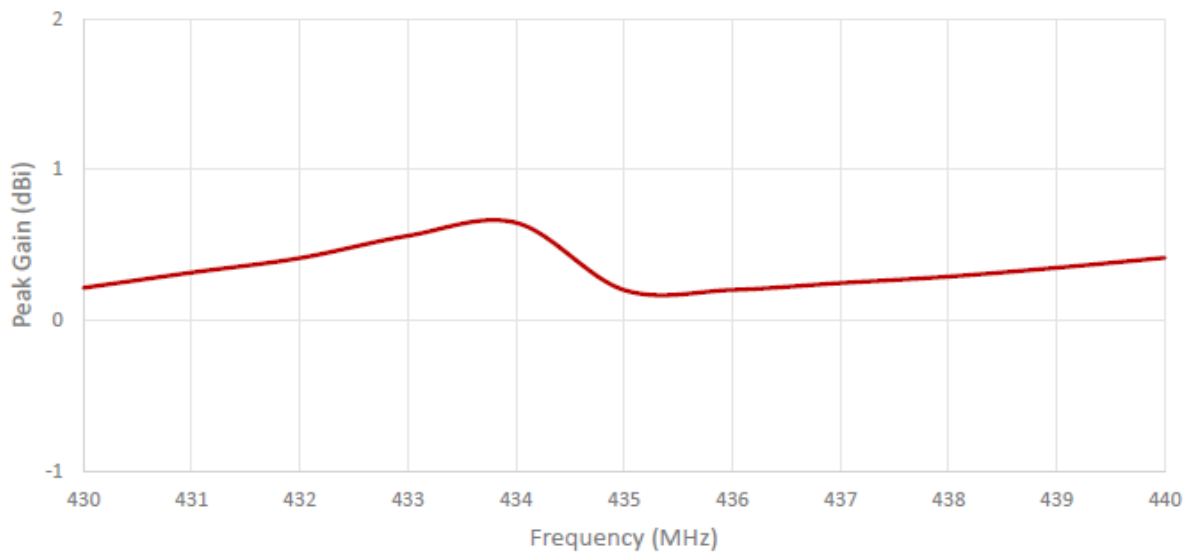
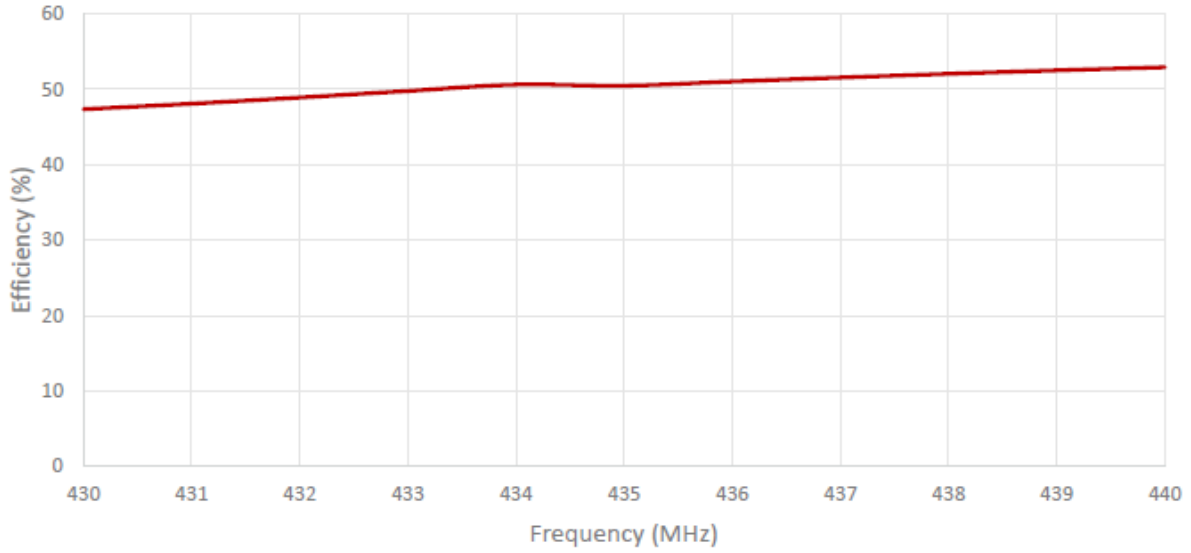
<b>Mounting Type</b>	Connector mount
<b>Dimensions (mm)</b>	137.3 x $\varnothing$ 15.7
<b>Radome</b>	TPC-ET
<b>Radome Colour</b>	Black
<b>Operating Temperature (°C)</b>	-40 to +85
<b>Storage Temperature (°C)</b>	-40 to +85
<b>Substance Compliance</b>	RoHS

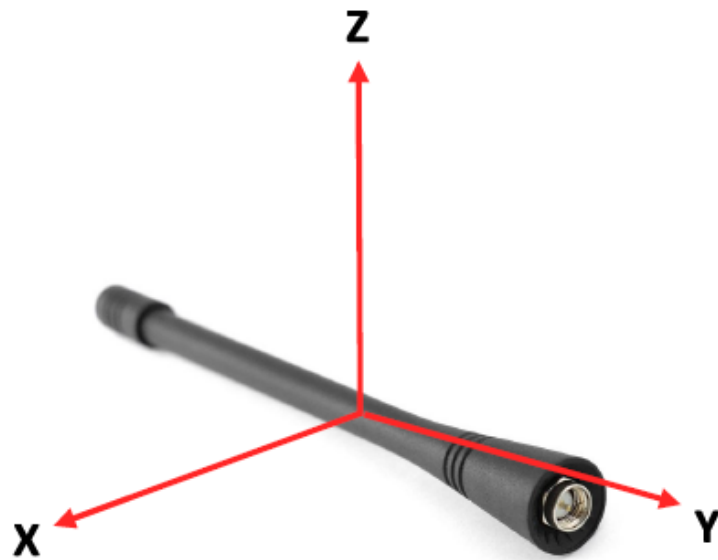
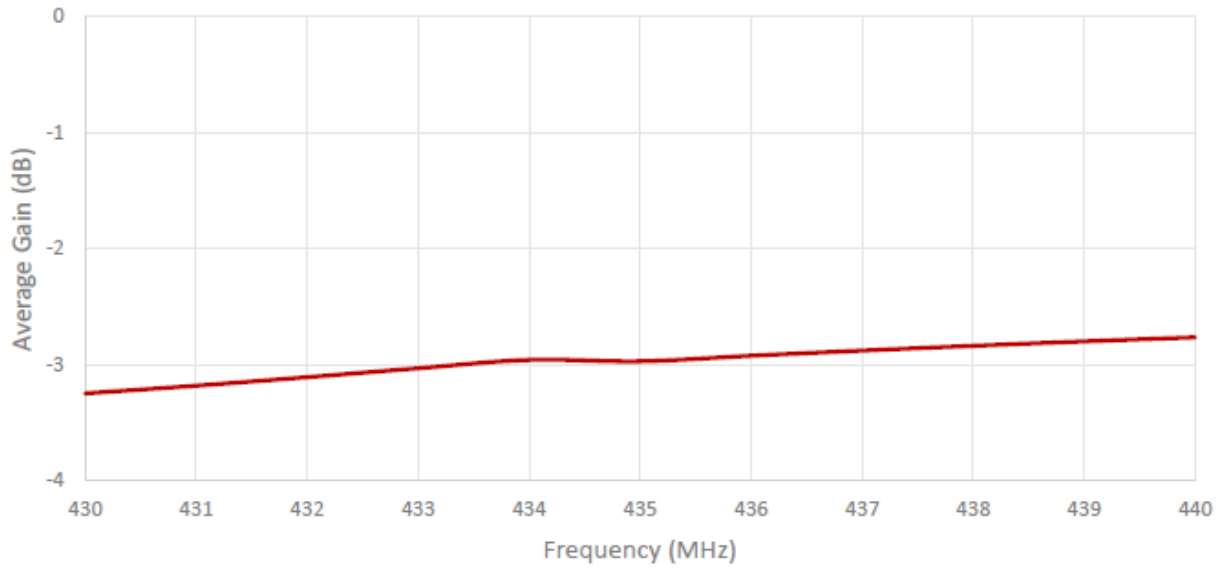
## 3. Antenna drawings



#### 4. Antenna parameters

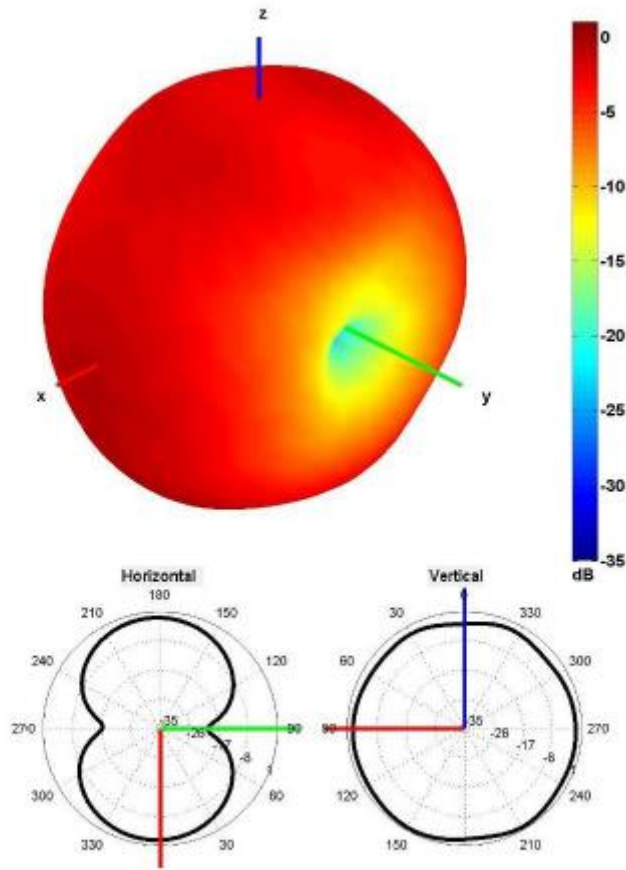






Radiation pattern reference





433 MHz Radiation pattern

