

AMC-ANT-2J4702B

2.4/5.0/6.0GHz screw mount antenna

Features

- 2.4/5.0/6.0GHz ISM
 - 2410 – 2490MHz
 - 4920 – 7125MHz
- Screw mount
- Low profile
- Ground plane dependent
- Thread depth options (8.5mm/19mm (default)/30mm)
- Certificates: IP69K
- Dimensions: \varnothing 52 x 17.5mm
- Customisable cable and connector



1. Antenna and electrical specifications

Parameters	2.4/5.0/6.0GHz Antenna		
Standards	Wi-Fi, Bluetooth, ZigBee, ISM		
Band (GHz)	2.4	5.0	6.0
Frequency (MHz)	2410 - 2490	4920 - 5925	5925 - 7125
Return Loss (dB)	~-7.4	~-14.9	~-9.6
VSWR	~2.5:1	~1.5:1	~2.1:1
Efficiency (%)	~35.8	~28.4	~25.2
Peak Gain (dBic)	~3.5	~2.9	~2.9
Average Gain (dB)	~-4.5	~-5.5	~-6.2
Impedance (Ohms)	50		
Polarisation	Linear		
Radiation Pattern	Omni-directional		
Max. Input Power (W)	25		
Connector Type	SMA male standard (other connectors available)		
Cable Length	300cm standard (other lengths available)		
Cable Type	RG174 standard (other cables available)		

Measurement conditions:

- Mounted on 30cm x 30cm metal plate
- 100cm RG174 cable
- Measured in certified CTIA 3D anechoic chamber



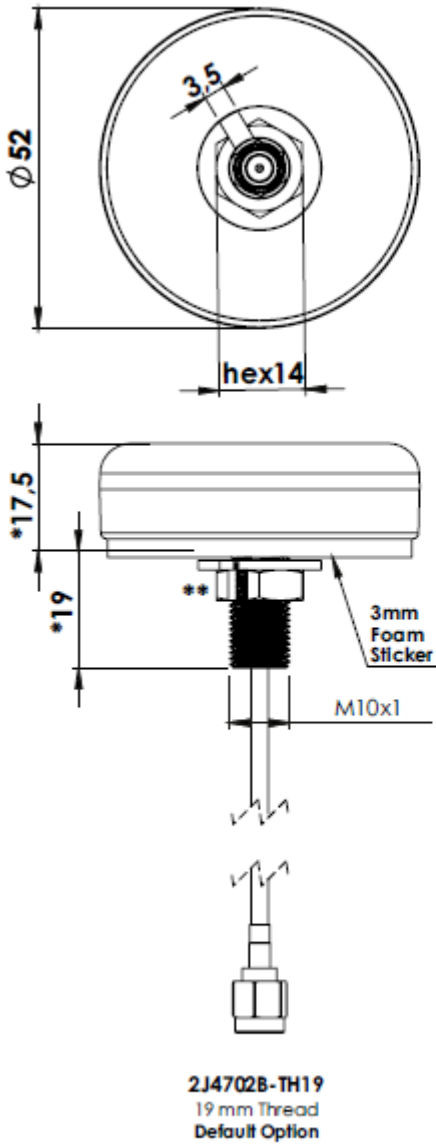
2. Mechanical and environmental specifications

Mounting Type	Screw mount
Dimensions (mm)	Ø 52 x 17.5
Max. Tighten Torque (Nm)	4
Radome	ASA
Colour	Black
Operating Temperature (°C)	-40 to +85
Storage Temperature (°C)	-40 to +85
Certificates	IP69K
Substance Compliance	RoHS

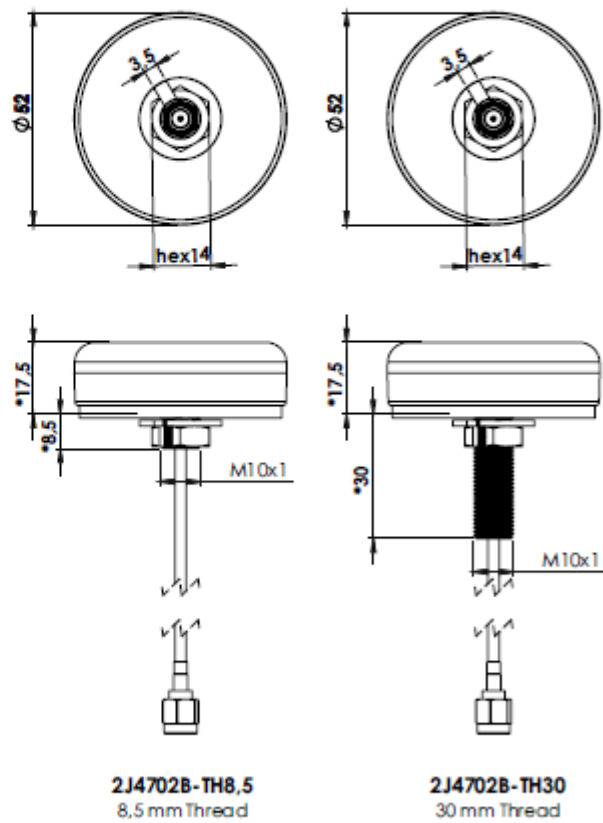


3. Antenna drawings

Default Thread Option



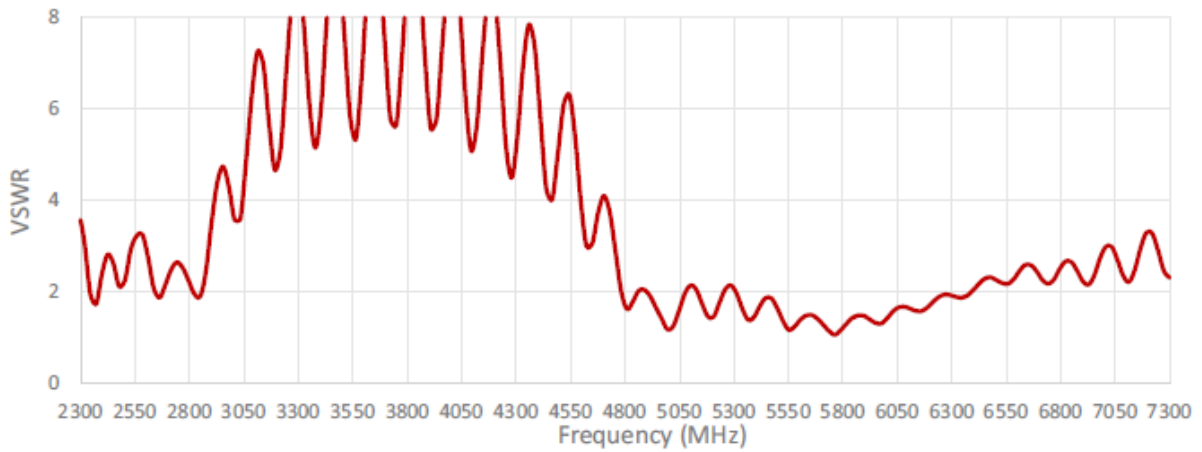
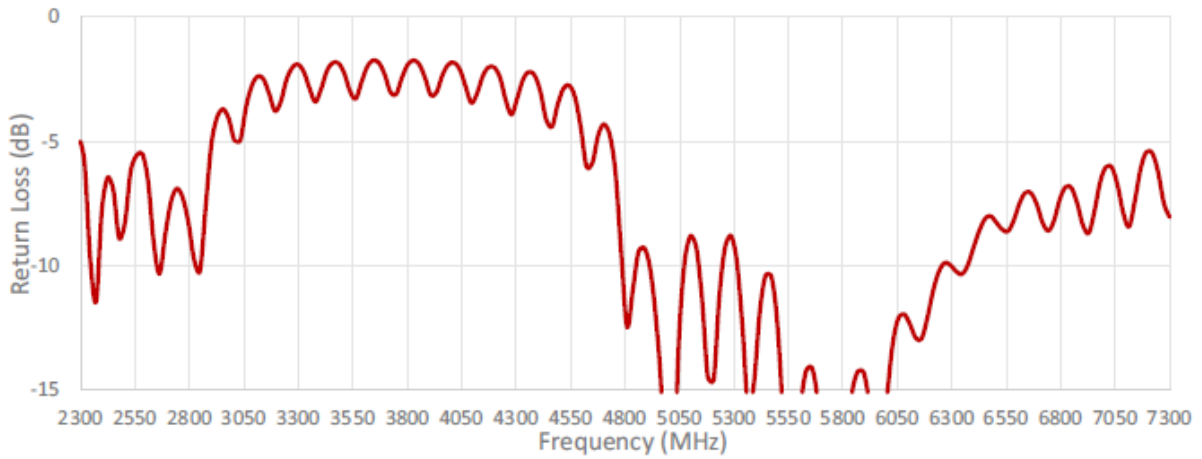
Other Thread Options available

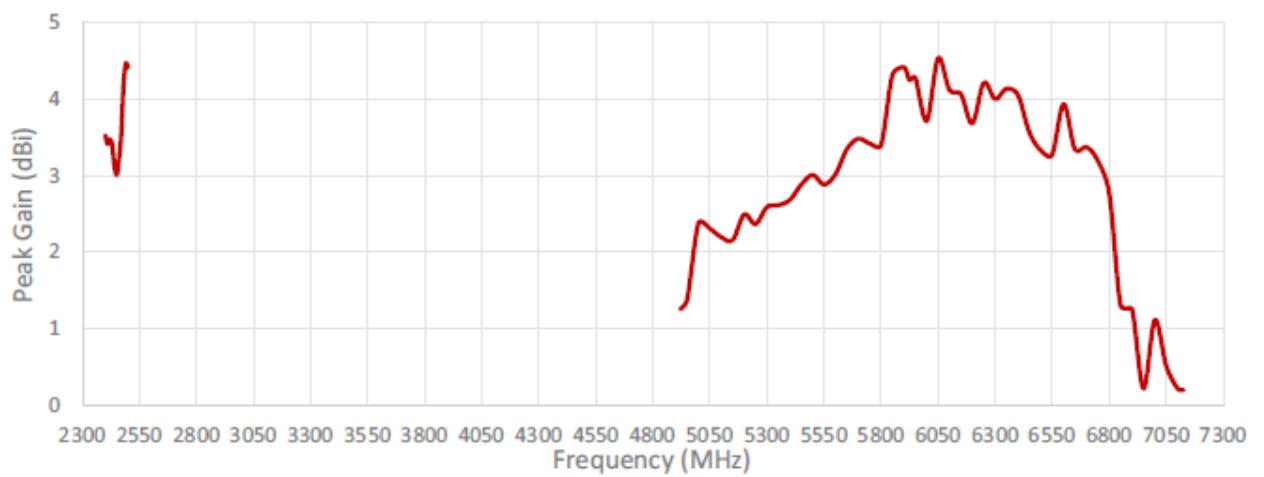
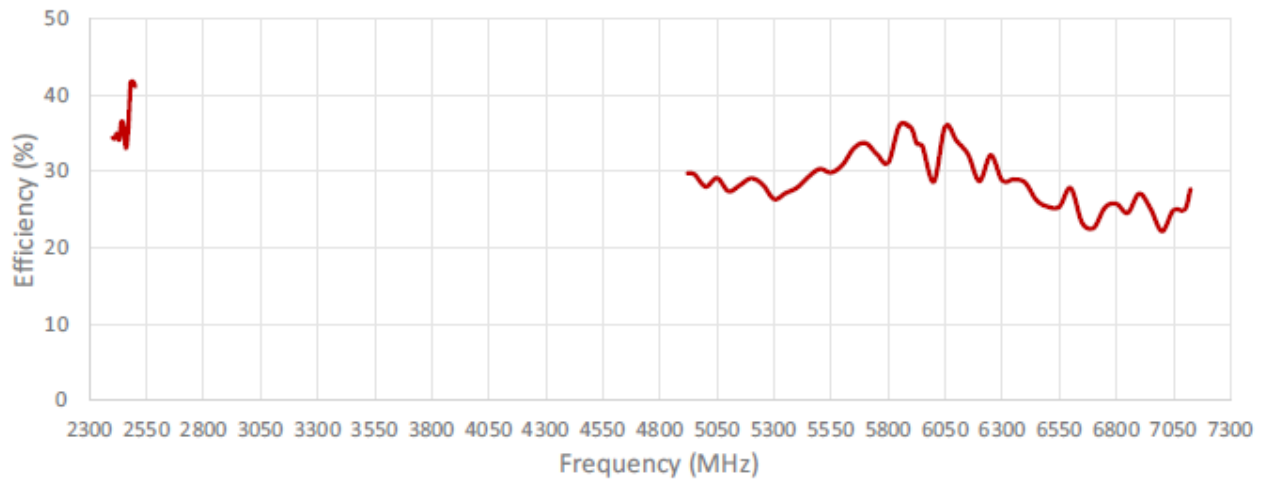


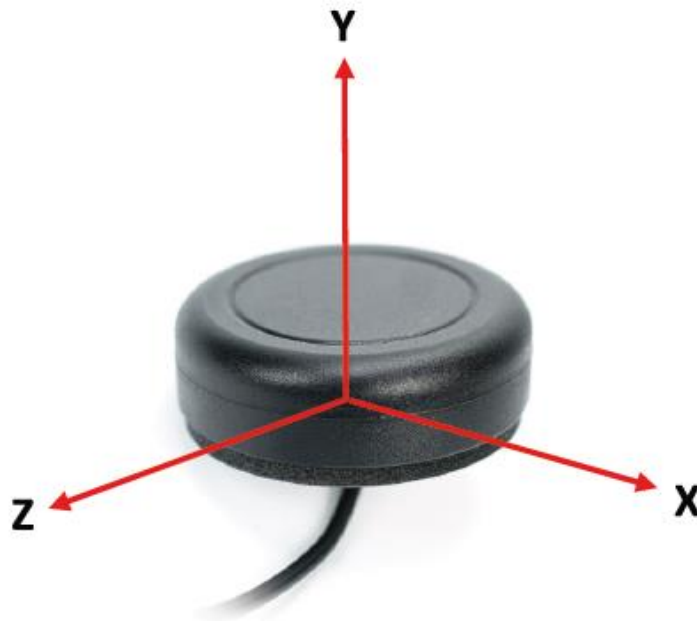
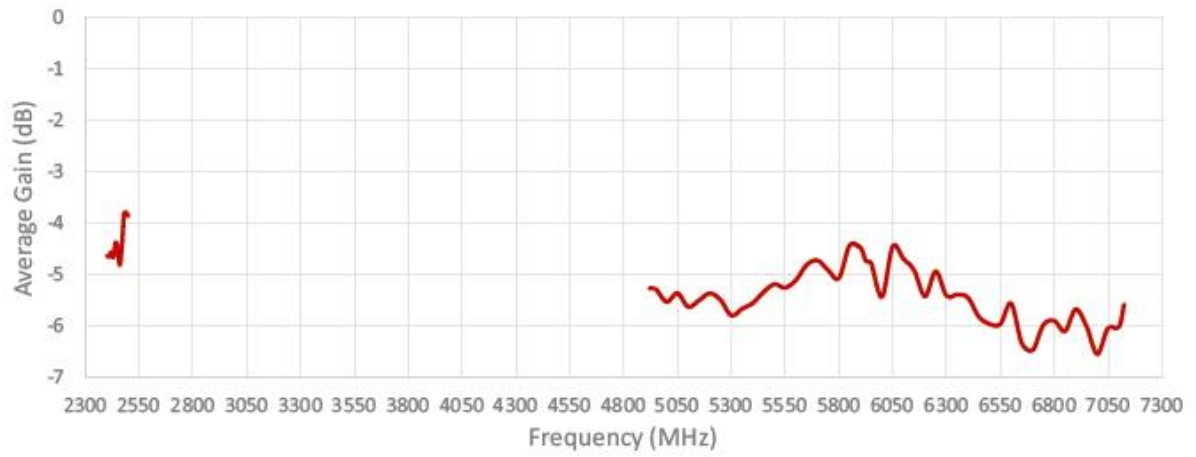
*Dimensions after mounting
**Max. Torque = 4 Nm



4. Antenna parameters

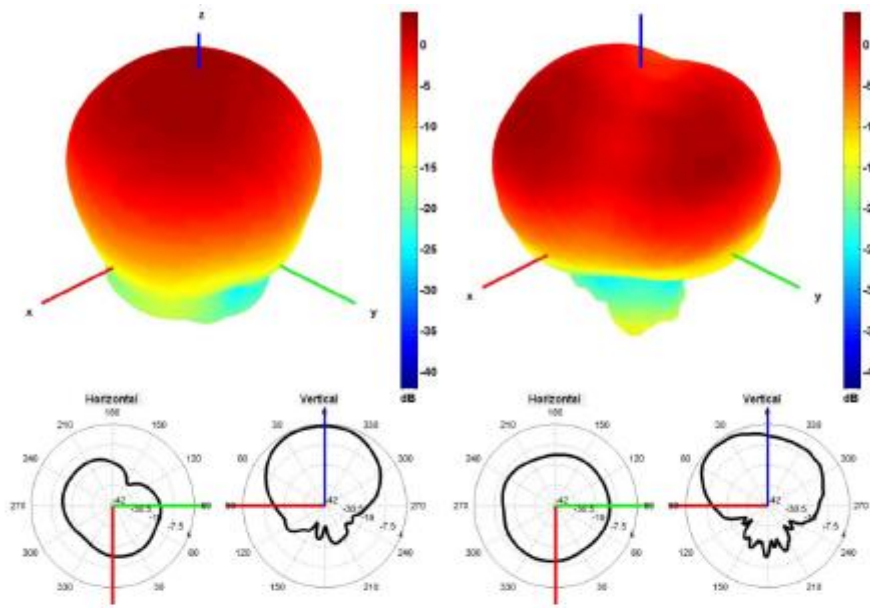




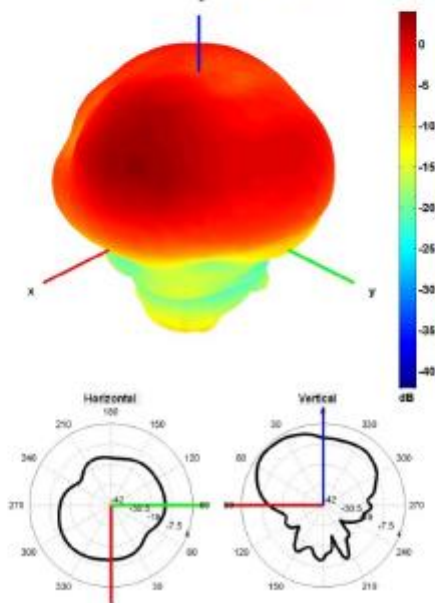


Radiation pattern reference





2450 and 5500 MHz Radiation pattern



6500 MHz Radiation pattern

