

AMC-ANT-2JM0801CF

GNSS ceramic active antenna

Features

- **GPS/GLONASS/BeiDou/QZSS/Galileo**
 - 1561 – 1606MHz
- Embedded antenna
- Mid-filter
- 28dB gain
- Low noise figure
- Low power consumption
- Ground plane independent
- Dimensions: 25 x 25 x 7.6mm
- Customisable cable length and connector



1. Antenna and electrical specifications

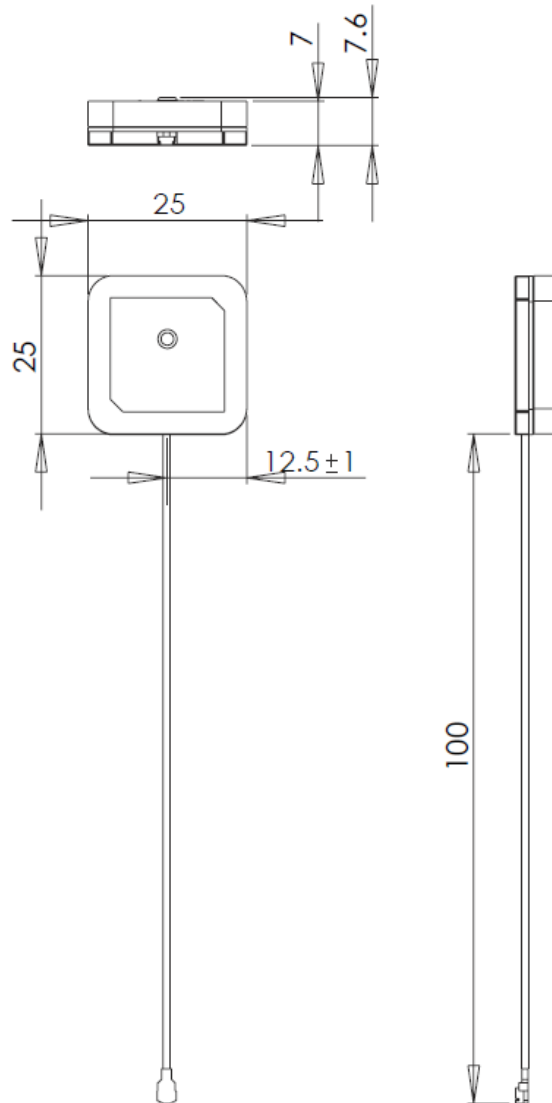
| Parameters | GNSS ceramic active patch antenna | | |
|----------------------------|---|------------------|-------------|
| Standards | BeiDou | GPS/QZSS/Galileo | GLONASS |
| Band (MHz) | 1561 | 1575 | 1602 |
| Frequency (MHz) | 1561.098 | 1575.42 | 1598 - 1606 |
| Passive gain (dBi) | ~4.2 | ~4.5 | ~5.0 |
| Impedance (Ohms) | 50 | | |
| Radiation pattern | Hemispherical | | |
| Voltage range (V) | 1.5 – 3.6 | | |
| Active gain (dB) | 28 @ 2.7V | | |
| Noise figure (dB) | 1.0 @ 2.7V | | |
| Current consumption (mA) | 9 @ 2.7V | | |
| Power consumption (mW) | 24.3 @ 2.7V | | |
| SAW filter type | Mid-filter | | |
| Out of band rejection (dB) | 43 | | |
| ESD protection (kV) | 2 | | |
| Connector type | U.FL standard (other connectors available) | | |
| Cable length | 100mm standard (other lengths available) | | |
| Cable type | 1.37mm mini-coax standard (other cable types available) | | |



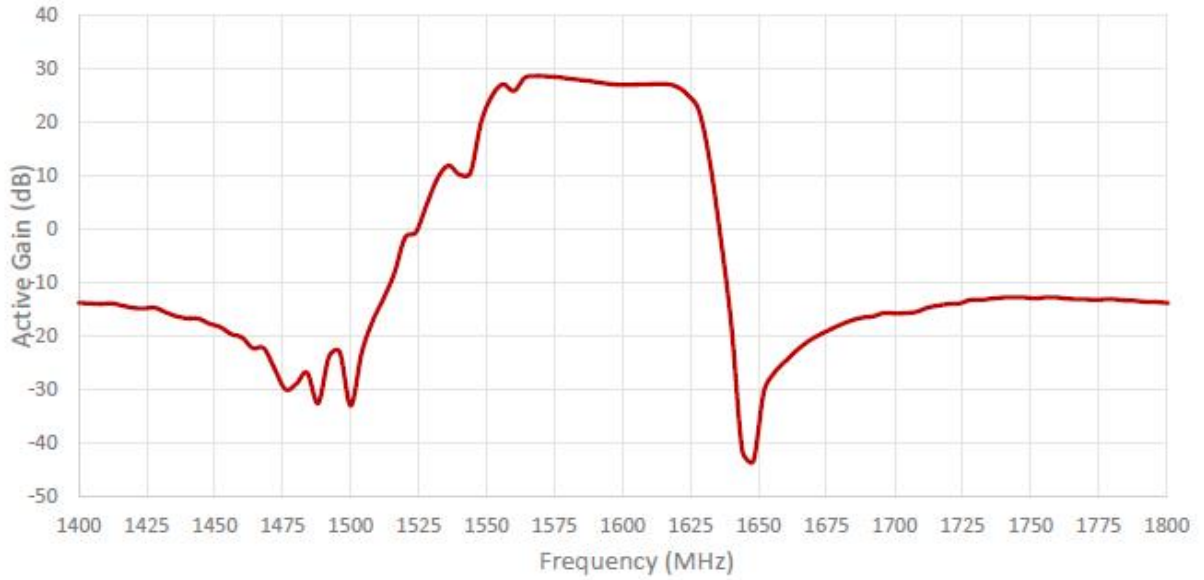
2. Mechanical and environmental specifications

| | |
|----------------------------|---------------|
| Dimensions (mm) | 25 x 25 x 7.6 |
| Operating temperature (°C) | -40 to +85 |
| Storage temperature (°C) | -40 to +85 |
| Substance compliance | RoHS |

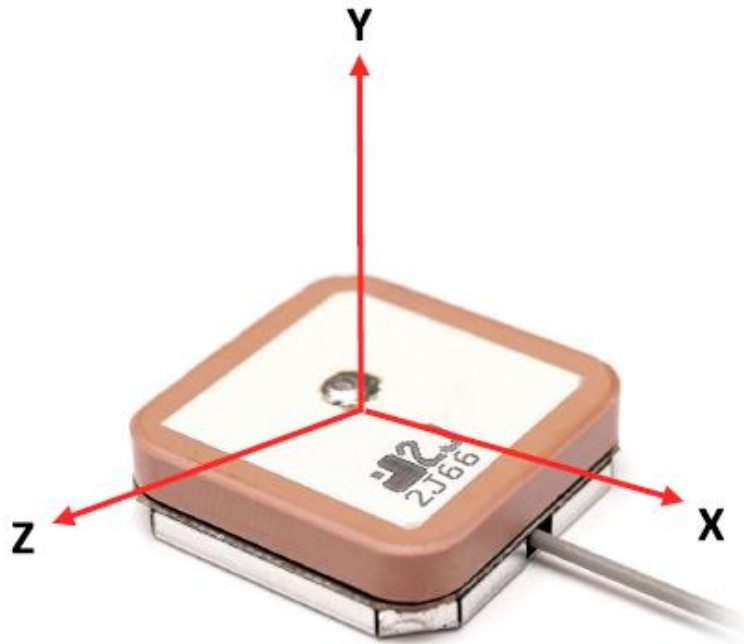
3. Antenna drawings



4. Antenna parameters

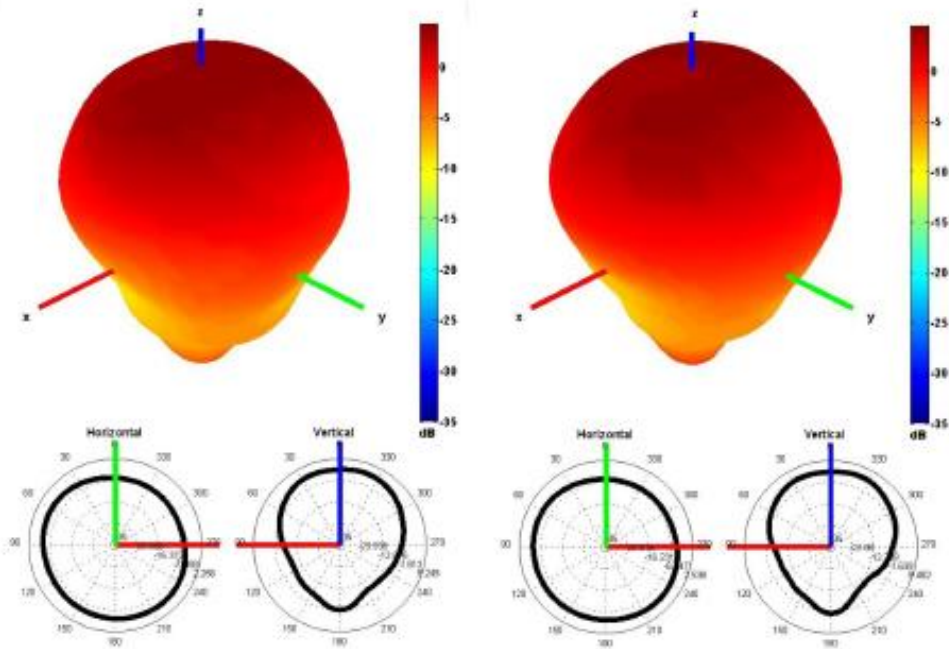


* Measured at 3 V

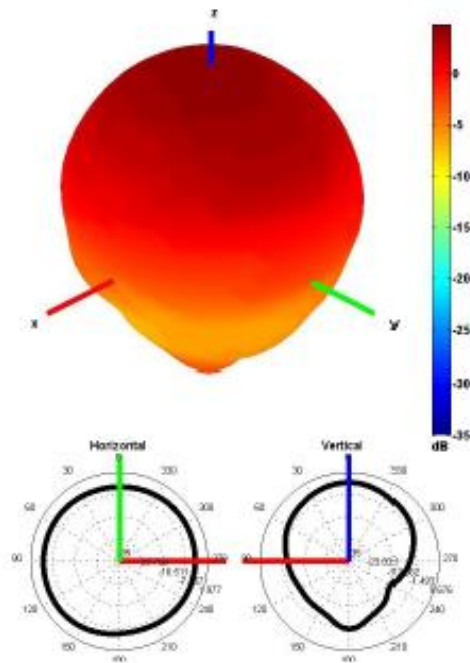


Radiation pattern reference





1561 and 1575 MHz Radiation pattern



1602 MHz Radiation pattern

