

AMC-ANT-2J7401MGF

GNSS magnetic mount antenna

Features

- GPS/GLONASS/QZSS/Galileo
 - 1575 - 1606MHz
- Magnetic mount
- Pre-filter
- Ground plane independent
- Certificates: IP67, IP69K
- Dimensions \varnothing 54 x 14.7mm
- Customisable cable and connector



1. Antenna and electrical specifications

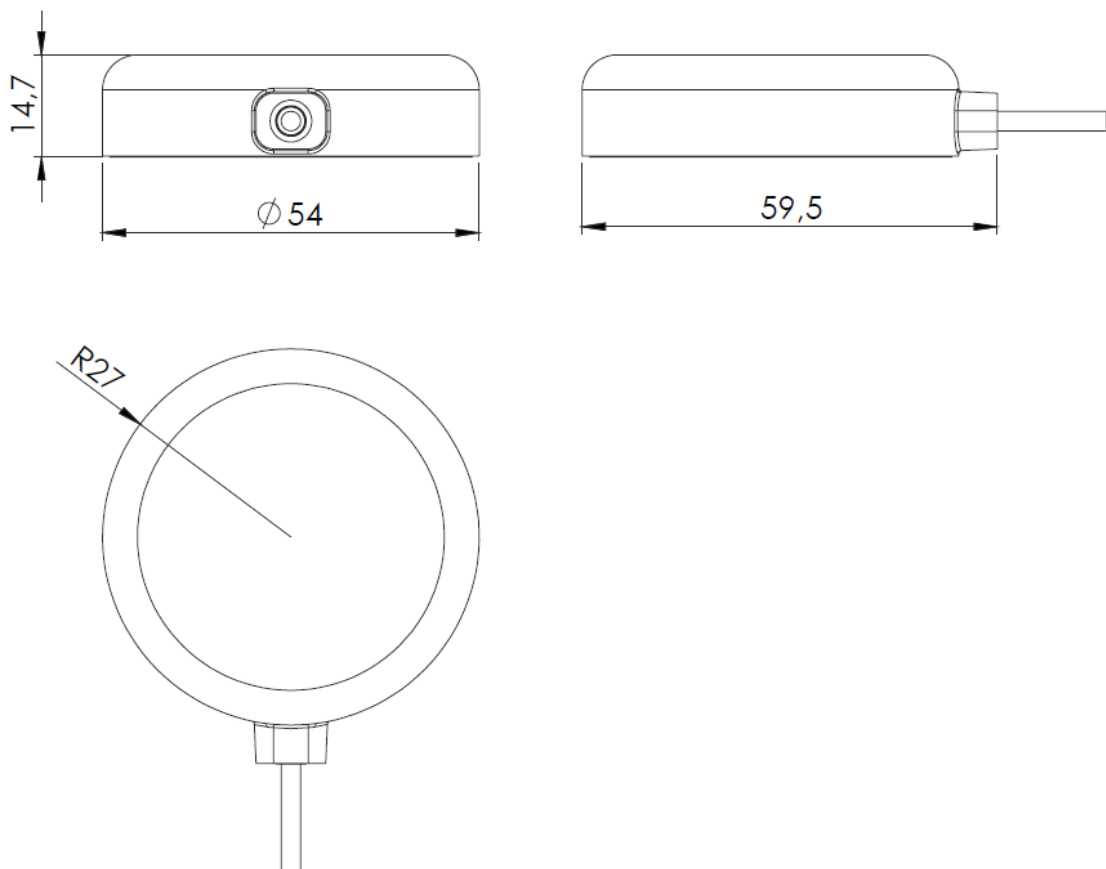
Active Parameters	GNSS antenna	
Standards	GPS/QZSS/Galileo	GLONASS
Band (MHz)	1575	1602
Frequency (MHz)	1575.42	1598 - 1606
Patch Size (mm)	25 x 25 x 4	
Return Loss (dB)	≤ 15	
Impedance (Ohms)	50	
VSWR	<1.4:1	
Polarisation	RHCP	
Radiation Pattern	Hemispherical	
SAW Filter Type	Pre-Filter	
Voltage Range (V)	1.5 – 3.6	
Active Gain (dB)	28 @ 2.7V	
Noise Figure (dB)	1.8 @ 2.7V	
Current Consumption (mA)	9 @ 2.7V	
Out of Band Rejection (dB)	~43	
ESD Protection (kV)	6	
Connector Type	SMA male standard (other connectors available)	
Cable Length	3 metres standard (other lengths available)	
Cable Type	LMR100 standard (other cables available)	



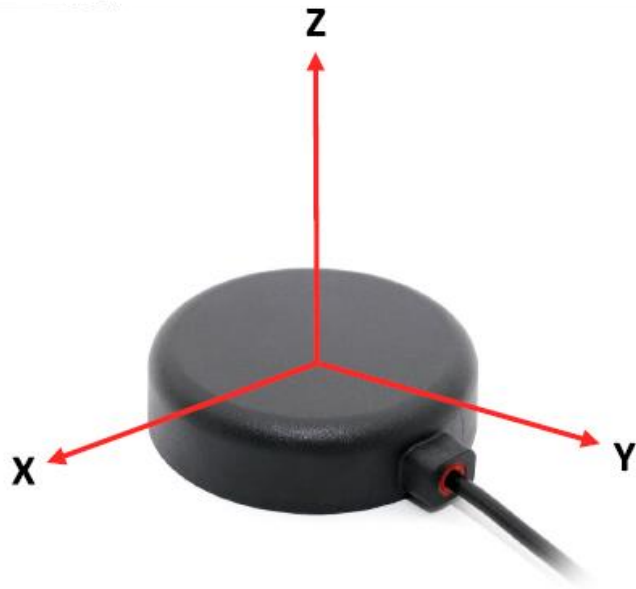
2. Mechanical and environmental specifications

Mounting Type	Magnetic mount
Dimensions (mm)	Ø 54 x 14.7
Radome Type	PC+ASA
Radome Colour	Black
Operating Temperature (°C)	-40 to +85
Storage Temperature (°C)	-40 to +85
Certificates	IP67, IP69K
Substance Compliance	RoHS

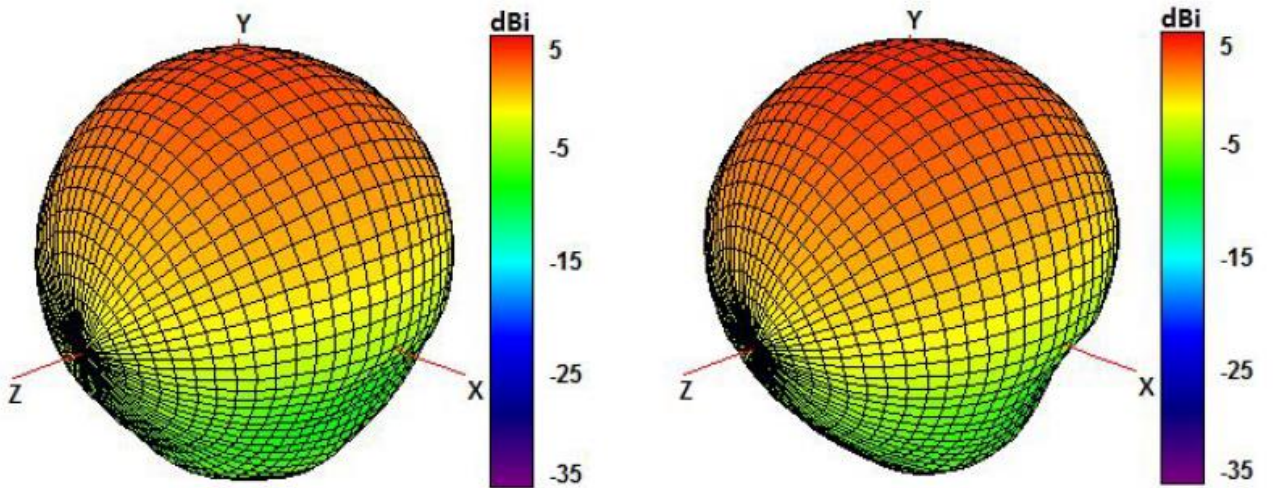
3. Antenna drawings



4. Antenna parameters



Radiation pattern reference



1575 MHz and 1602 MHz Radiation pattern

