

AMC-ANT-2J4D01MPCF

GNSS magnetic & adhesive mount antenna

Features

- **GPS/GLONASS/BeiDou/QZSS/Galileo**
 - 1561 – 1606MHz
- Magnetic/adhesive mount
- Pre-filter
- Voltage: 1.5 – 3.6V
- Ground plane independent
- Certificates: IP67
- Dimensions: 41 x 34 x 13.5/14.5mm
- Gain and filter options available
- Customisable cable length and connector



1. Antenna and electrical specifications

Parameters	GNSS ceramic active patch antenna		
Standards	BeiDou	GPS/QZSS/Galileo	GLONASS
Band (MHz)	1561	1575	1602
Frequency (MHz)	1561.098	1575.42	1598 - 1606
Patch size (mm)	25 x 25 x 4		
Return loss (dB)	<=-15.0		
VSWR	<=1.4:1		
Impedance (Ohms)	50		
Radiation pattern	Hemispherical		
Polarisation	RHCP		
SAW filter	Pre-filter		
Active gain (dB)	28 @ 2.7V		
Noise figure (dB)	1.5 typ.		
Voltage (V)	1.5 – 3.6		
Current (mA)	9 typ.		
Power consumption (mW)	24.3 typ.		
ESD protection (kV)	2		
Connector type	SMA male standard (other connectors available)		
Cable length	3 metres standard (other lengths available)		
Cable type	RG174 standard (other cable types available)		

Antenna gain/filter variants available:

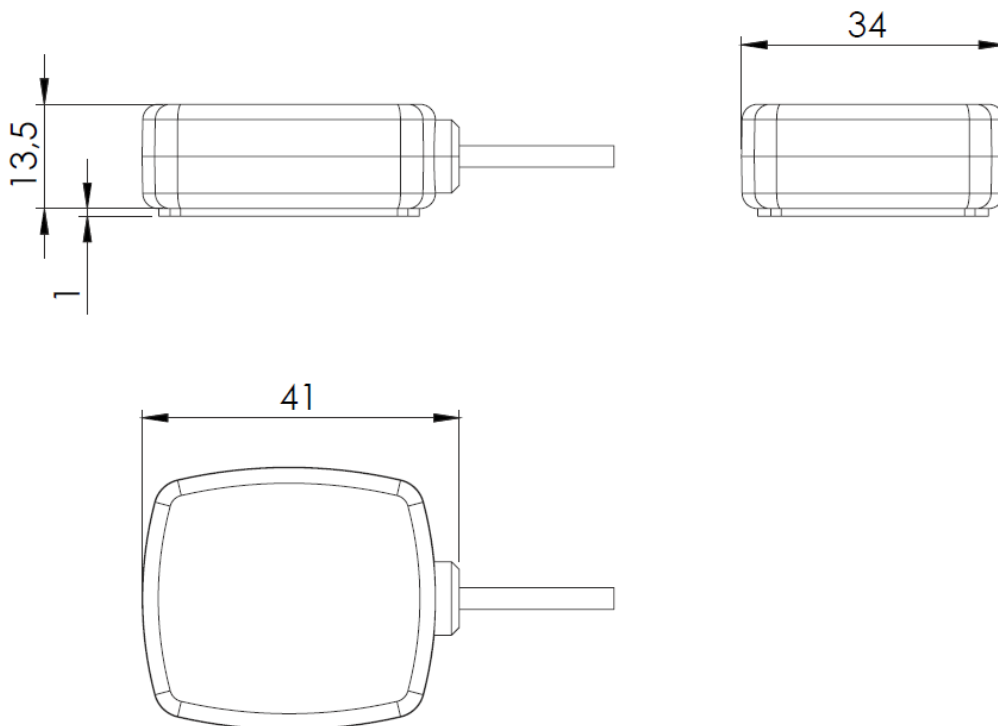
Part No.	Active Gain	Filter Type
AMC-ANT-2J4D01MPCF	28dB	Pre-filter
AMC-ANT-2J4D01MPCFy	14dB	Pre-filter
AMC-ANT-2J4D01MPCFz	28dB	Mid-filter



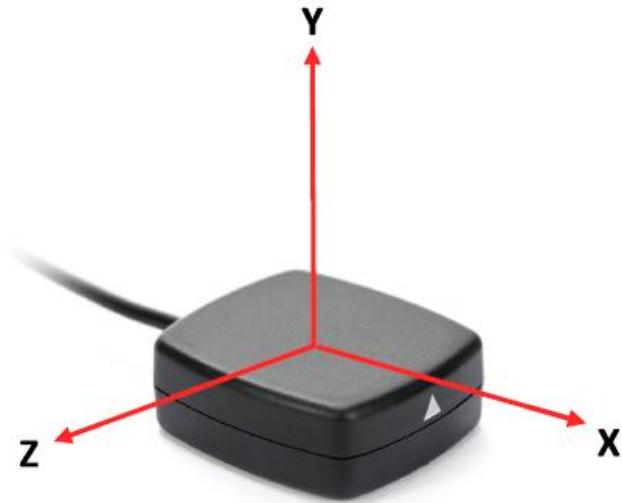
2. Mechanical and environmental specifications

Mounting type	Magnetic & adhesive
Dimensions (mm)	41 x 34 x 13.5/14.5
Radome type	ABS
Radome colour	Black
Antenna base	ABS
Operating temperature (°C)	-40 to +85
Storage temperature (°C)	-40 to +85
Certificate	IP67
Substance compliance	RoHS

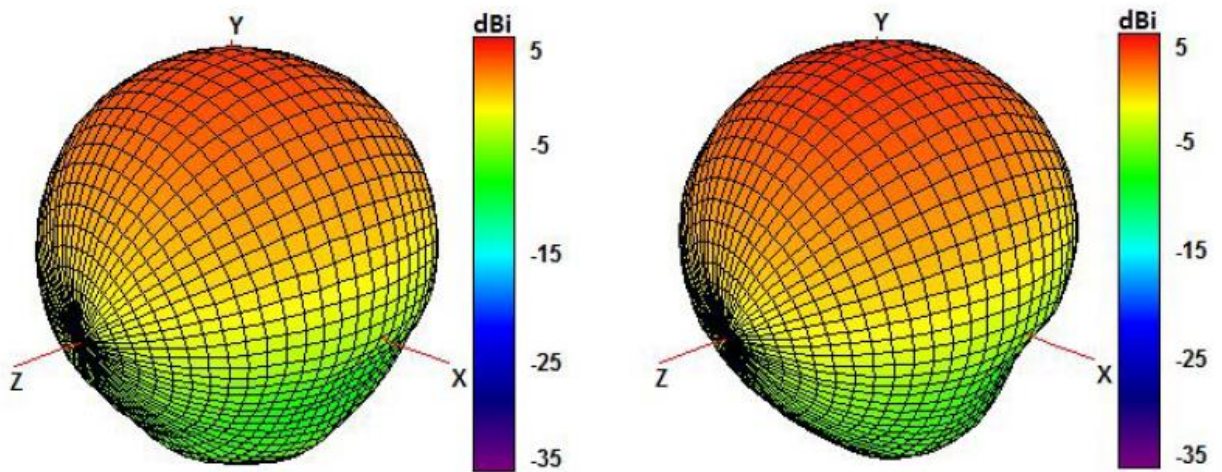
3. Antenna drawings



4. Antenna parameters



Radiation pattern reference



1575 MHz and 1600 MHz Radiation pattern

