

## AMC-ANT-2J4D01MP

GPS magnetic & adhesive mount antenna

### Features

- **GPS/QZSS/Galileo**
  - 1575MHz
- Magnetic & adhesive mount
- Ground plane independent
- Certificates - IP67
- Dimensions: 41 x 34 x 13.5/14.5mm
- Customisable cable length and connector



## 1. Antenna and electrical specifications

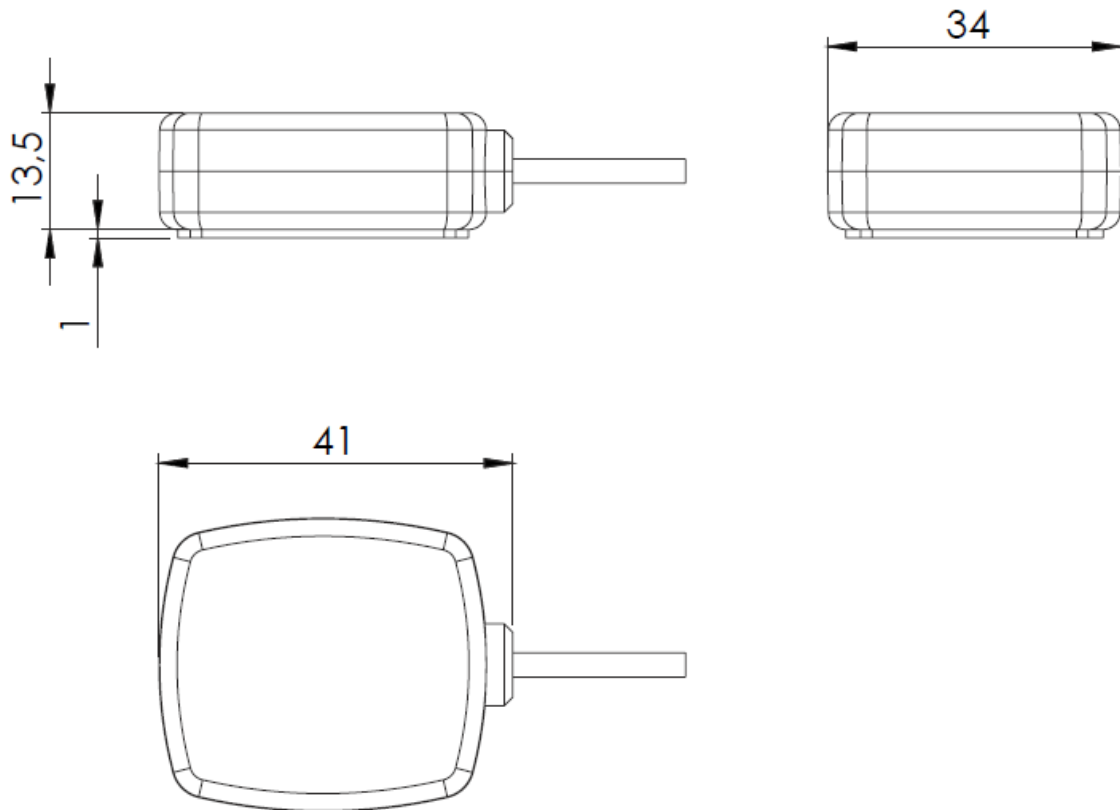
<b>Parameters</b>	GPS antenna
<b>Standards</b>	GPS/QZSS/Galileo
<b>Band (MHz)</b>	1575
<b>Frequency (MHz)</b>	1575.42
<b>Patch Size (mm)</b>	25 x 25 x 4
<b>Return Loss (dB)</b>	~-25
<b>VSWR</b>	<1.1:1
<b>Impedance (Ohms)</b>	50
<b>Radiation Pattern</b>	Hemispherical
<b>Axial Ratio (dB)</b>	3 Max
<b>Polarisation</b>	RHCP
<b>Active Gain (dB)</b>	26 – 28 @ 3 - 5V
<b>Noise Figure (dB)</b>	1.2 @ 5V
<b>Voltage (V)</b>	2.7 – 5.5
<b>Current (mA)</b>	15 - 25
<b>Power Consumption (mW)</b>	40 -138
<b>Connector Type</b>	SMA male standard (other connectors available)
<b>Cable Length</b>	3 metres standard (other lengths available)
<b>Cable Type</b>	RG174 standard (other cables available)



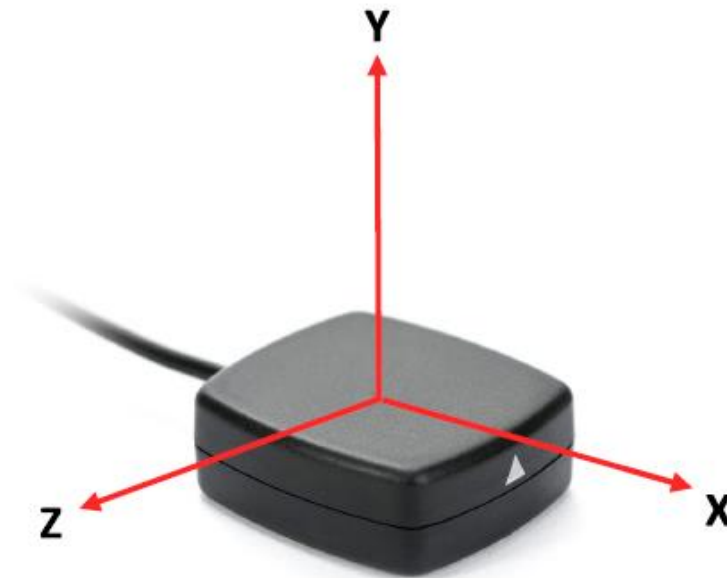
## 2. Mechanical and environmental specifications

<b>Mounting Type</b>	Magnetic & Adhesive
<b>Dimensions (mm)</b>	41 x 34 x 13.5/14.5
<b>Radome Type</b>	ABS
<b>Radome Colour</b>	Black
<b>Antenna Base</b>	ABS
<b>Operating Temperature (°C)</b>	-40 to +85
<b>Storage Temperature (°C)</b>	-40 to +85
<b>Certificates</b>	IP67
<b>Substance Compliance</b>	RoHS

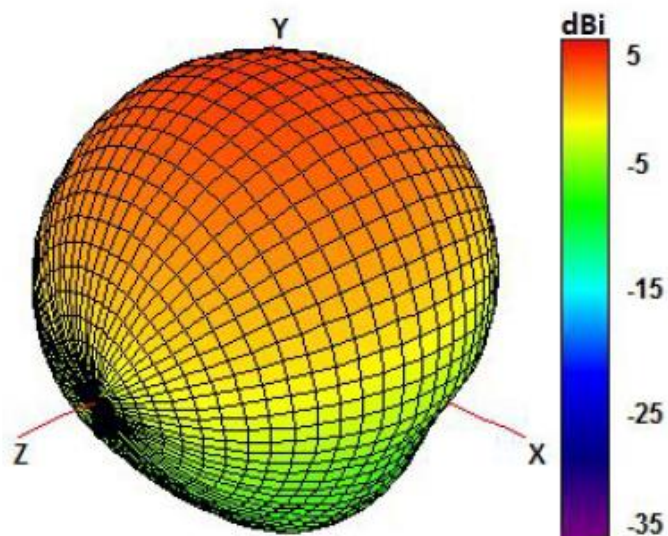
## 3. Antenna drawings



#### 4. Antenna parameters



Radiation pattern reference



1575 MHz Radiation pattern

