

AMC-ANT-2J6926MP

Iridium certified magnetic/adhesive mount antenna

Features

- Iridium
 - 1616 – 1627MHz
- Iridium certified
- Magnetic/adhesive mount
- Low profile
- High gain
- Ground plane independent
- Certificates: IP67, IP69
- Dimensions: 89 x 76 x 27/30mm
- Customisable cable and connector



1. Antenna and electrical specifications

Parameters	Iridium antenna
Standards	Iridium
Band (MHz)	1621
Frequency (MHz)	1616 - 1627
Return Loss (dB)	~-18.8
VSWR	~1.2:1
Efficiency (%)	~76
Peak Gain (dBi)	~4.5
Average Gain (dB)	~-1.1
Impedance (Ohms)	50
Axial Ratio (dB)	3 max.
Polarisation	RHCP
Radiation Pattern	Hemispherical
Connector Type	SMA male standard (other connectors available)
Cable Length	3 metres standard (other lengths available)
Cable Type	DACAR 302 standard (other cables available)

Measurement conditions:

- Mounted on ground plane of 70 x 70mm
- No cable
- Measured in certified CTIA 3D anechoic chamber



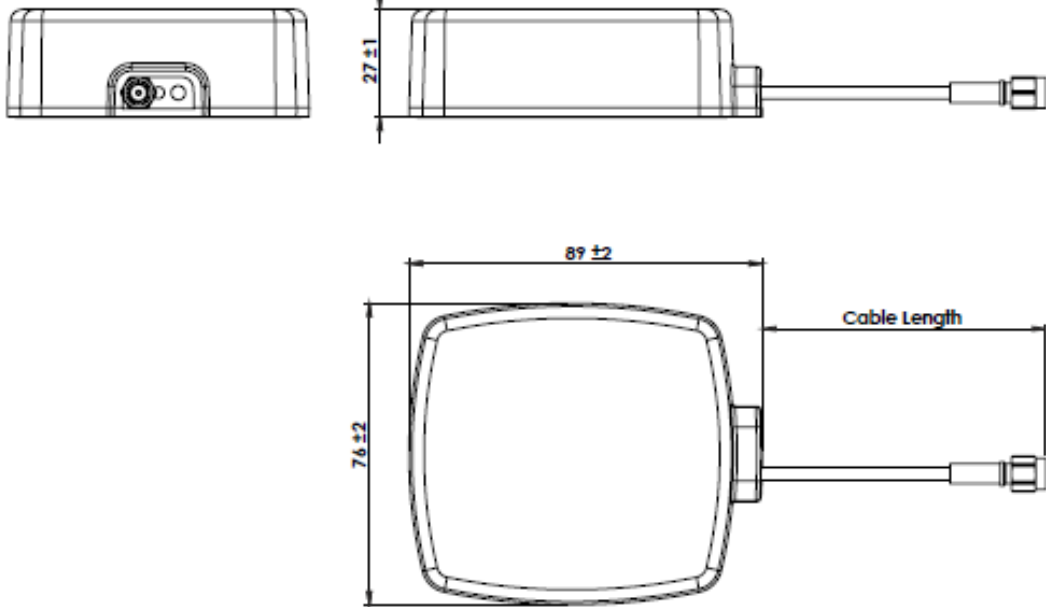
2. Mechanical and environmental specifications

Mounting Type	Magnetic/adhesive mount
Dimensions (mm)	89 x 76 x 27/30
Radome Type	ABS UV stable
Radome Colour	Black or White
Operating Temperature (°C)	-40 to +85
Storage Temperature (°C)	-40 to +85
Substance Compliance	RoHS
Certificates	Iridium Certified, IP67, IP69

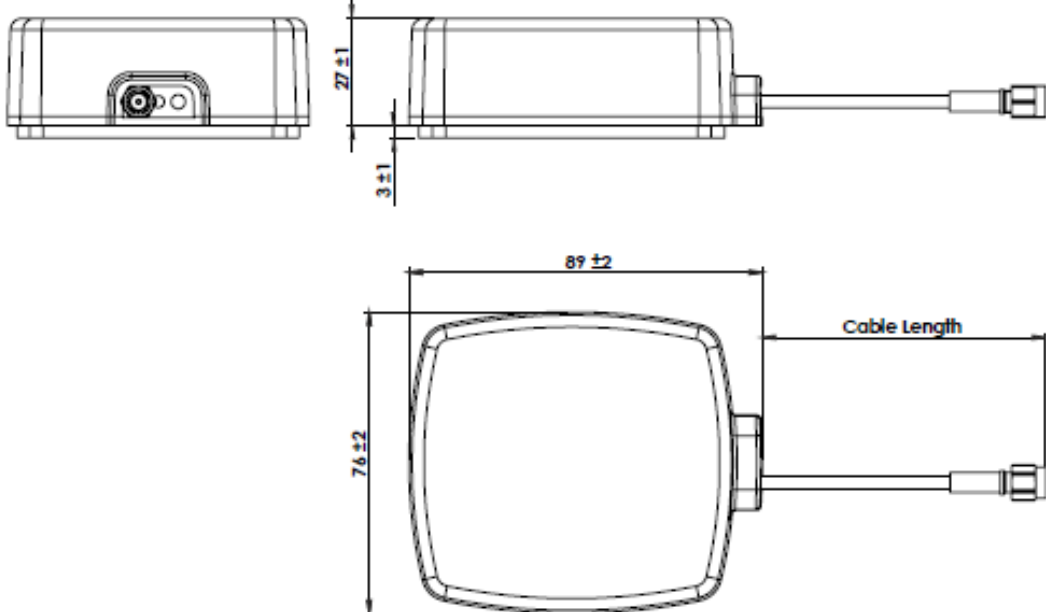


3. Antenna drawing

Magnetic Mount option

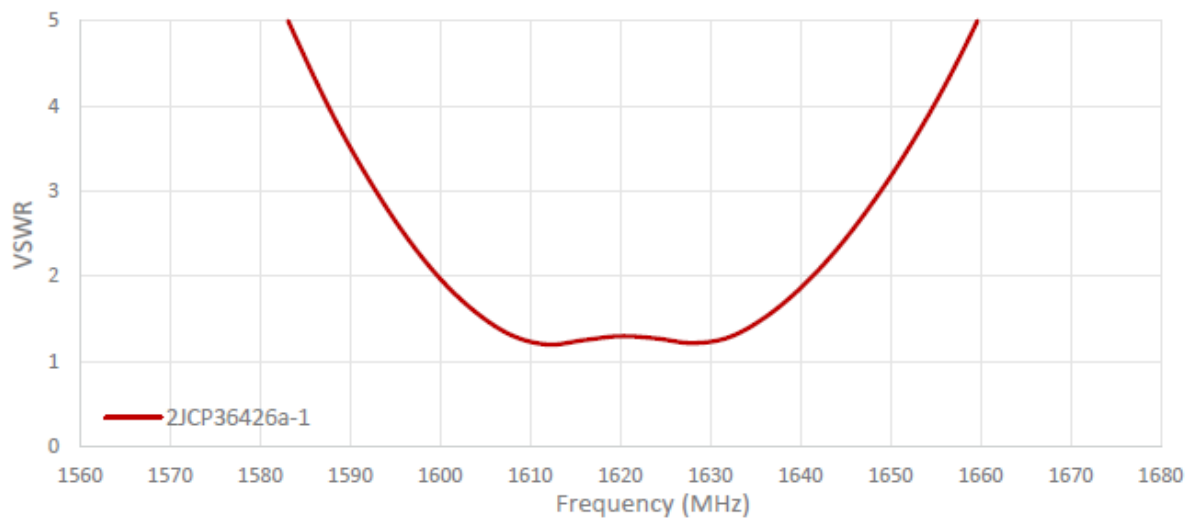
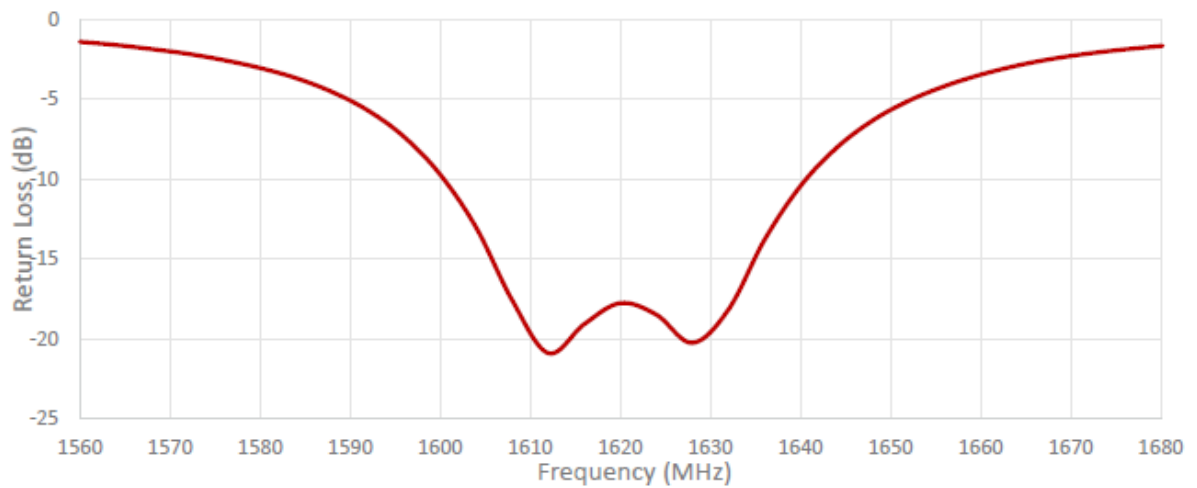


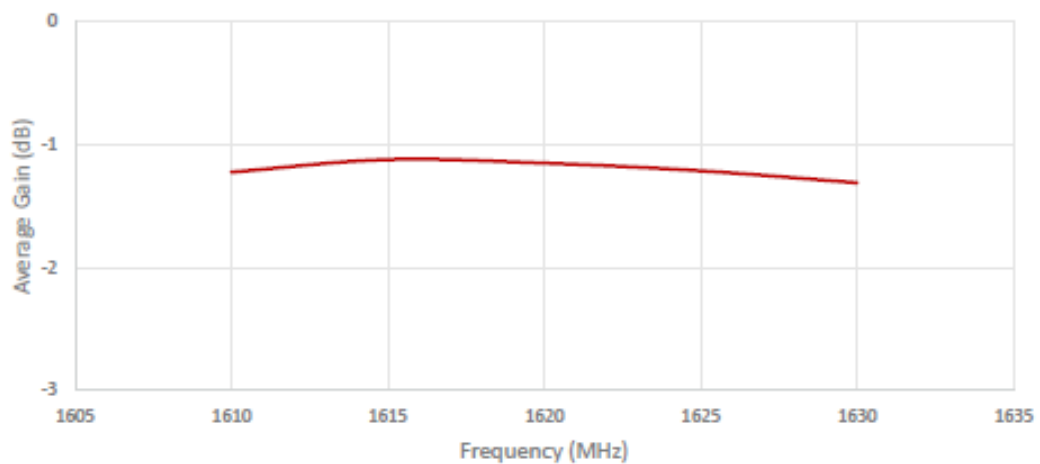
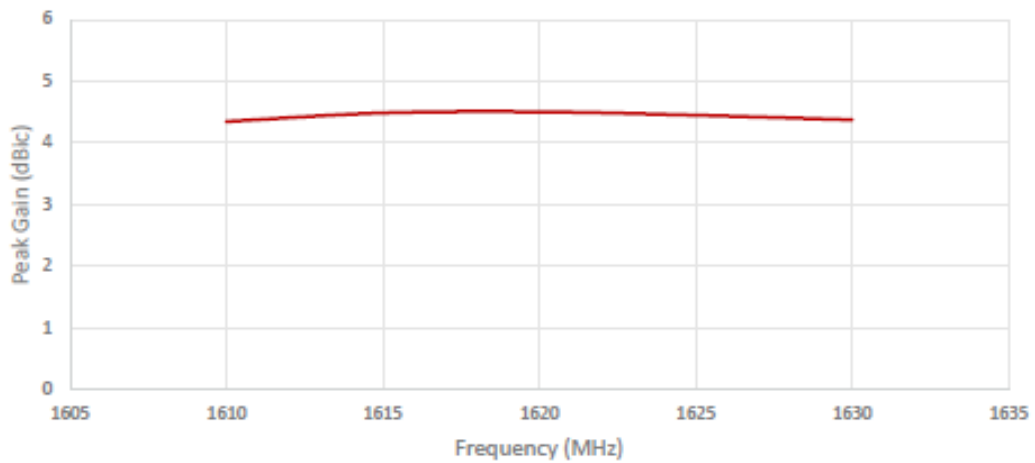
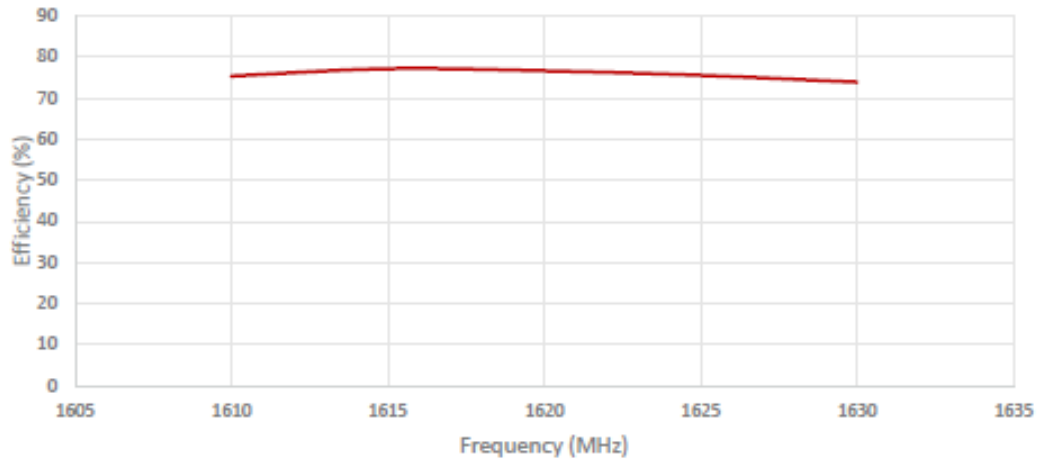
Adhesive Mount option

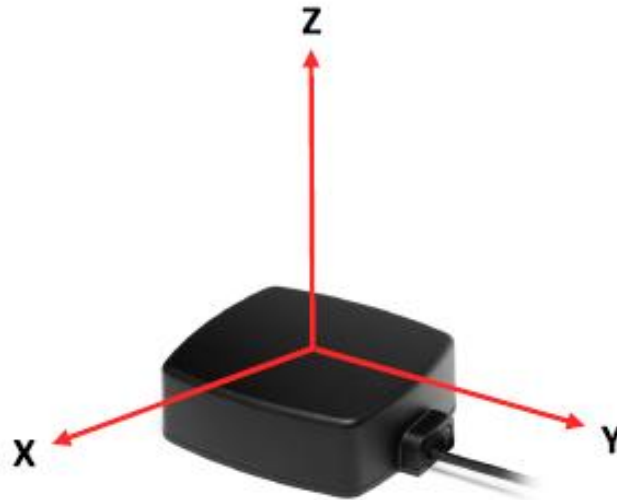


4. Antenna parameters

Table 1: IRIDIUM

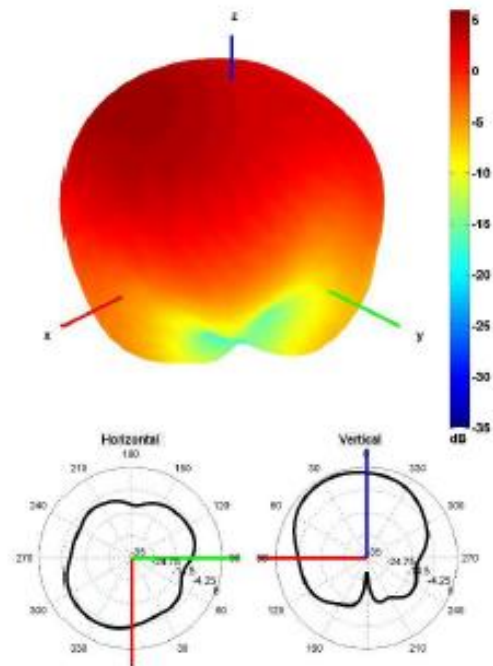






Radiation pattern reference

Cable 1: IRIDIUM



1621 MHz Radiation pattern

