

AMC-ANT-2JW1483

5G NR connector mount antenna

Features

- 5G NR:
 - 617 – 960MHz
 - 1427 – 2690MHz
 - 3300 – 3800MHz
- Connector mount
- Ultra-wide band antenna
- High performance
- Ground plane independent
- Waterproof
- Certificates: IP67, IP69
- Dimensions: 192 x 20 x 18mm



1. Antenna and electrical specifications

| Parameters | 5G NR Antenna | | |
|---------------------|--|--|------------------------------|
| Technologies | 5G, 4G, 3G, 2G | | |
| Standards | 5G NR/4G LTE/FirstNet/CBRS/LPWA/CAT-X/Cat-Mx/CAT-NBx/NB-IoT/3G/2G | | |
| Frequency (MHz) | 617 - 960 | 1427 - 2690 | 3300 -3800 |
| Band (MHz) | 600, 700, 850, 900 | 1500, 1600, 1700, 1800, 1900, 2000, 2100, 2300, 2500, 2600 | 3300, 3500, 3600, 3700 |
| 5G NR Bands | n5, n8, n12, n20, n28, n71, n81, n82, n83 | n1, n2, n3, n7, n25, n34, n38, n39, n40, n41, n50, n51, n66, n70, n74, n75, n76, n80, n84, n86 | n78 |
| 4G LTE Bands | B5, B6, B8, B12, B13, B14, B17, B18, B19, B20, B26, B27, B28, B29, B44, B67, B68, B71, B85 | B1, B2, B3, B4, B7, B9, B10, B11, B21, B23, B24, B25, B30, B32, B33, B34, B35, B36, B37, B38, B39, B40, B41, B45, B50, B51, B65, B66, B69, B70 | B22, B42, B43, B48, B49, B52 |
| 3G CELL Bands | B5, B6, B8, B12, B13, B14, B19, B20, B26 | B1, B2, B3, B4, B7, B9, B10, B11, B21, B25, B32, B33, B34, B35, B36, B37, B38, B39, B40 | B22 |
| 2G CELL Bands | 710, 750, 810T, 850, 900P, 900E, 900R | 1800DCS, 1900PCS | |
| CDMA CELL Bands | BC0, BC2, BC3, BC7, BC9, BC10, BC12, BC18, BC19 | BC1, BC4, BC6, BC8, BC13, BC14, BC15, BC16, BC20, BC21 | |
| Return Loss (dB) | ~-13.7 | ~-14.3 | ~-4.4 |
| VSWR | ~1.6:1 | ~1.7:1 | ~6.3:1 |
| Efficiency (%) | ~50.0 | ~55.2 | ~28.1 |
| Peak Gain (dBi) | ~-0.4 | ~0.6 | ~-1.6 |
| Average Gain (dBi) | ~-4.1 | ~-3.0 | ~-5.9 |
| Impedance (Ohms) | 50 | | |
| Polarisation | Linear | | |
| Radiation Pattern | Omni-directional | | |
| Max Input Power (W) | 25 | | |
| Connector Type | SMA male (waterproof) standard | | |

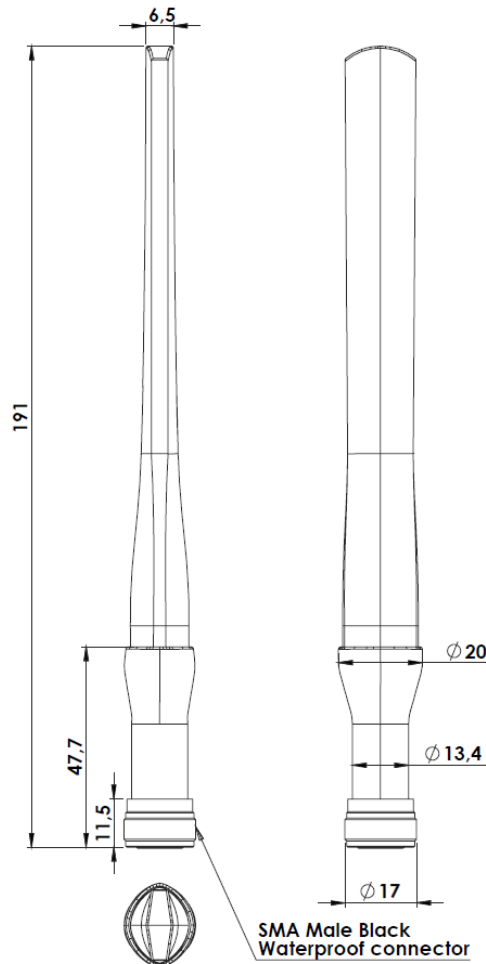
Measurement conditions:

- Free space
- Measured in certified CTIA 3D Anechoic chamber

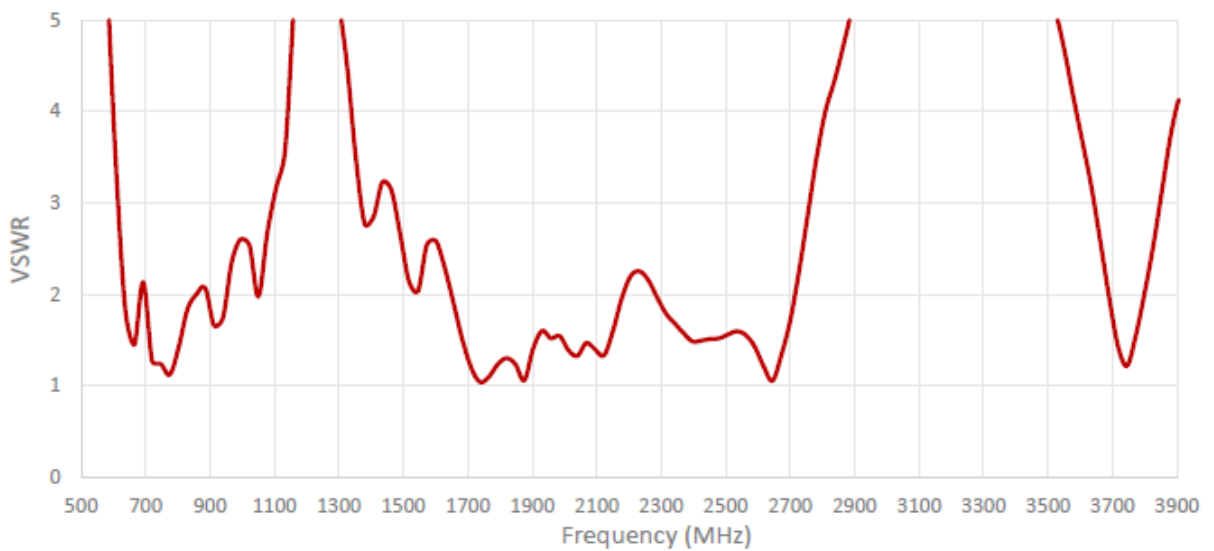
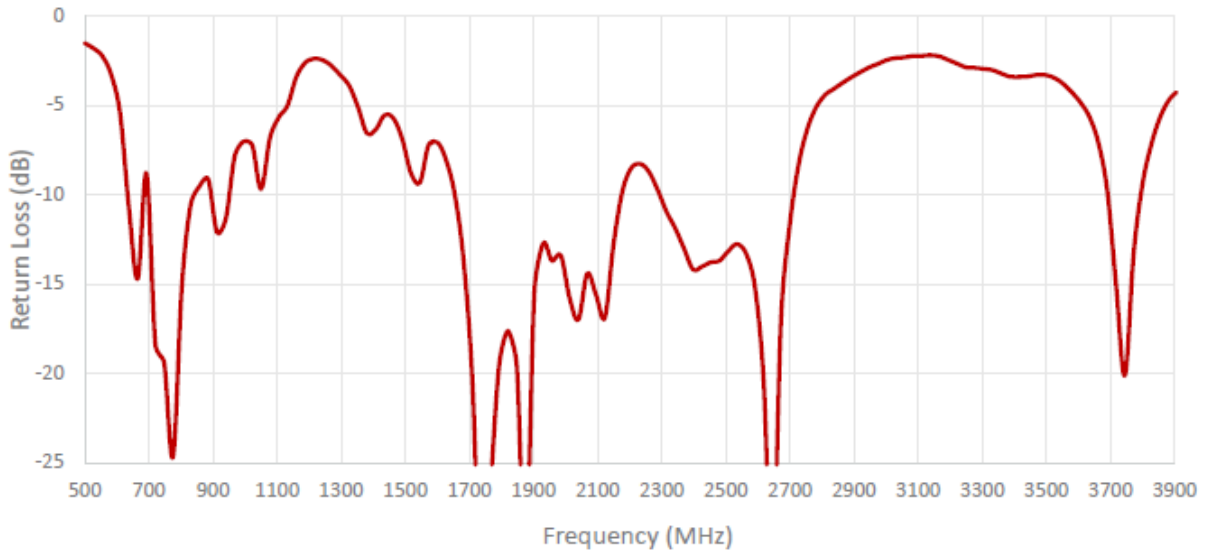


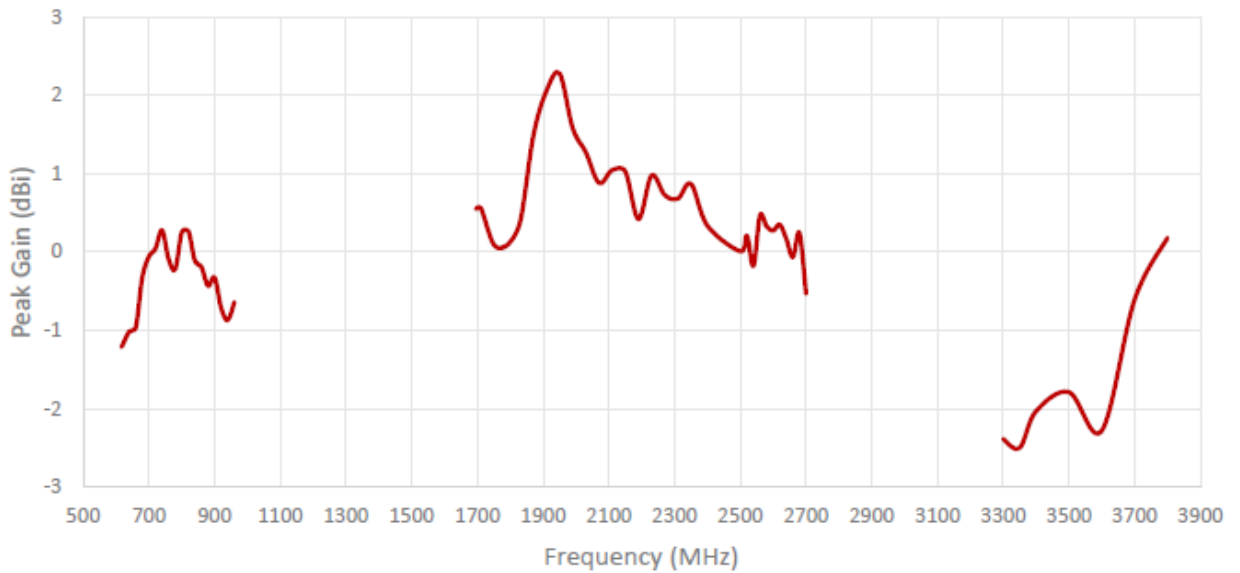
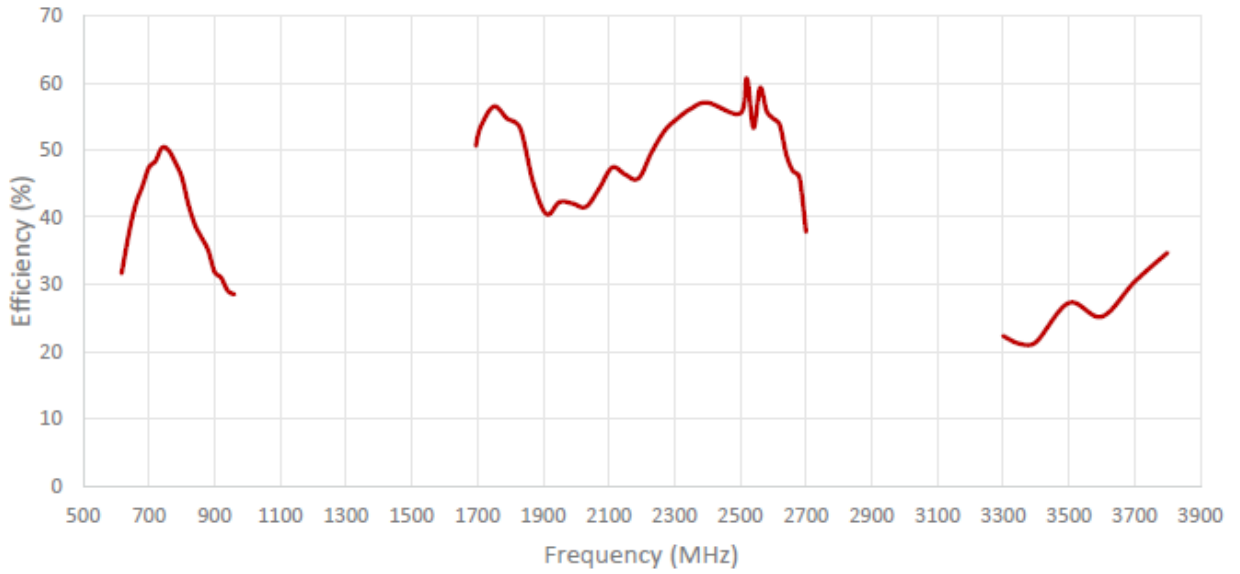
2. Mechanical and environmental specifications

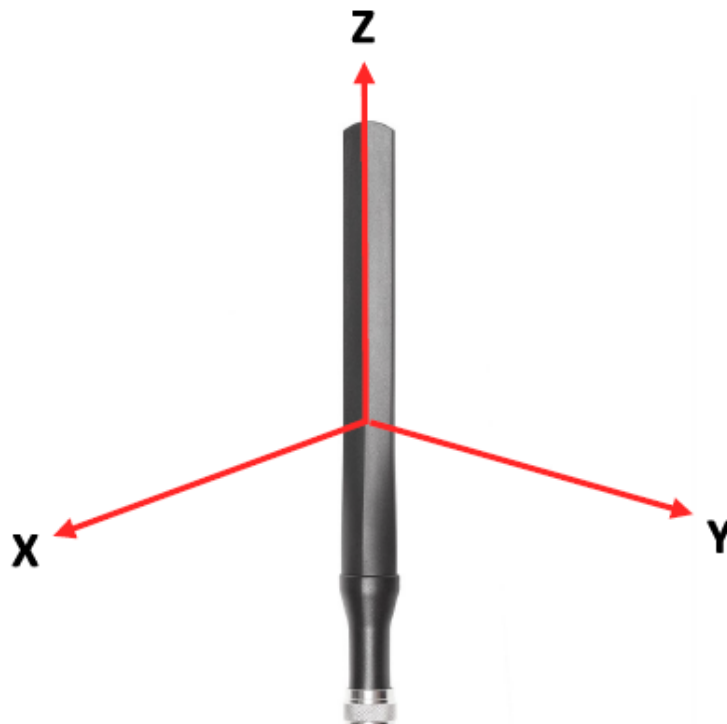
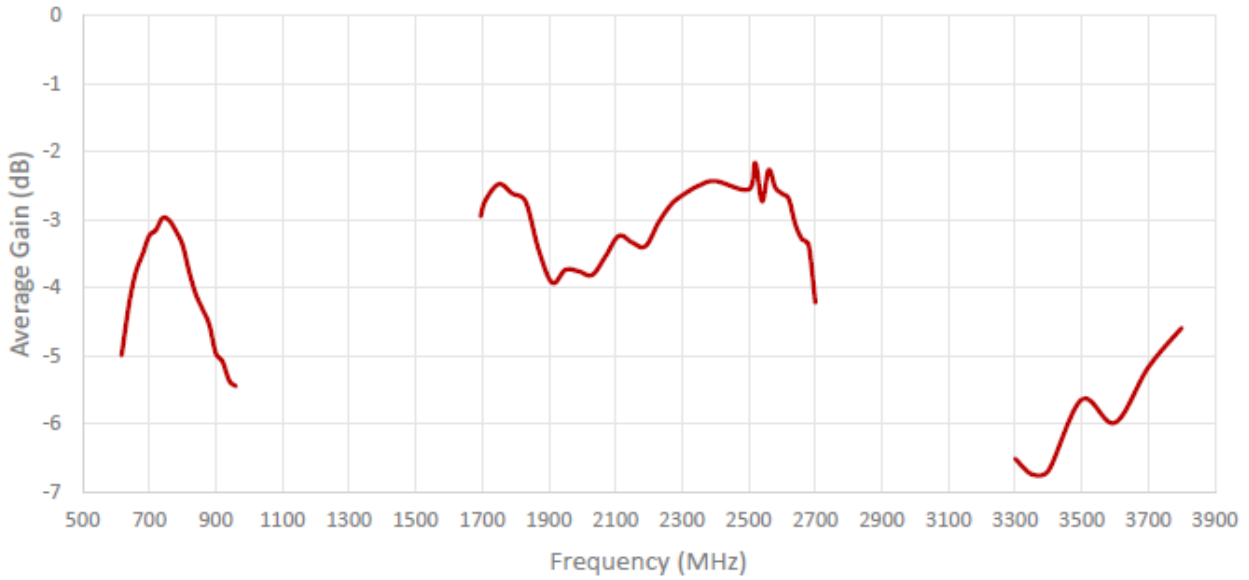
| | |
|-----------------------------------|------------------|
| Mounting Type | Connector mount |
| Dimensions (mm) | 192 x 20 x 18 |
| Radome | PC/ABS UV stable |
| Radome Colour | Black |
| Connector Feature | Waterproof |
| Operating Temperature (°C) | -40 to +85 |
| Storage Temperature (°C) | -40 to +85 |
| Substance Compliance | RoHS, REACH |
| Certificates | IP67, IP69 |



3. Antenna parameters

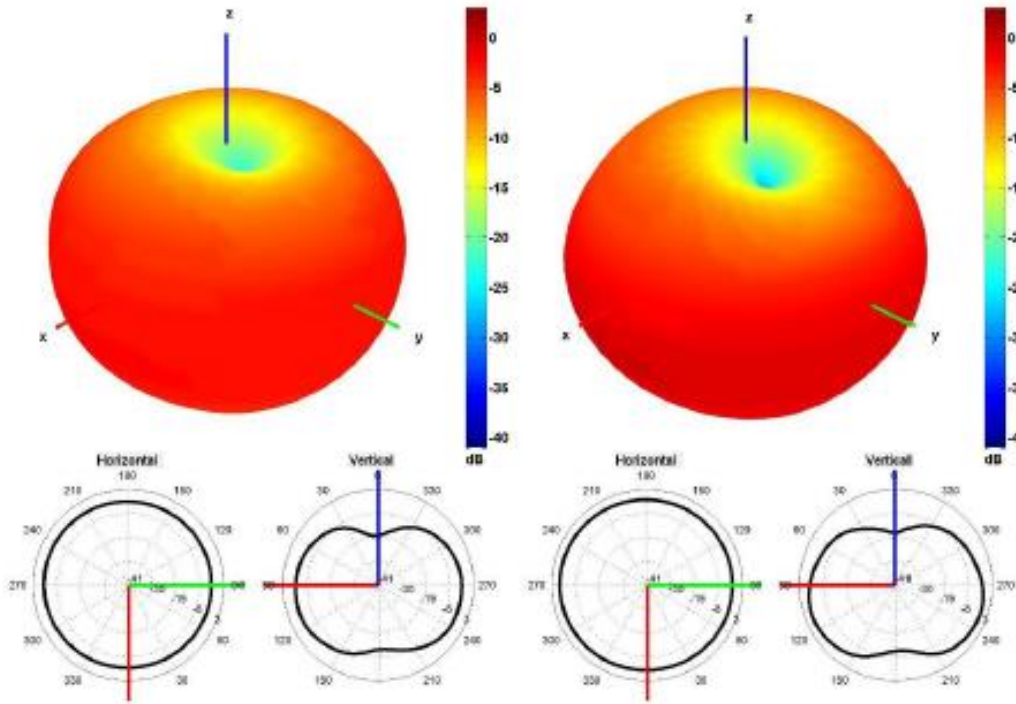




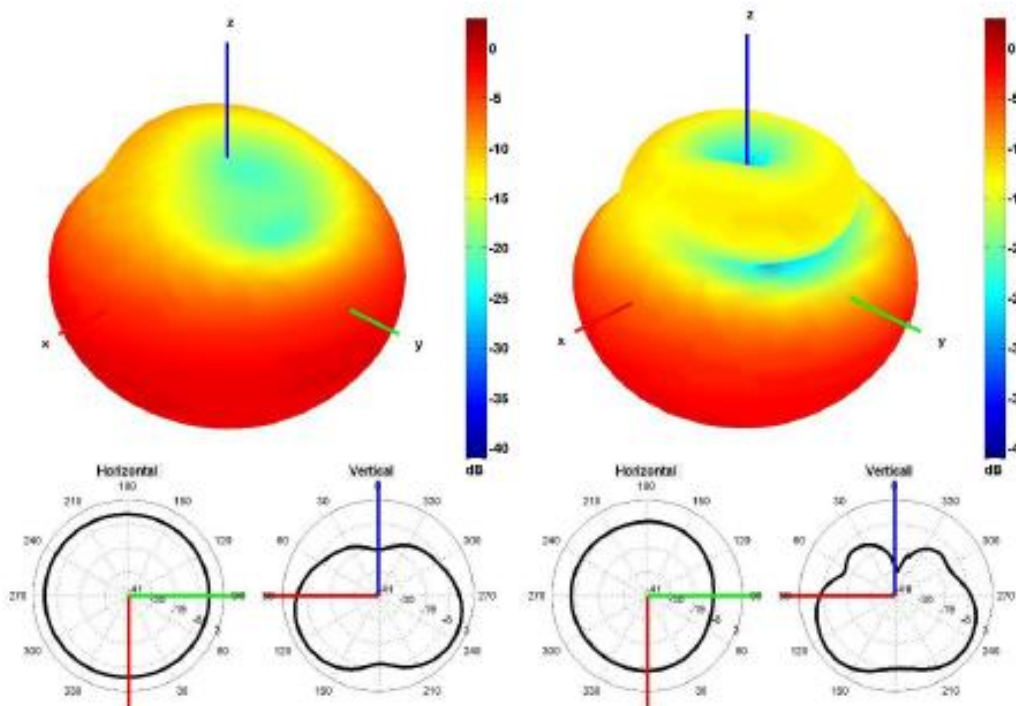


Radiation pattern reference



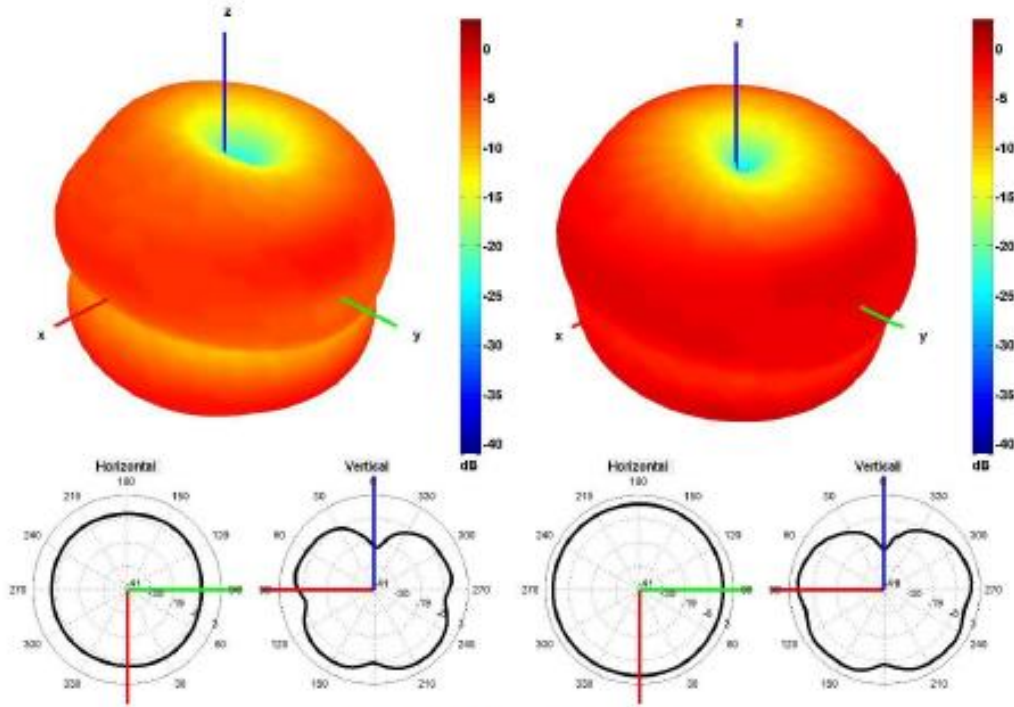


650 and 750 MHz Radiation pattern

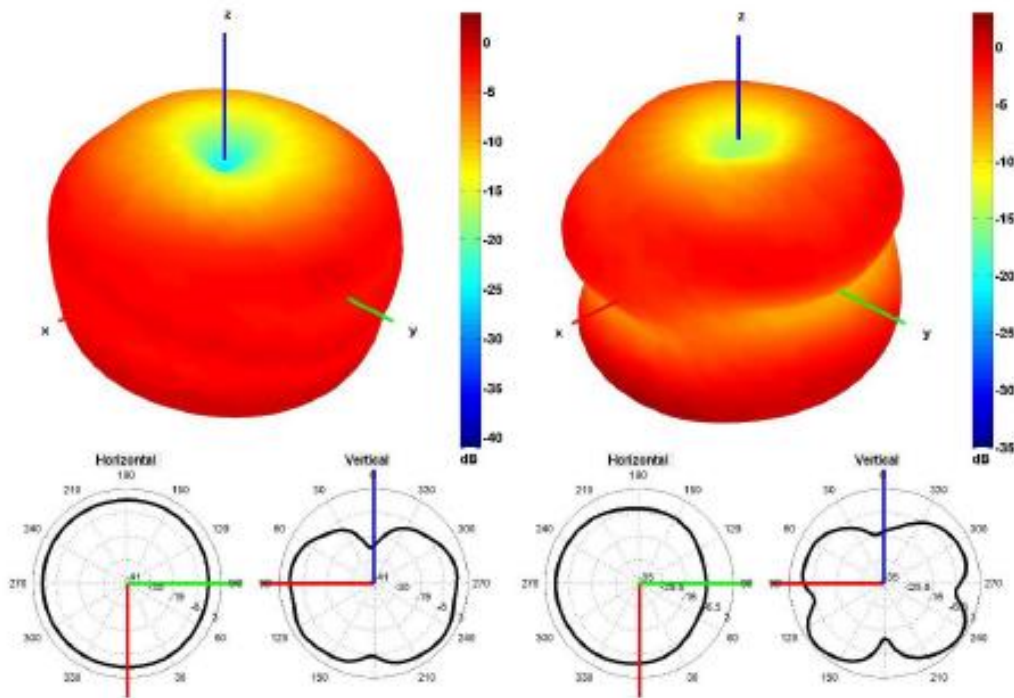


850 and 940 MHz Radiation pattern



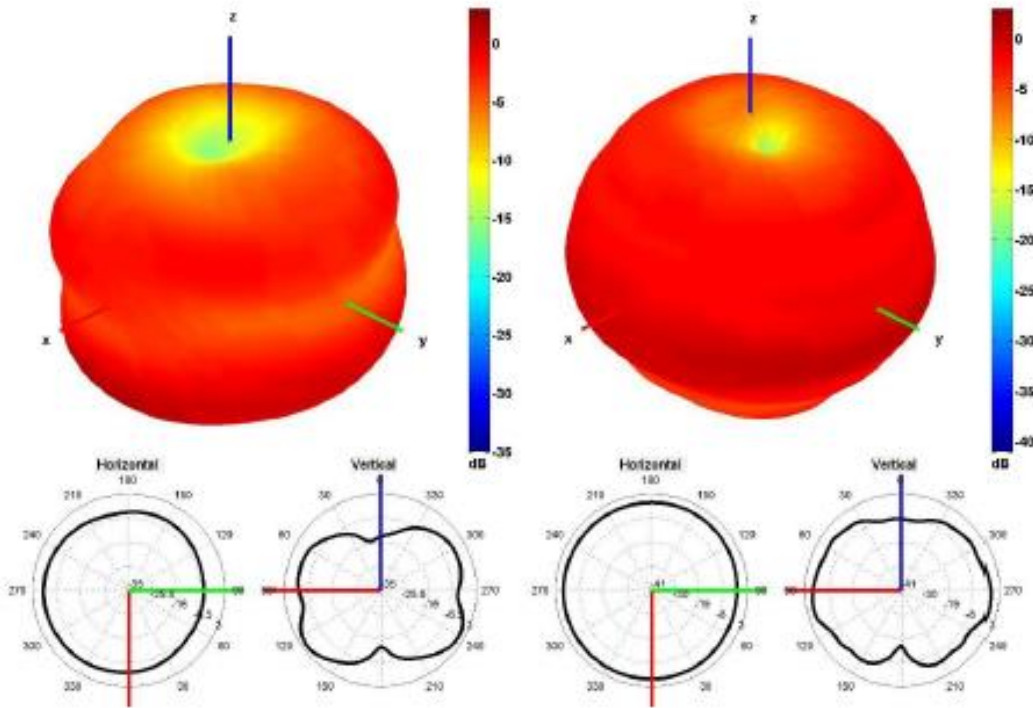


1500 and 1600 MHz Radiation pattern

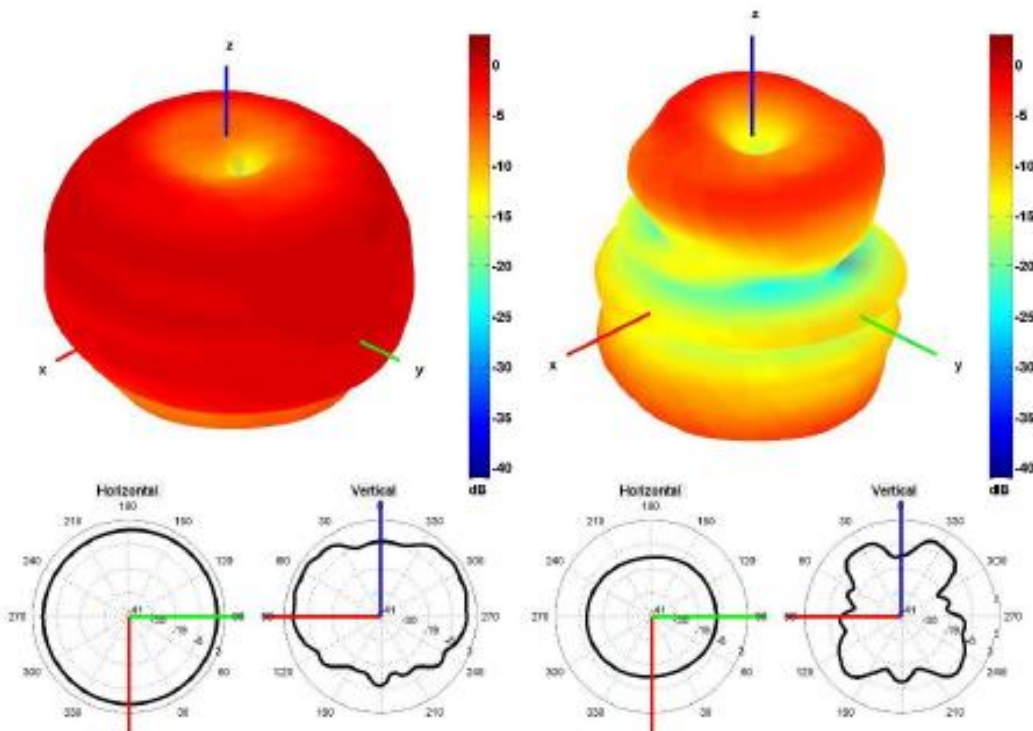


1750 and 1850 MHz Radiation pattern





1950 and 2100 MHz Radiation pattern



2350 and 2600 MHz Radiation pattern



