

AMC-ANT-2JW1126

Iridium connector mount antenna

Features

- Iridium
 - 1616 – 1627MHz
- Hinged connector mount
- High performance
- Ground plane independent
- Dimensions: 135 x 19 x 10mm



1. Antenna and electrical specifications

Parameters	Iridium antenna
Standards	Iridium
Band (MHz)	1621
Frequency (MHz)	1616 - 1627
Return Loss (dB)	~-14.8
VSWR	~1.4:1
Efficiency (%)	~85.5
Peak Gain (dBic)	~2.5
Average Gain (dB)	~-0.7
Impedance (Ohms)	50
Polarisation	Linear
Radiation Pattern	Omni-directional
Max. Input Power (W)	25
Connector Type	Black SMA male (other connectors available)

Measurement conditions:

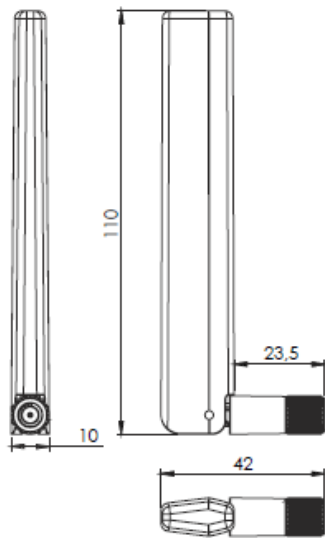
- Free space
- Measured in certified CTIA 3D anechoic chamber



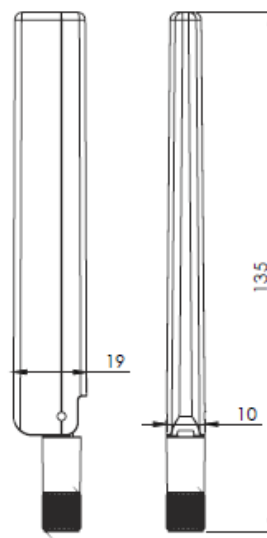
2. Mechanical and environmental specifications

Mounting Type	Connector mount
Dimensions (mm)	135 x 19 x 10
Radome	ASA
Radome Colour	Black
Connector Feature	Hinged
Operating Temperature (°C)	-40 to +85
Storage Temperature (°C)	-40 to +85
Substance Compliance	RoHS

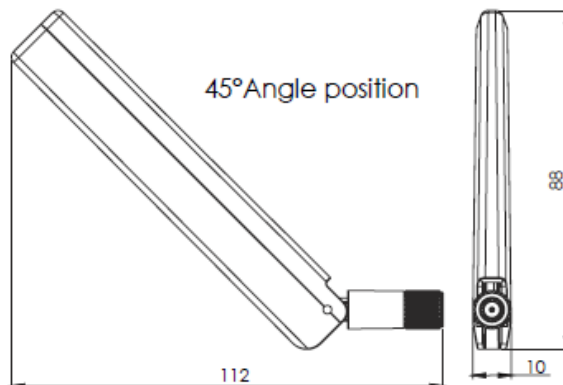
Right Angle position



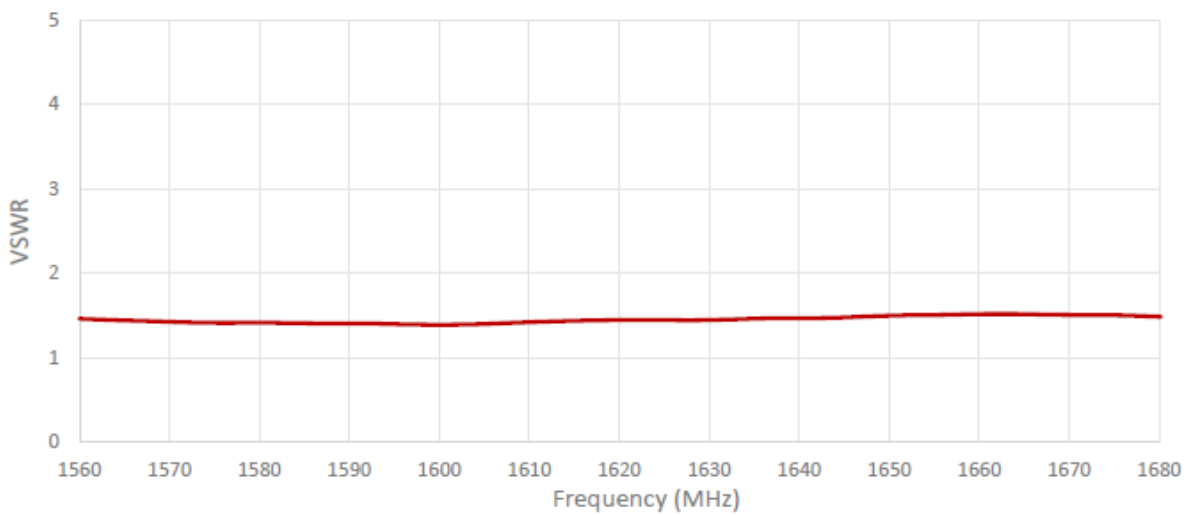
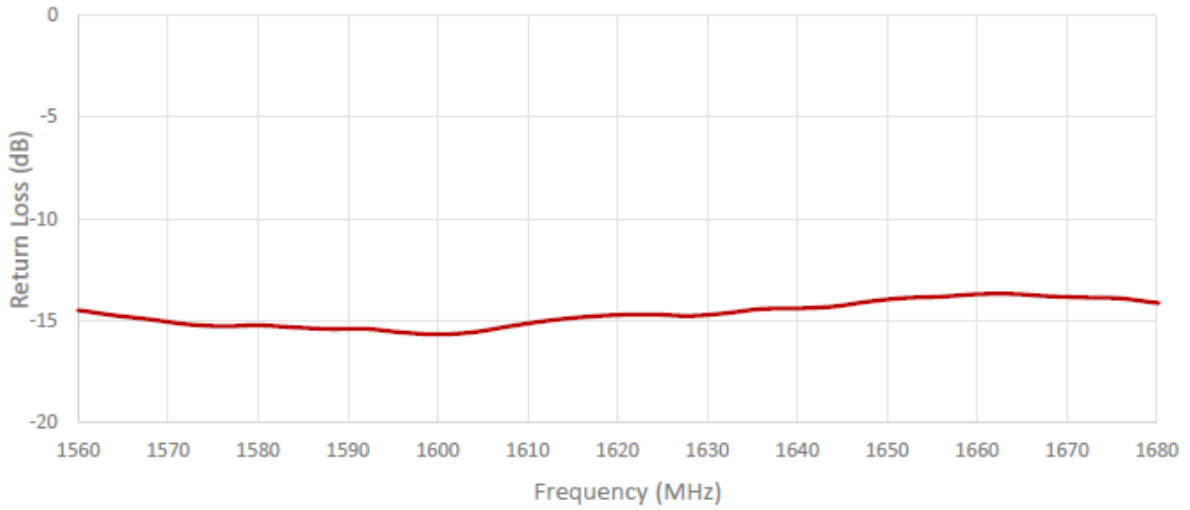
Straight position

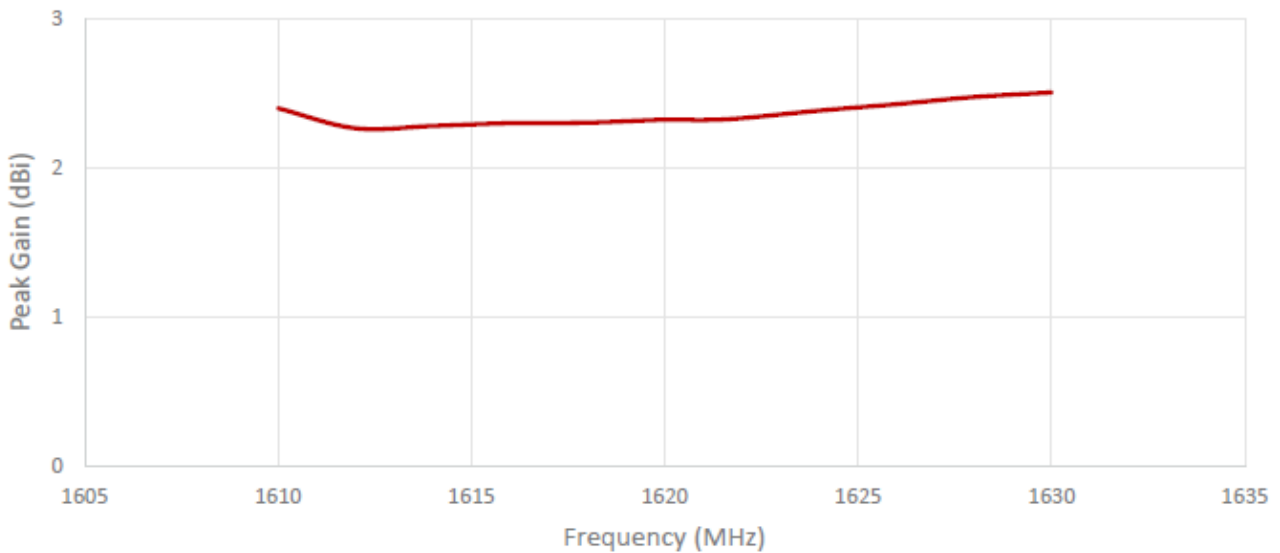
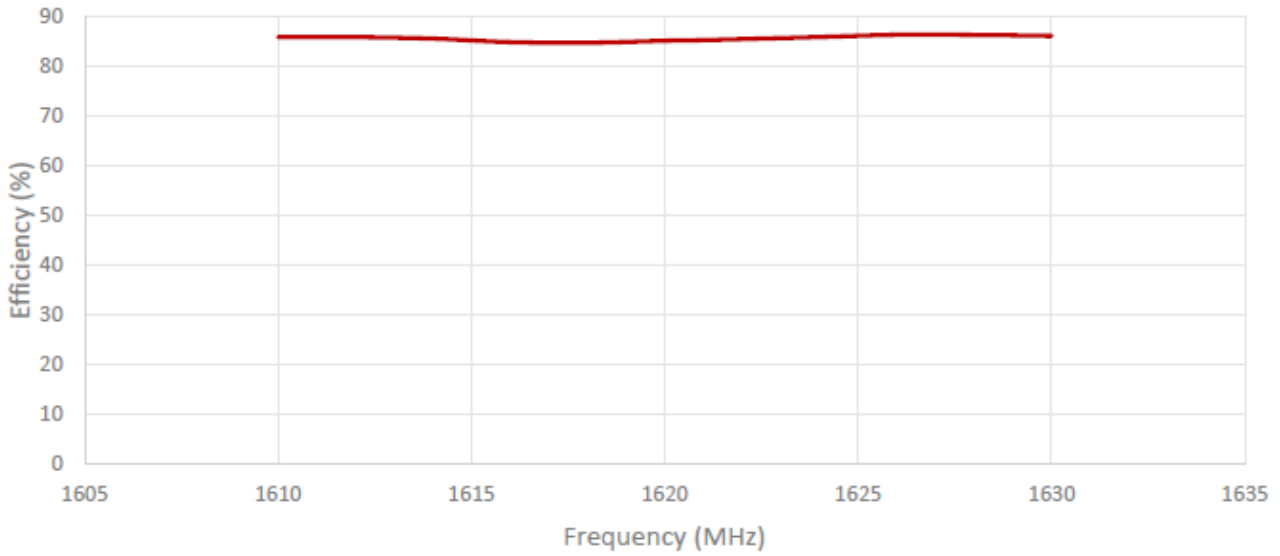


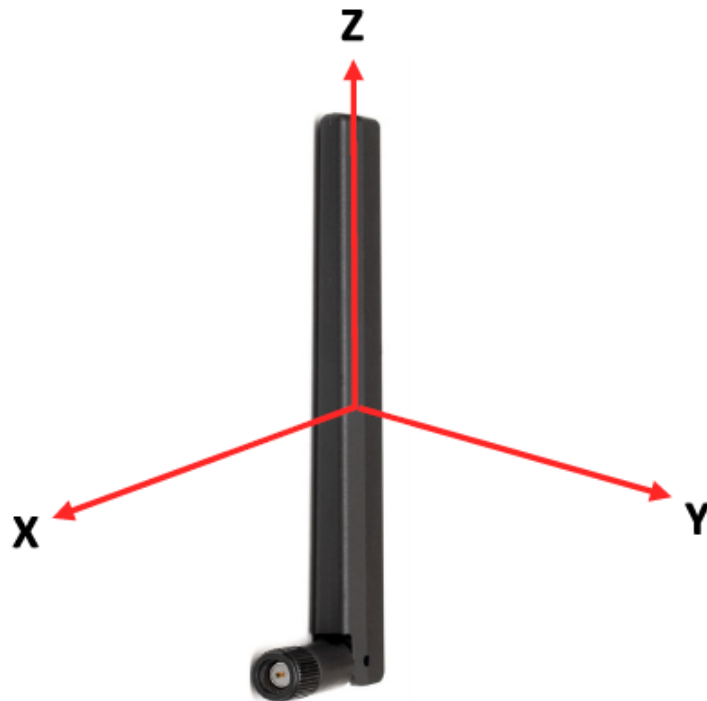
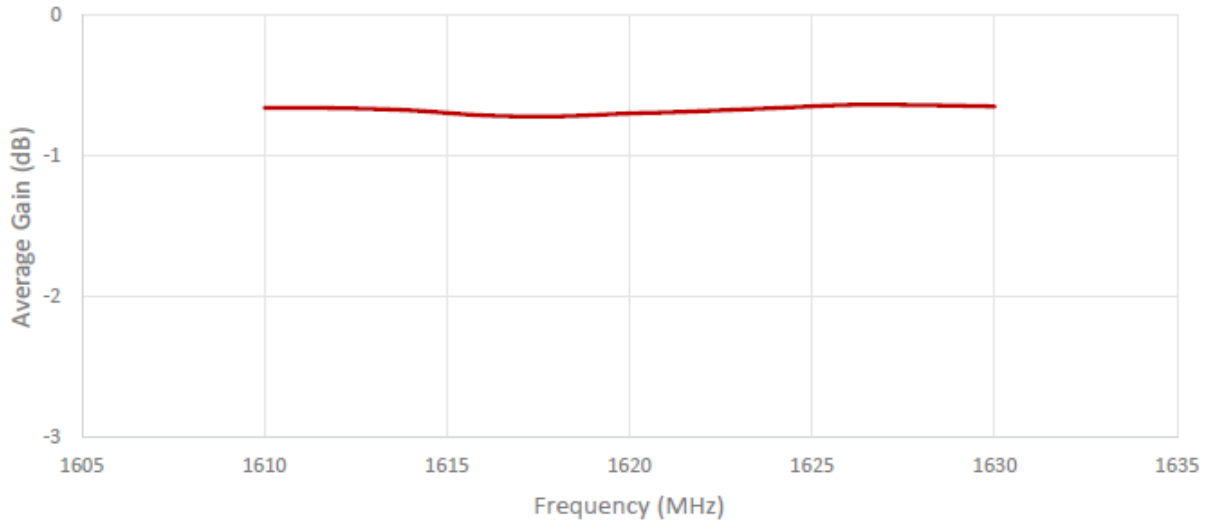
45° Angle position



3. Antenna parameters

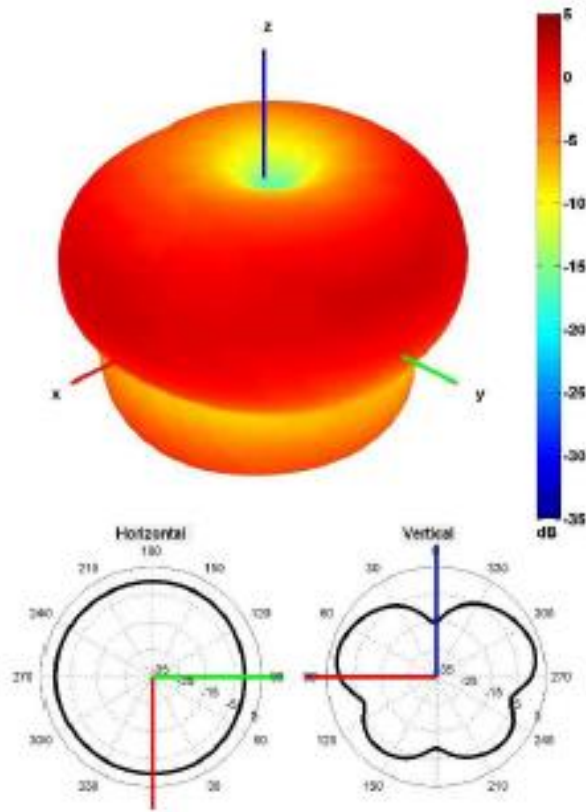






Radiation pattern reference





1621 MHz Radiation pattern

