

## AMC-ANT-2J7724M

### 4G LTE magnetic mount antenna

#### Features

- Cellular/LTE:
  - 698 – 960MHz
  - 1710 – 2170MHz
  - 2500 – 2700MHz
- Magnetic mount
- Ground plane dependent
- Dimensions: 68.2 x 54  $\varnothing$  mm
- Certificates: IP67, IP69, IK09
- Customisable cable and connector



## 1. Antenna and electrical specifications

Parameters	Cellular/LTE antenna		
Standards	2G/3G/4G		
Band (MHz)	700/850/900	1700/1800/1900/2100	2600
Frequency (MHz)	698 - 960	1710 - 2170	2500 - 2700
Return loss (dB)	~-11.0	~-21.8	~-17.5
VSWR	~1.9:1	~1.2:1	~1.4:1
Efficiency (%)	~60.1	~68.0	~56.4
Peak gain (dBi)	~1.8	~3.1	~2.9
Average gain (dB)	~-2.2	~-1.7	~-2.5
Impedance (Ohms)	50		
Polarisation	Linear		
Radiation pattern	Omni-Directional		
Max. input power (W)	25		
Connector Type	SMA male standard (other connectors available)		
Cable Length	3 metres standard (other lengths available)		
Cable Type	LMR100 standard (other cables available)		

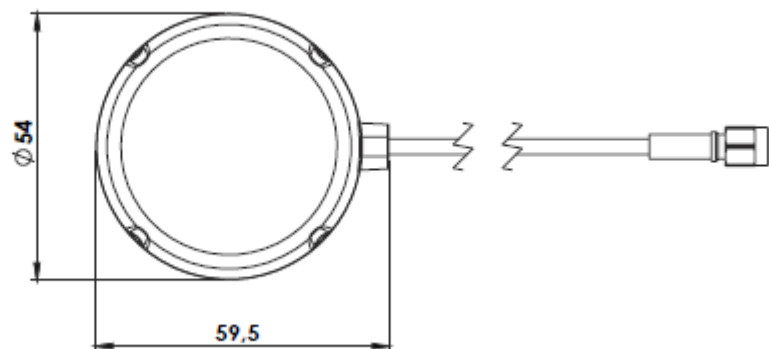
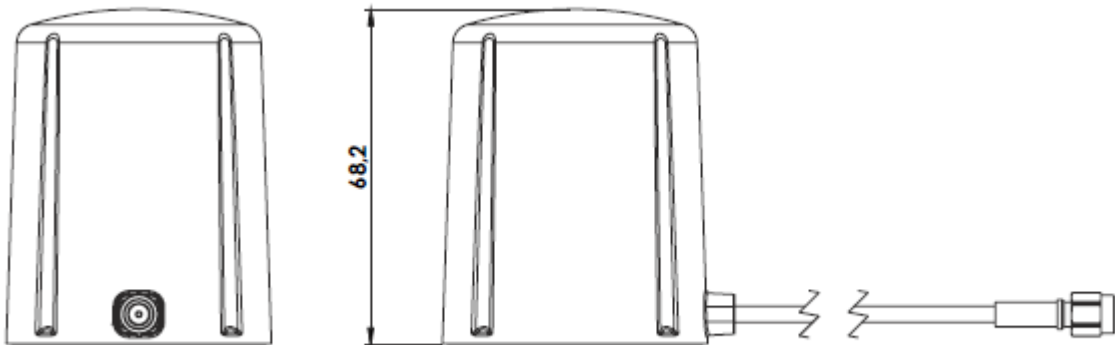
### Measurement conditions:

- Mounted on 30 x 30cm ground plane
- 2 metres LMR100 cable
- Measured in certified CTIA 3D Anechoic chamber

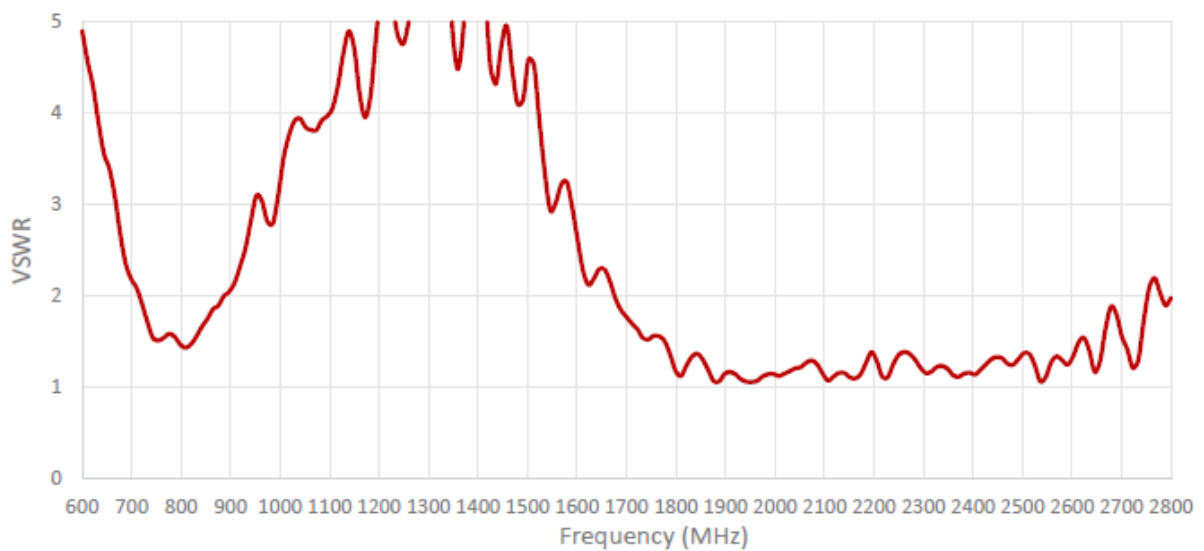
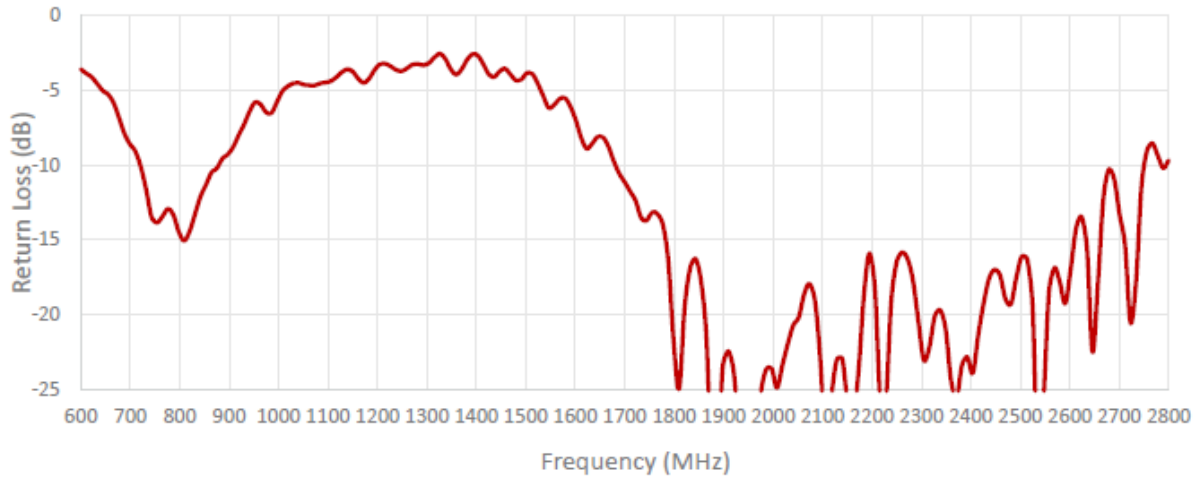


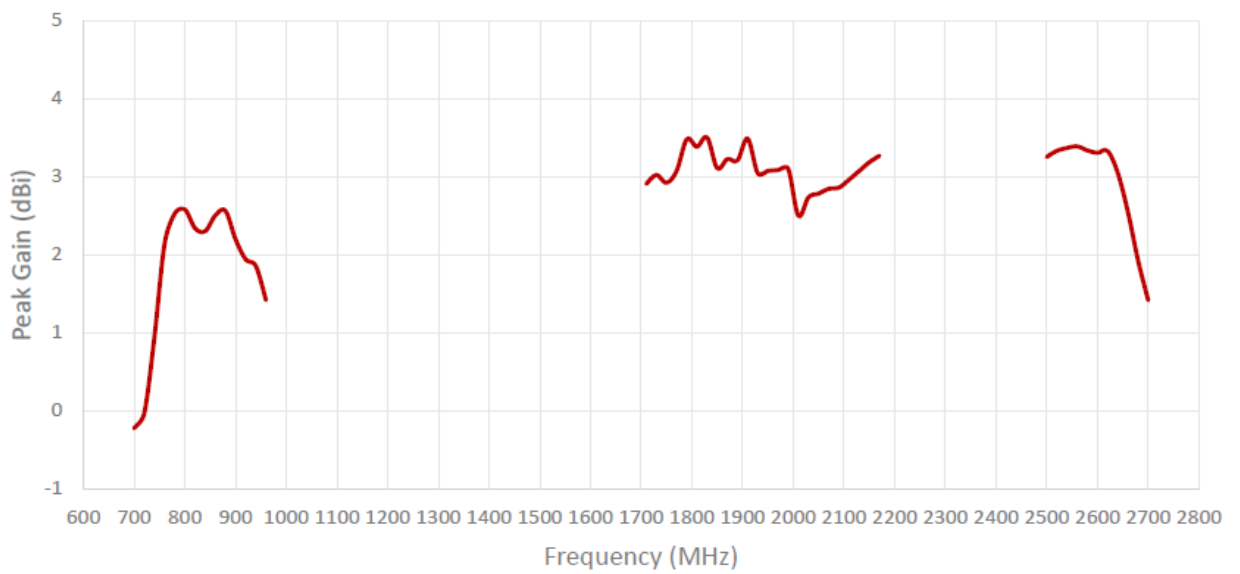
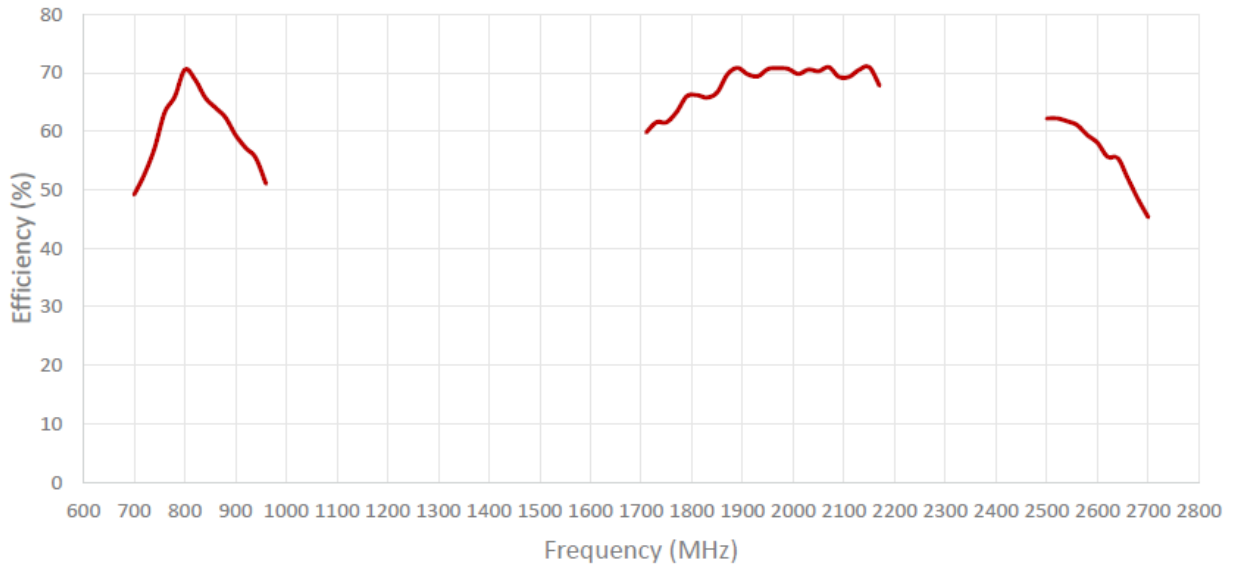
## 2. Mechanical and environmental specifications

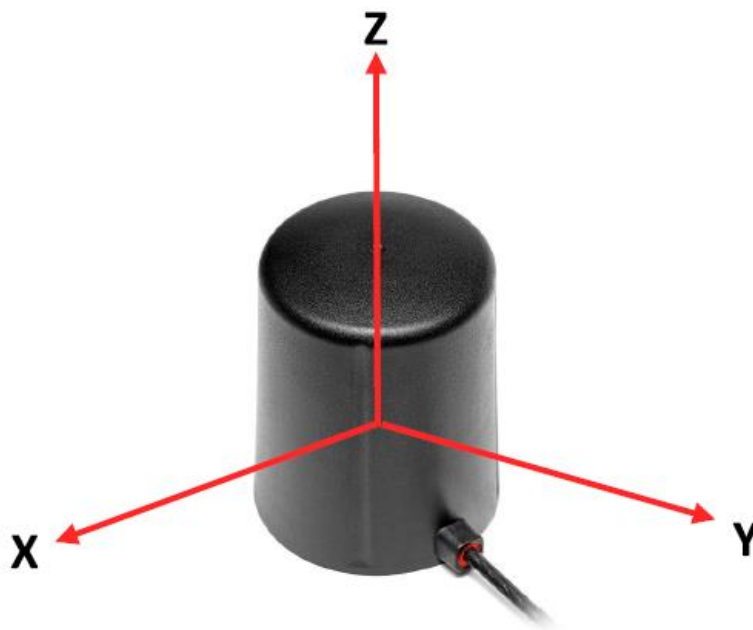
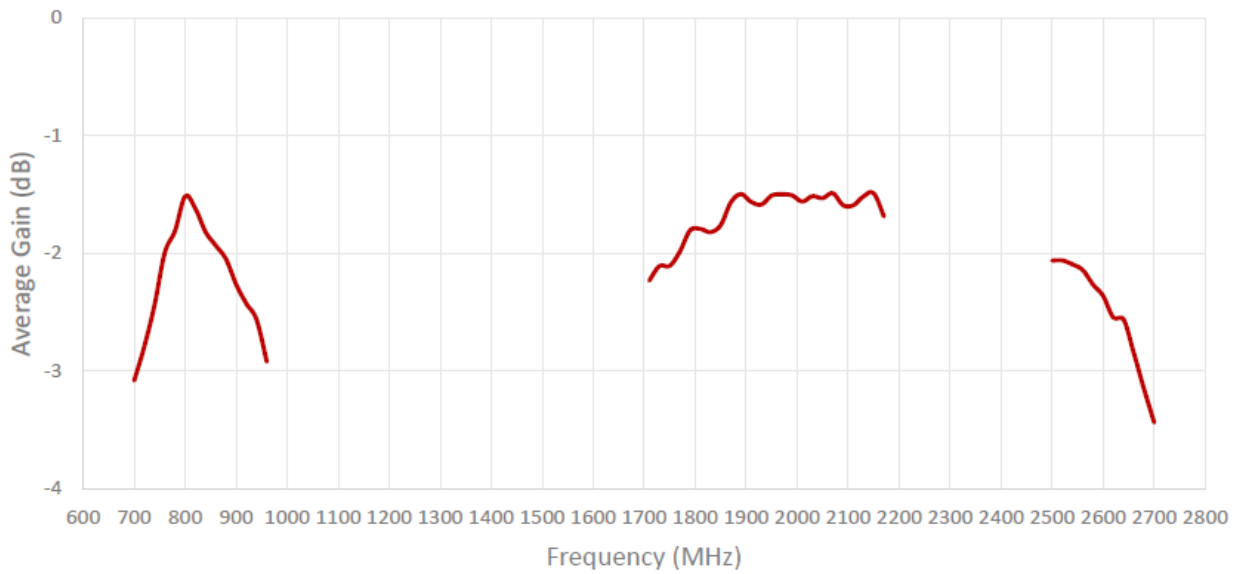
<b>Mounting type</b>	Magnetic mount
<b>Dimensions (mm)</b>	68.2 x 54 Ø
<b>Radome type</b>	ASA
<b>Radome colour</b>	Black
<b>Antenna base</b>	Zamak
<b>Operating temperature (°C)</b>	-40 to +85
<b>Storage temperature (°C)</b>	-40 to +85
<b>Substance compliance</b>	RoHS
<b>Certificates</b>	IP67, IP69, IK09



### 3. Antenna parameters

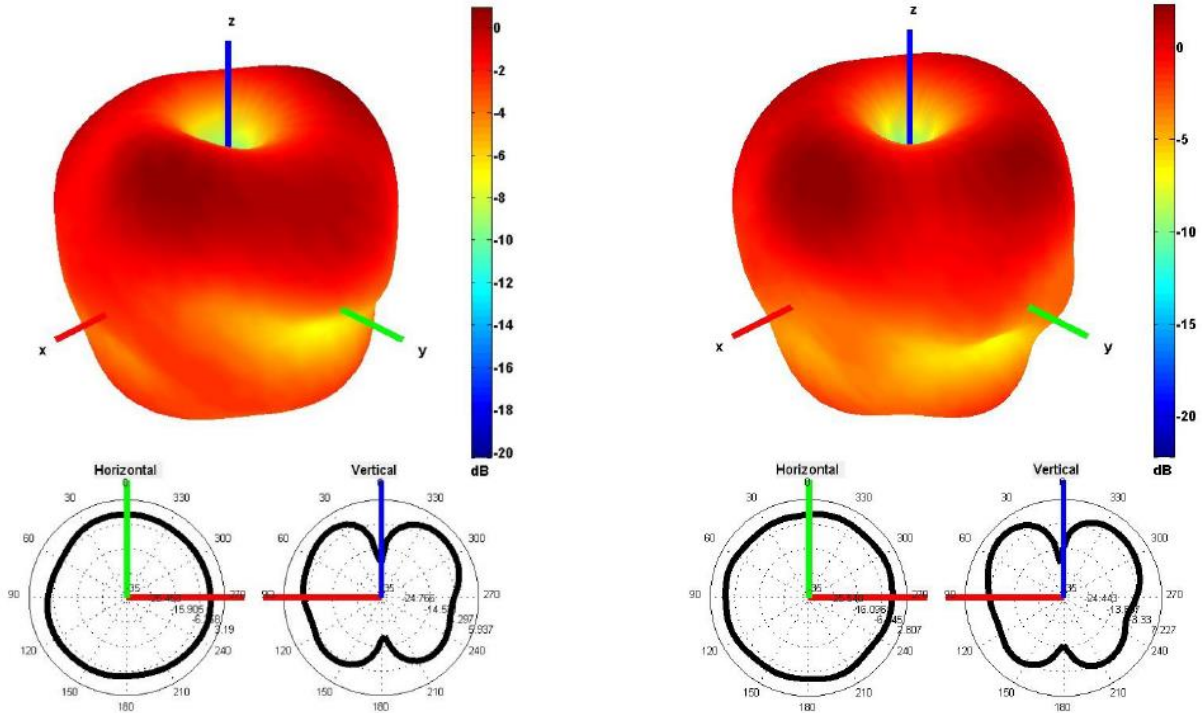




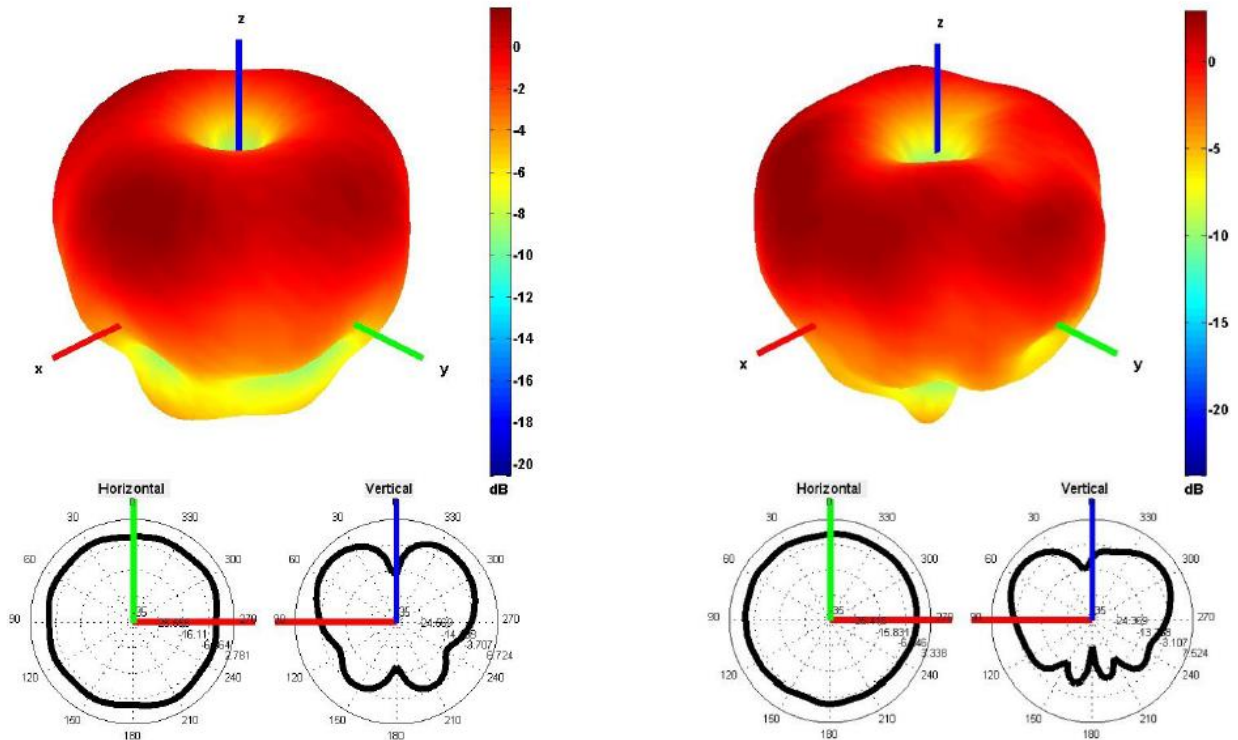


Radiation pattern reference



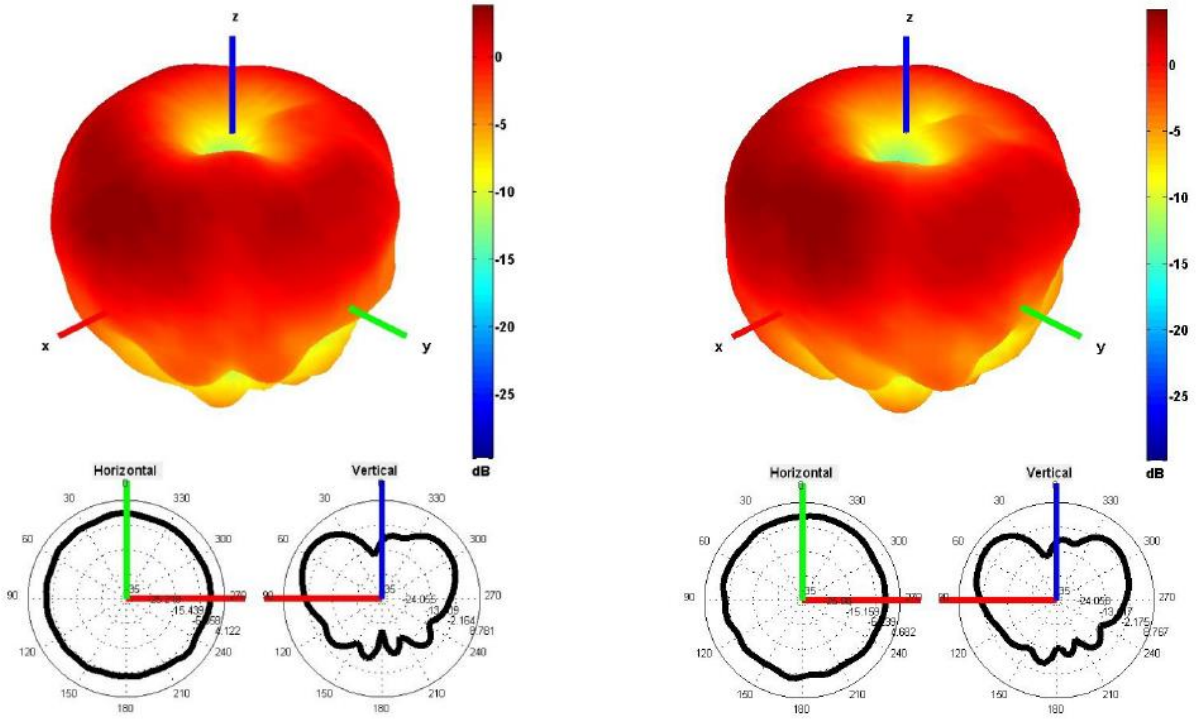


750 and 850 MHz Radiation pattern

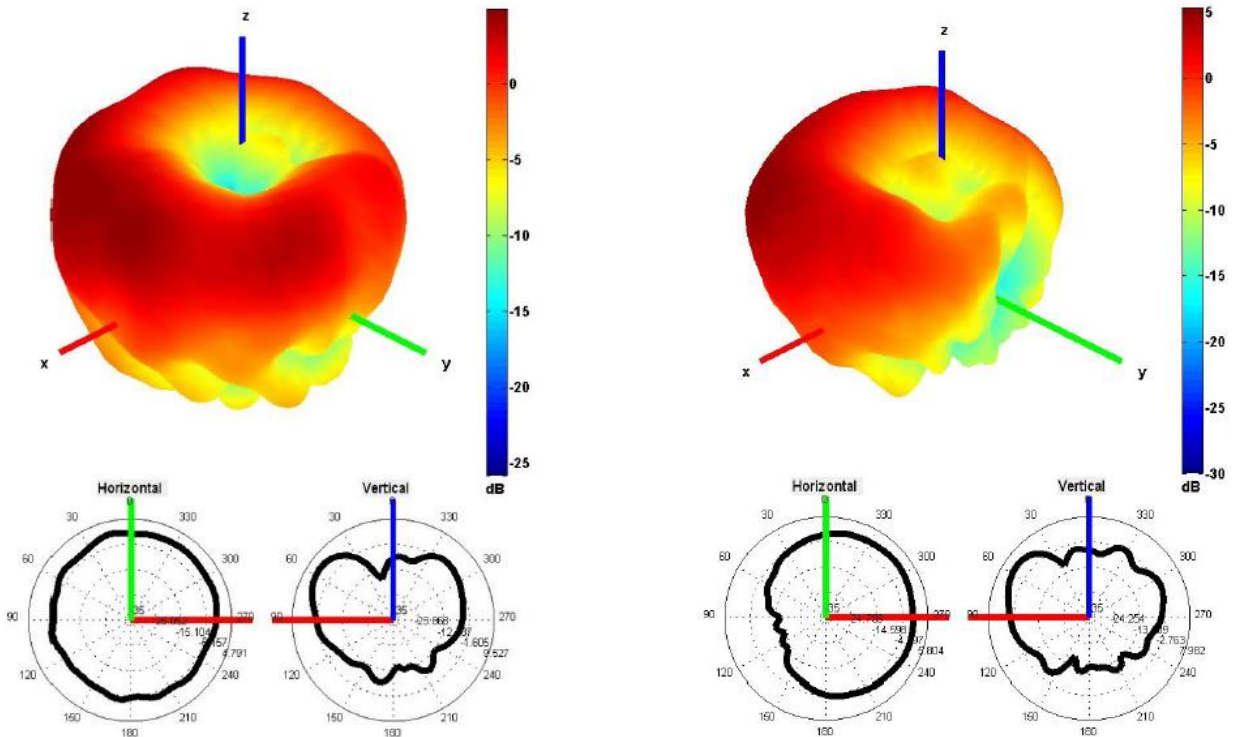


940 and 1750 MHz Radiation pattern





1850 and 1950 MHz Radiation pattern



2100 and 2600 MHz Radiation pattern

