

AMC-ANT-2J6A24B

4G LTE screw mount antenna

Features

- Cellular/LTE:
 - 698 – 960MHz
 - 1710 – 2170MHz
 - 2500 – 2700MHz
- Screw mount
- Anti-rotation mechanism
- Ground plane dependent
- Certificates: IP67, IP69K, IK09
- Dimensions: \varnothing 77.3 x 65.5mm
- Customisable cable length and connector



1. Antenna and electrical specifications

Parameters	Cellular/LTE antenna		
Standards	2G/3G/4G		
Band (MHz)	700/850/900	1700/1800/1900/2100	2600
Frequency (MHz)	698 - 960	1710 - 2170	2500 - 2700
Return loss (dB)	~-10.3	~-14.8	~-15.1
VSWR	~2.1:1	~1.5:1	~1.5:1
Efficiency (%)	~52	~62	~50
Peak gain (dBi)	~0.7	~3.4	~4.0
Average gain (dB)	~-2.9	~-2.1	~-3.0
Impedance (Ohms)	50		
Polarisation	Linear		
Radiation pattern	Omni-Directional		
Max. input power (W)	25		
Connector type	SMA male standard (other connectors available)		
Cable length	3 metres standard (other lengths available)		
Cable type	DACAR 302 standard (other cables available)		

Measurement conditions:

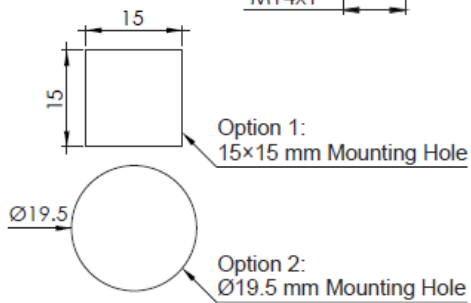
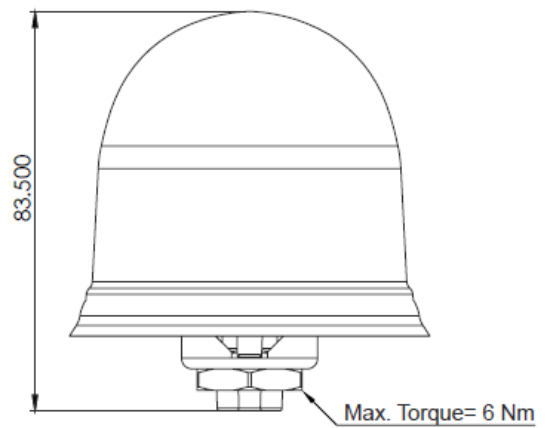
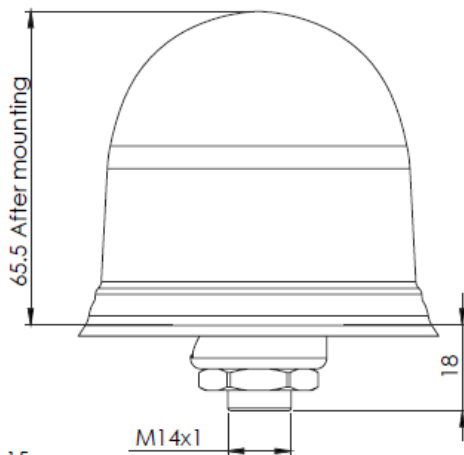
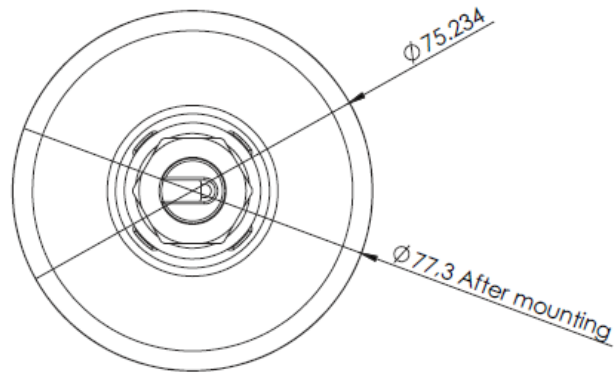
- Mounted on 30 x 30cm ground plane
- 2m DACAR 302 cable
- Measured in certified CTIA 3D anechoic chamber



2. Mechanical and environmental specifications

Mounting type	Screw mount
Dimensions (mm)	Ø 77.3 x 65.5
Max. tighten torque (Nm)	6
Radome	ASA
Radome colour	Black
Antenna base	Zamak
Gasket	TPE
Operating temperature (°C)	-40 to +85
Storage temperature (°C)	-40 to +85
Substance compliance	RoHS
Certificates	IP67, IP69K, IK09

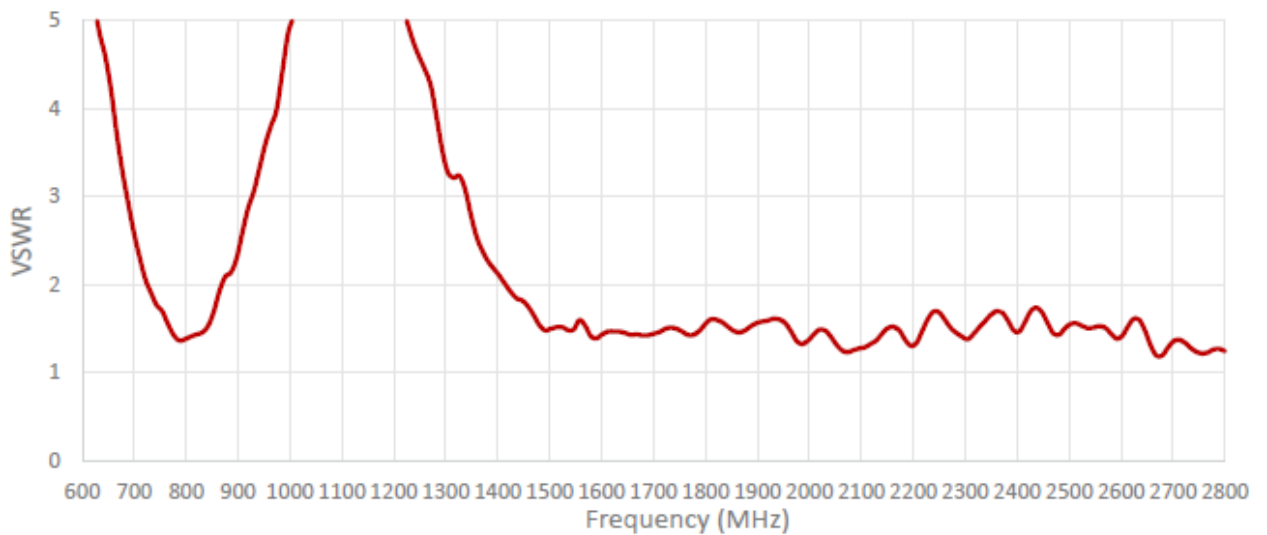
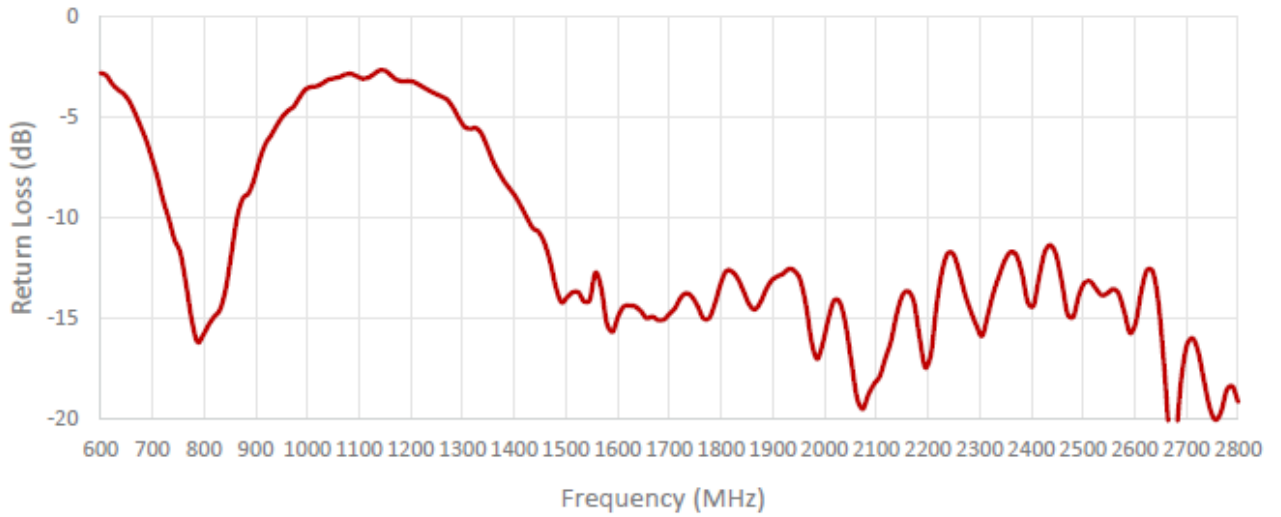


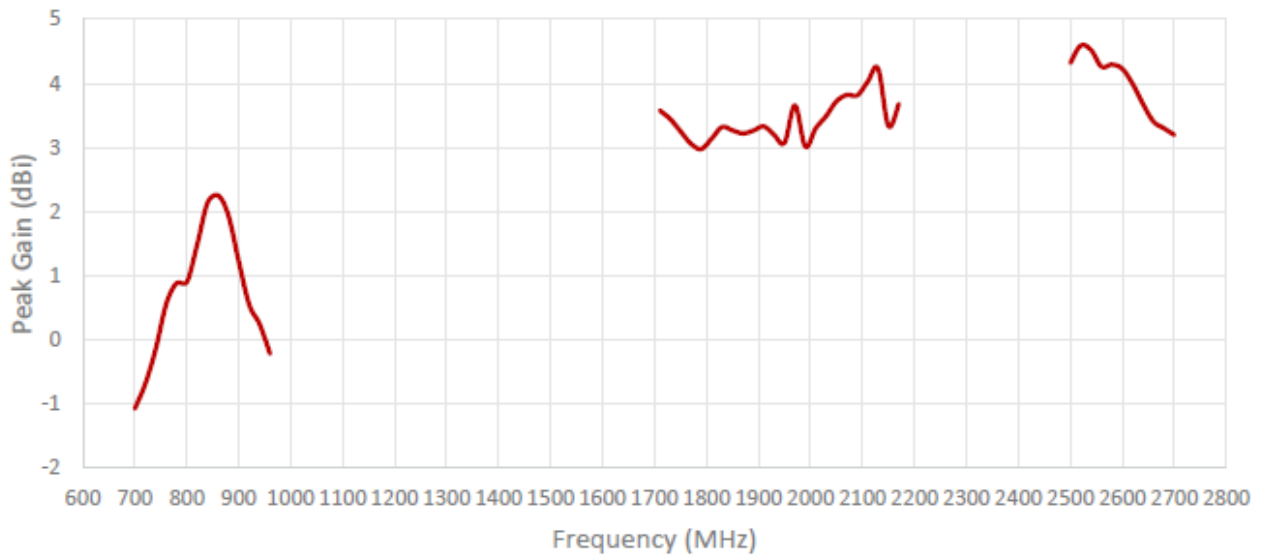
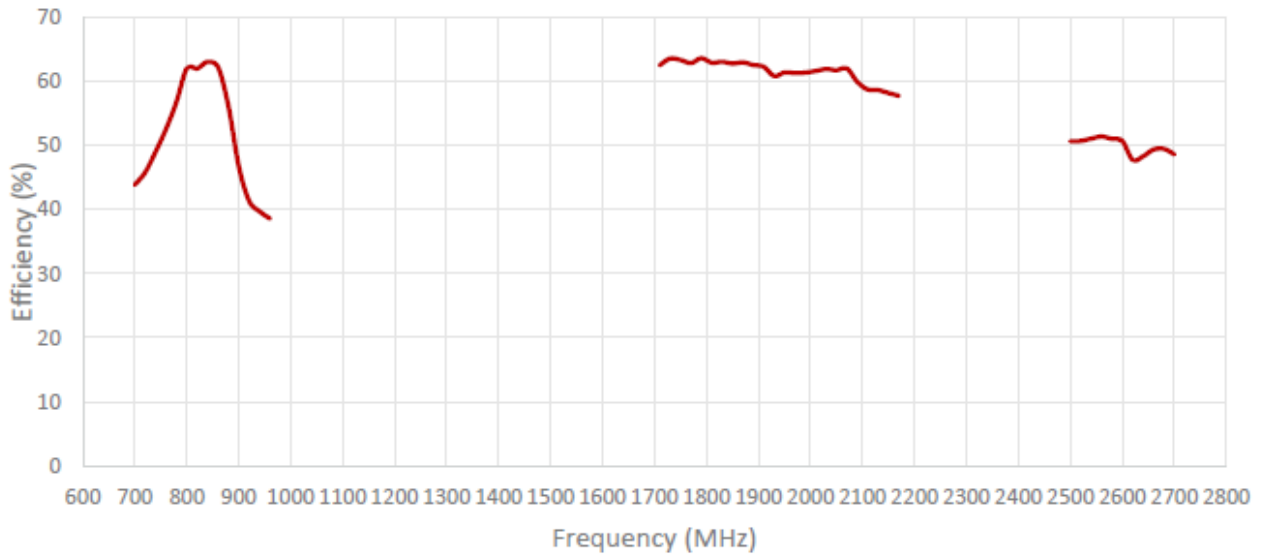


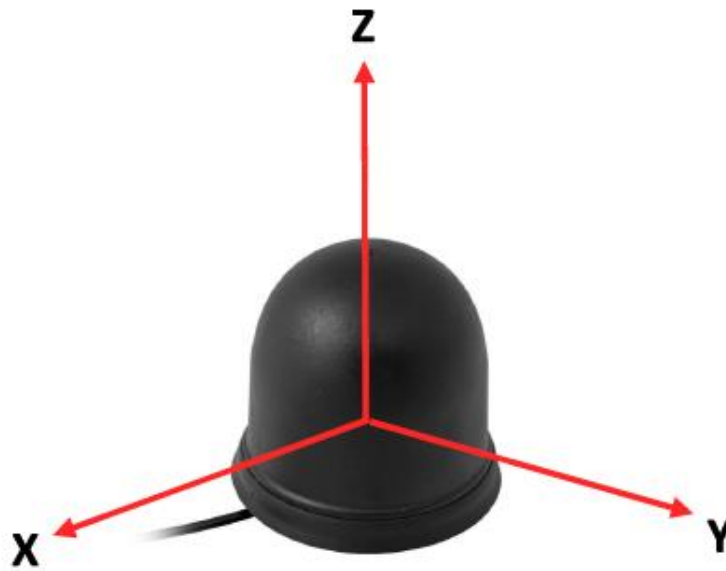
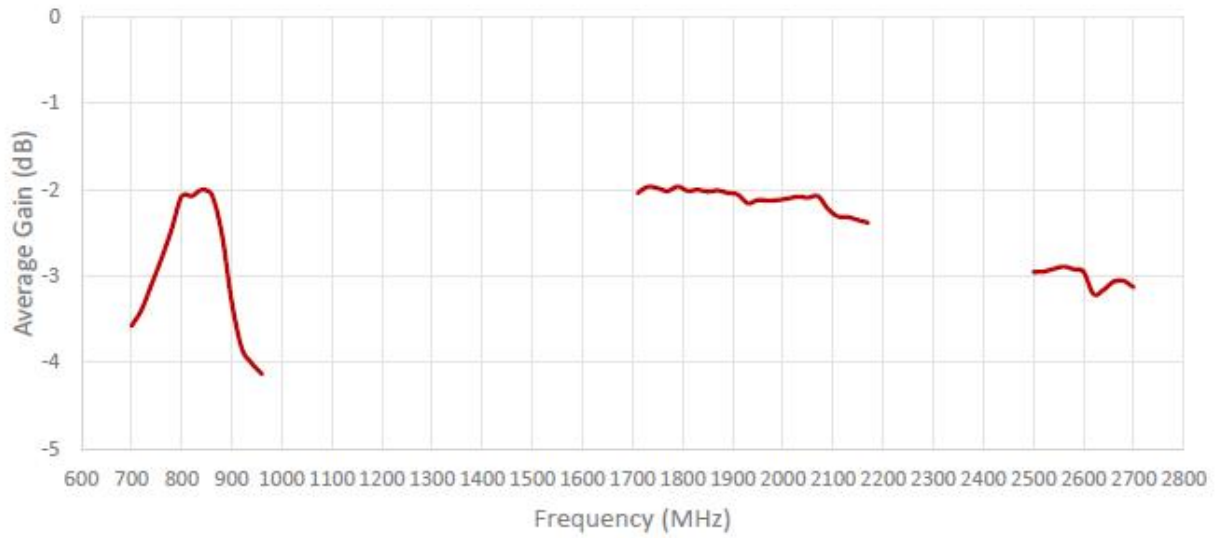
Note: Dimensions are in millimeters
*Dimensions are after mounting
**Max. Torque= 6 Nm



3. Antenna parameters

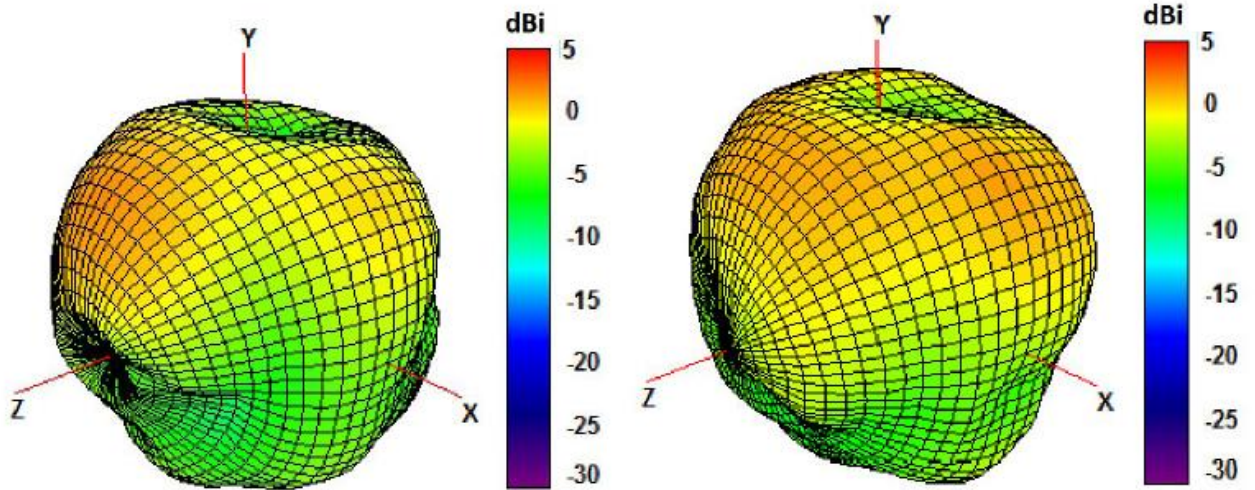




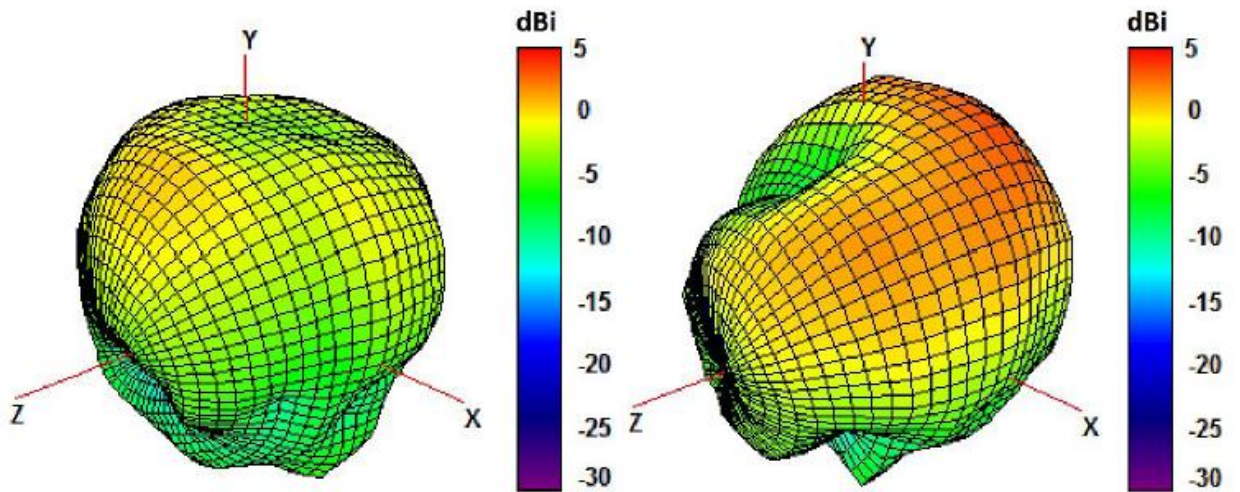


Radiation pattern reference



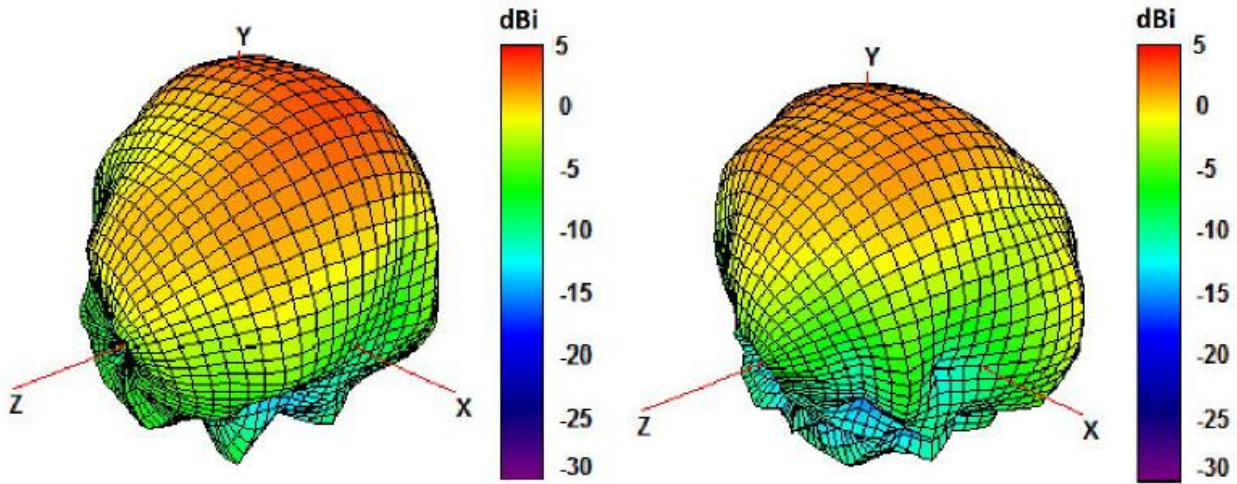


750 and 850 MHz Radiation pattern

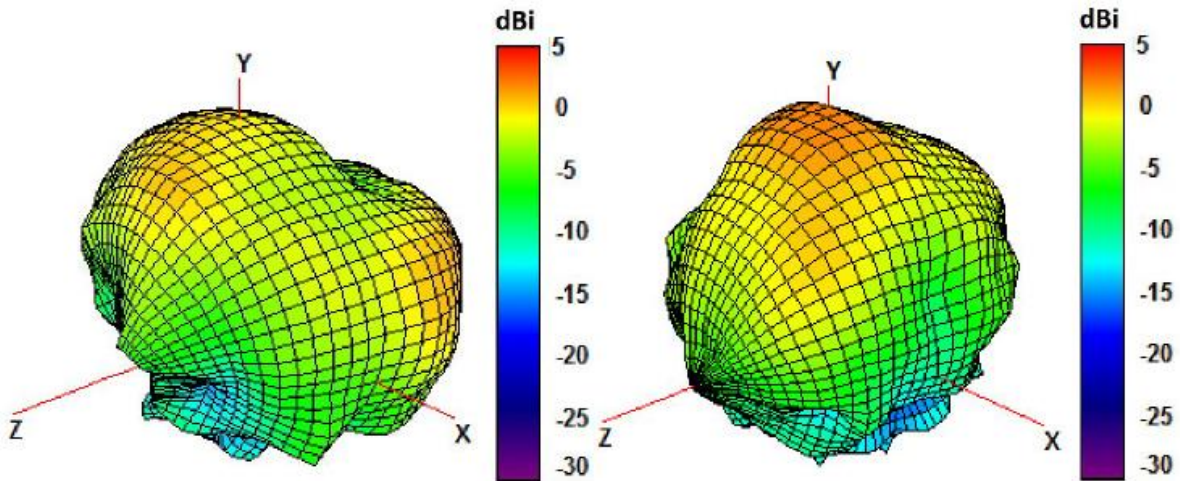


940 and 1750 MHz Radiation pattern





1850 and 1950 MHz Radiation pattern



2100 and 2600 MHz Radiation pattern

