

## AMC-ANT-2J6934B

### Combi GPS & Iridium screw mount antenna

#### Features

- **GPS/QZSS/Galileo and Iridium**
  - 1575MHz
  - 1616 – 1627MHz
- Screw mount
- Iridium certified
- Low profile
- High gain
- Single feed technology
- Anti-rotation mechanism
- Ground plane independent
- Certificates: IP67, IP69
- Dimensions: 80 x 74 x 25.6mm
- Customisable cable and connector



## 1. Antenna and electrical specifications

Parameters	GNSS and Iridium screw mount antenna	
Standards	GPS/QZSS/Galileo	Iridium
Band (MHz)	1575	1621
Frequency (MHz)	1575.42	1616 - 1627
Return Loss (dB)	~-27.6	~-21.6
VSWR	~1.1:1	~1.3:1
Efficiency (%)	~93.8	~92.9
Peak Gain (dBi)	~5.1	~5.7
Average Gain (dB)	~-0.3	~-0.3
Impedance (Ohms)	50	
Radiation Pattern	Hemispherical	
Polarisation	RHCP	
Connector Type	SMA male standard (other connectors available)	
Cable Length	3 metres standard (other lengths available)	
Cable Type	LMR195 standard (other cables available)	

### Antenna measurement conditions:

- Mounted on metal plate of 70 x 70mm
- 200 mm LMR195 cable
- Measured in certified CTIA 3D anechoic chamber

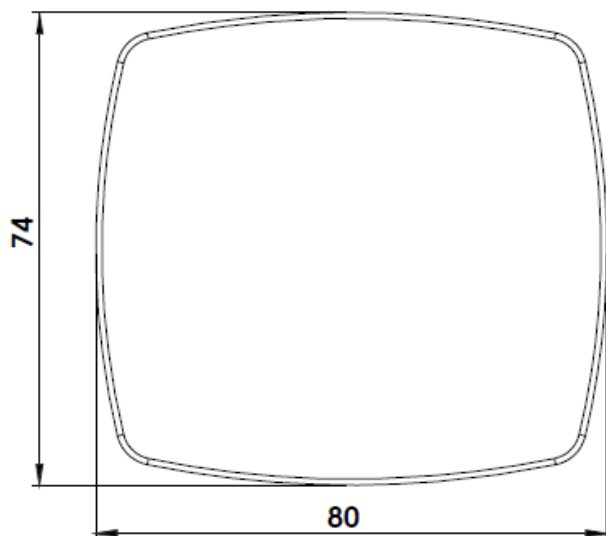
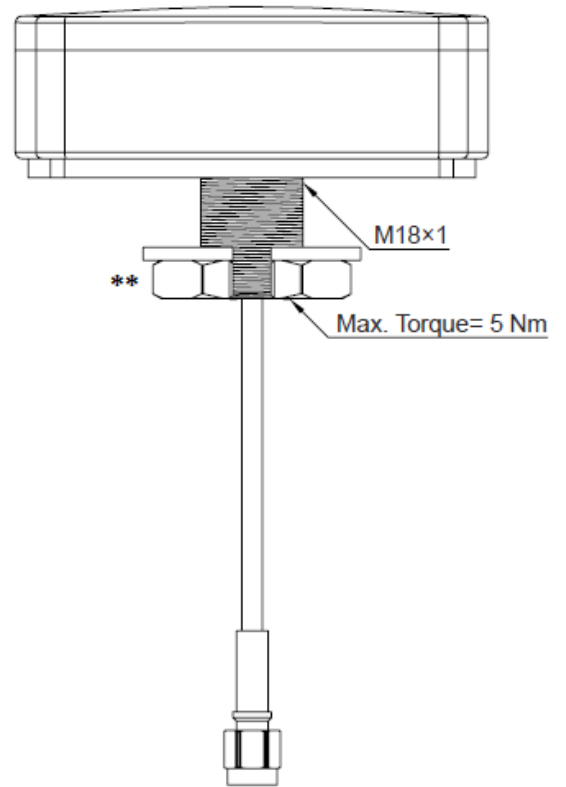
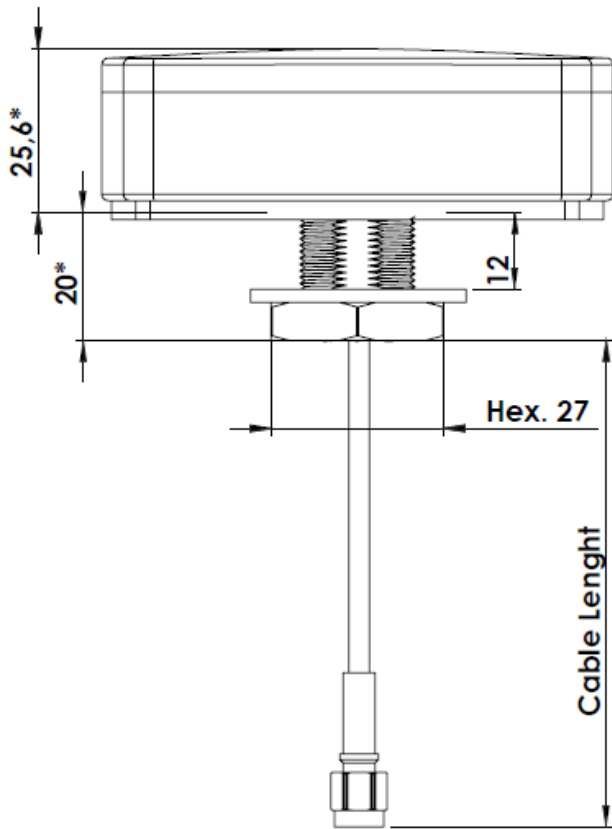


## 2. Mechanical and environmental specifications

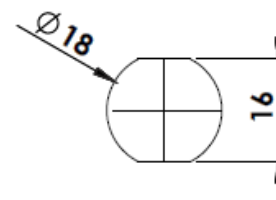
<b>Mounting Type</b>	Screw mount
<b>Dimensions (mm)</b>	80 x 74 x 25.6
<b>Max. Tighten Torque (Nm)</b>	5
<b>Radome</b>	ABS UV stable
<b>Radome Colour</b>	Black, white
<b>Operating Temperature (°C)</b>	-40 to +85
<b>Storage Temperature (°C)</b>	-40 to +85
<b>Substance Compliance</b>	RoHS
<b>Certificates</b>	Iridium Certified, IP67, IP69



### 3. Antenna drawings



#### Mounting hole

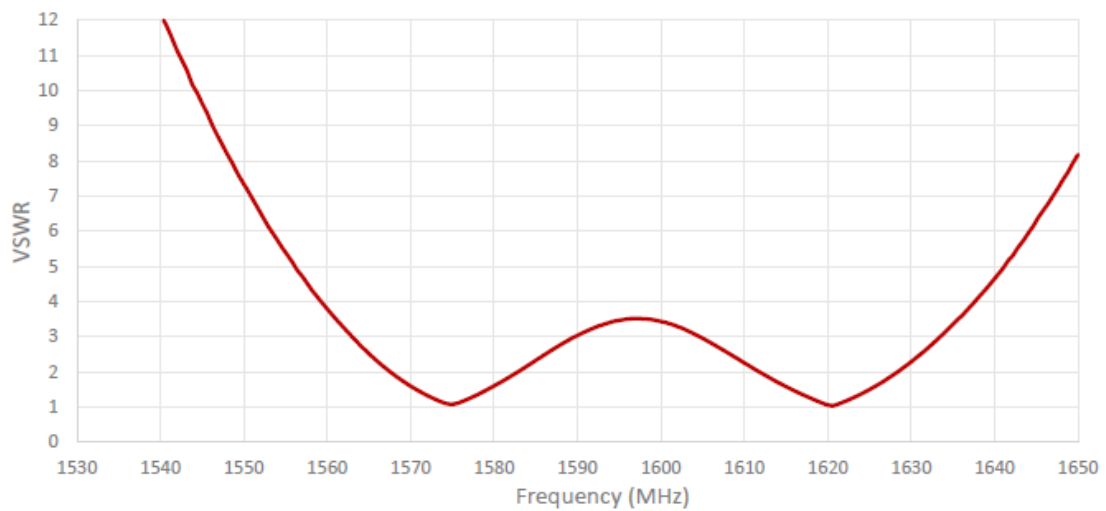
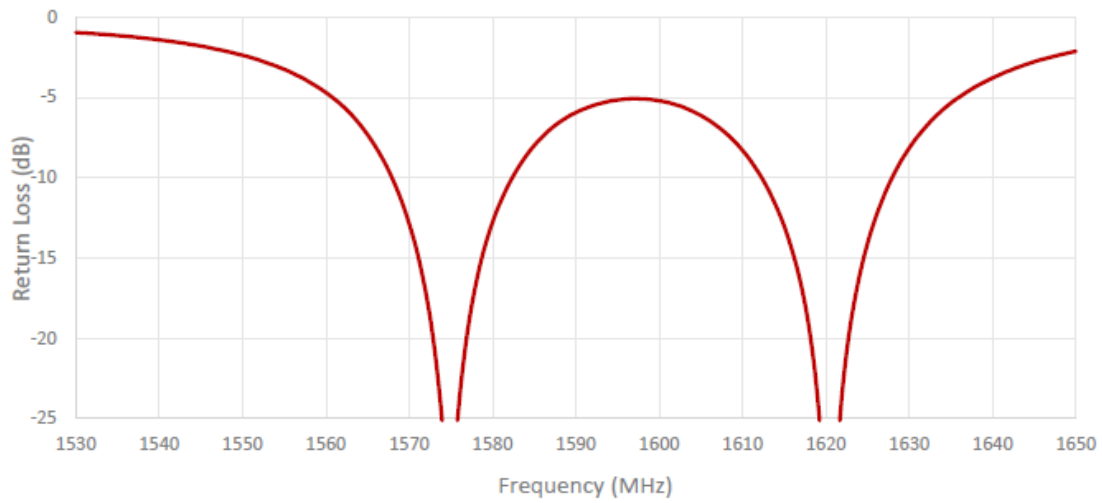


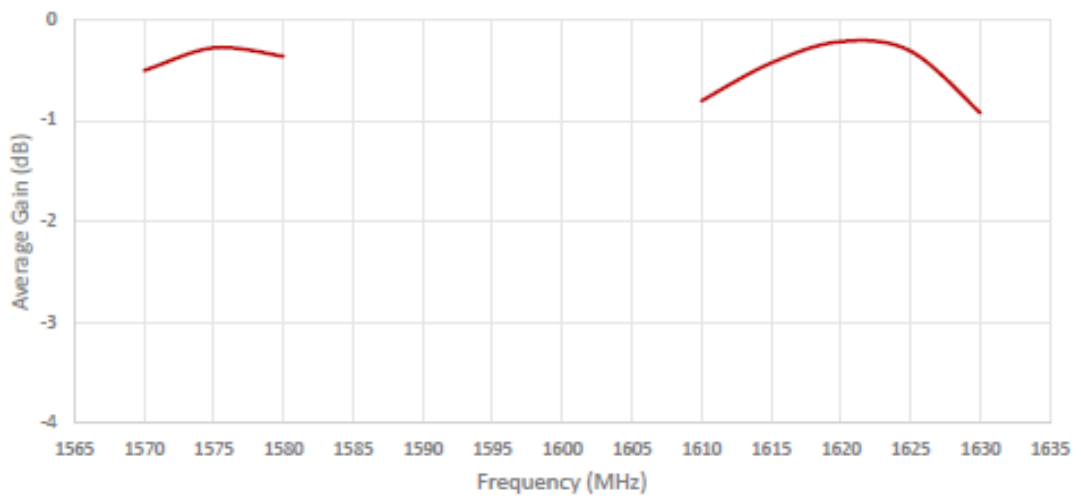
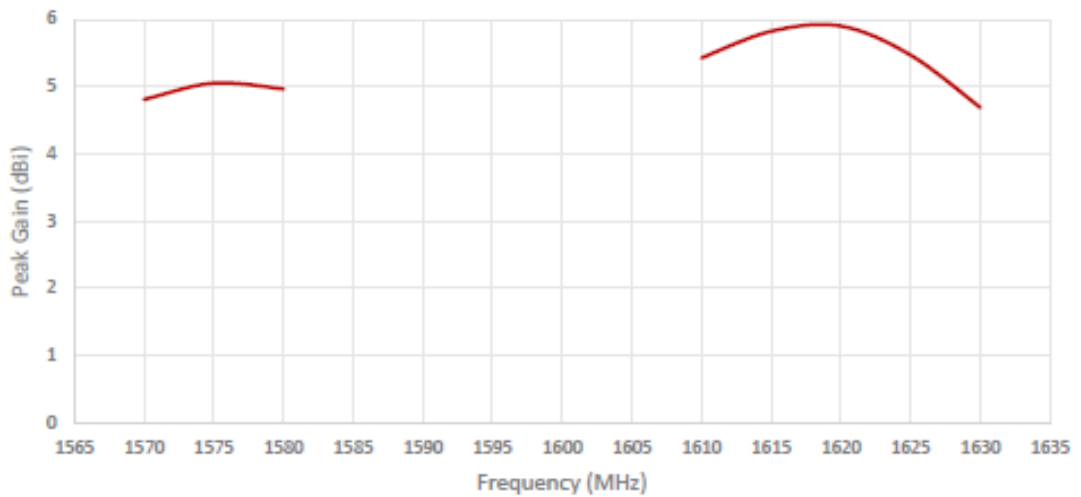
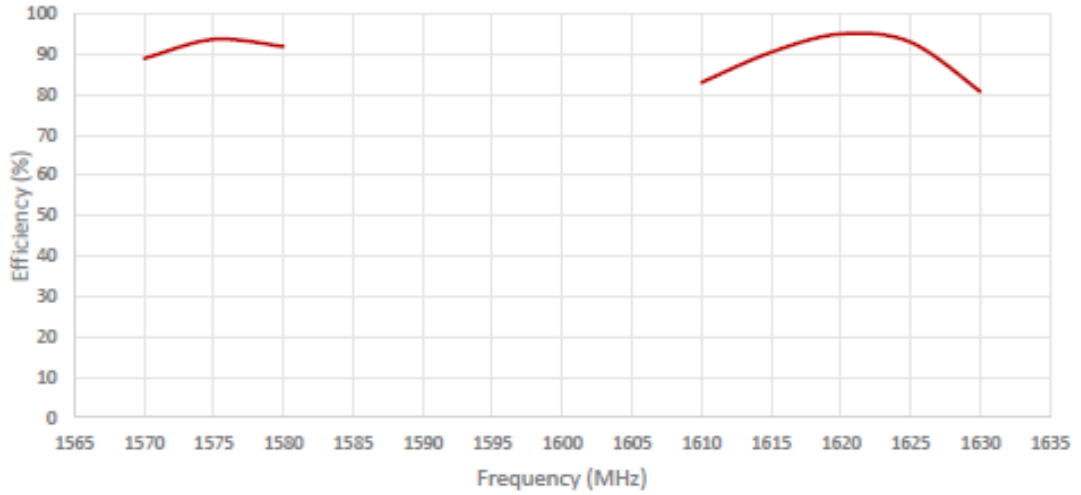
Max. mounting thickness 12mm  
Note: Dimensions are in millimeters  
\*Dimensions are after mounting  
\*\*Max. Torque= 5 Nm

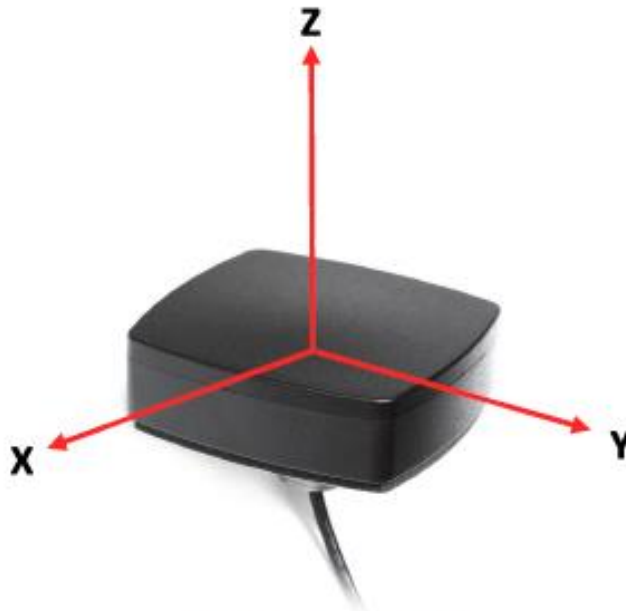


#### 4. Antenna parameters

Cable 1: IRIDIUM/GPS

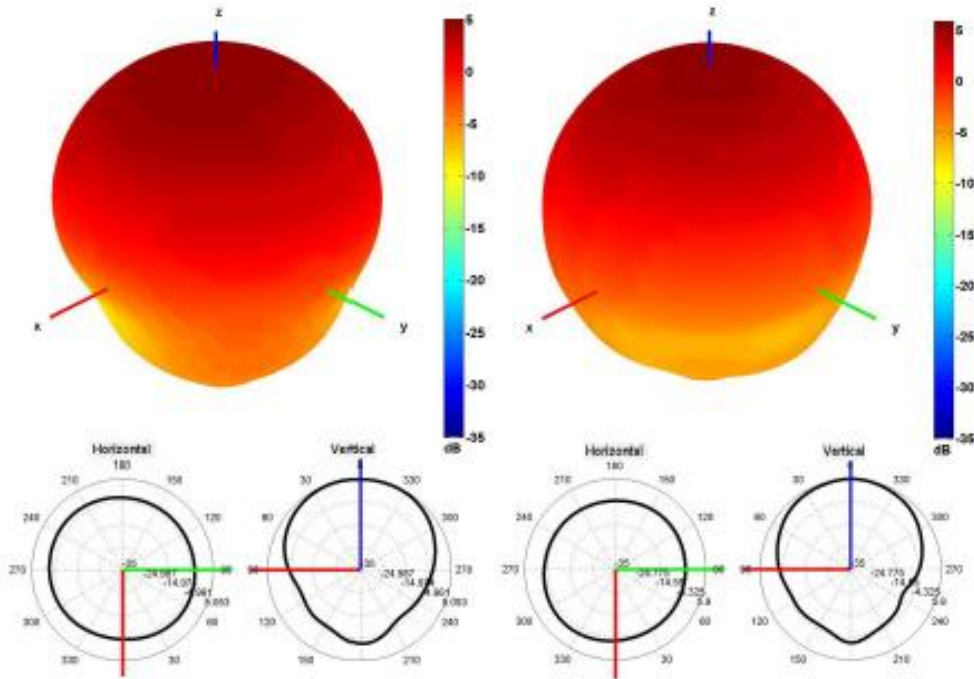






Radiation pattern reference

Cable 1: IRIDIUM/GPS



1575 and 1621 MHz Radiation pattern

