

AMC-ANT-2JF0424P

Cellular/LTE flexible polymer (FPC) antenna

Features

- Cellular/LTE
 - 698 – 960MHz
 - 1710 – 2170MHz
 - 2500 – 2700MHz
- Ground plane independent
- High performance
- Flexible material
- Self-adhesive
- Dimensions: 136.8 x 32.6 x 0.2mm
- Customisable cable and connector



1. Antenna and electrical specifications

Parameters	Cellular/LTE Antenna		
Standards	2G/3G/4G		
Band (MHz)	700/850/900	1700/1800/1900/2100	2600
Frequency (MHz)	698 - 960	1710 - 2170	2500 - 2700
Return Loss (dB)	~-13.6	~-23.5	~-11.8
VSWR	~1.7:1	~1.1:1	~1.7:1
Efficiency (%)	~58	~74	~61
Peak Gain (dBi)	~1.5	~3.1	~3.5
Average Gain (dB)	~-2.4	~-1.3	~-2.0
Impedance (Ohms)	50		
Polarisation	Linear		
Radiation Pattern	Omni-Directional		
Max. Input Power (W)	25		
Connector Type	U.FL standard (other connectors available)		
Cable Length	150mm standard (other lengths available) * Cable length is measured from the solder point in the centre of the antenna		
Cable Type	1.37mm mini coax standard (other cables available)		

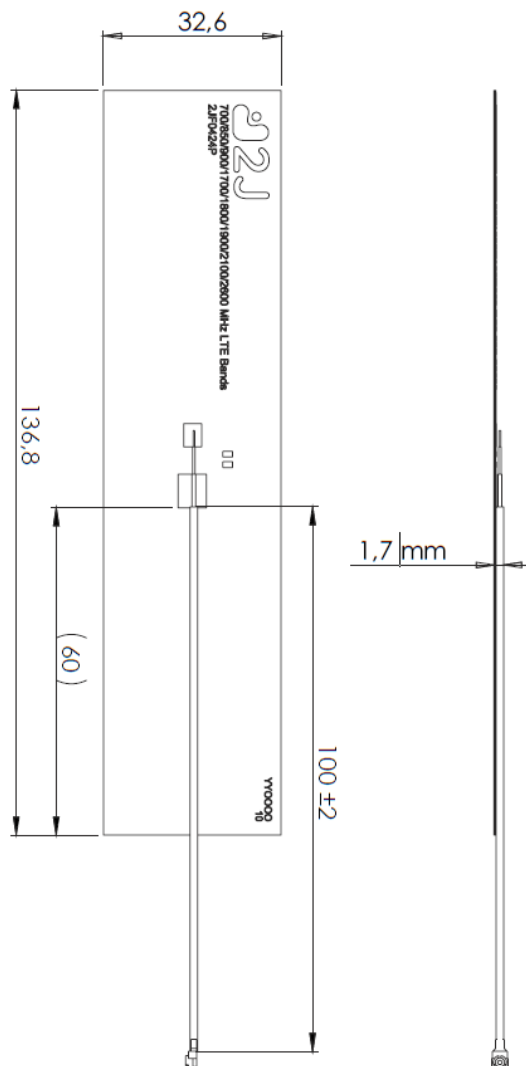
Measurement conditions:

- Mounted on 30 x 30 x 0.25cm ABS plate
- 150mm of 1.37mm mini coax cable
- Measured in certified CTIA 3D anechoic chamber

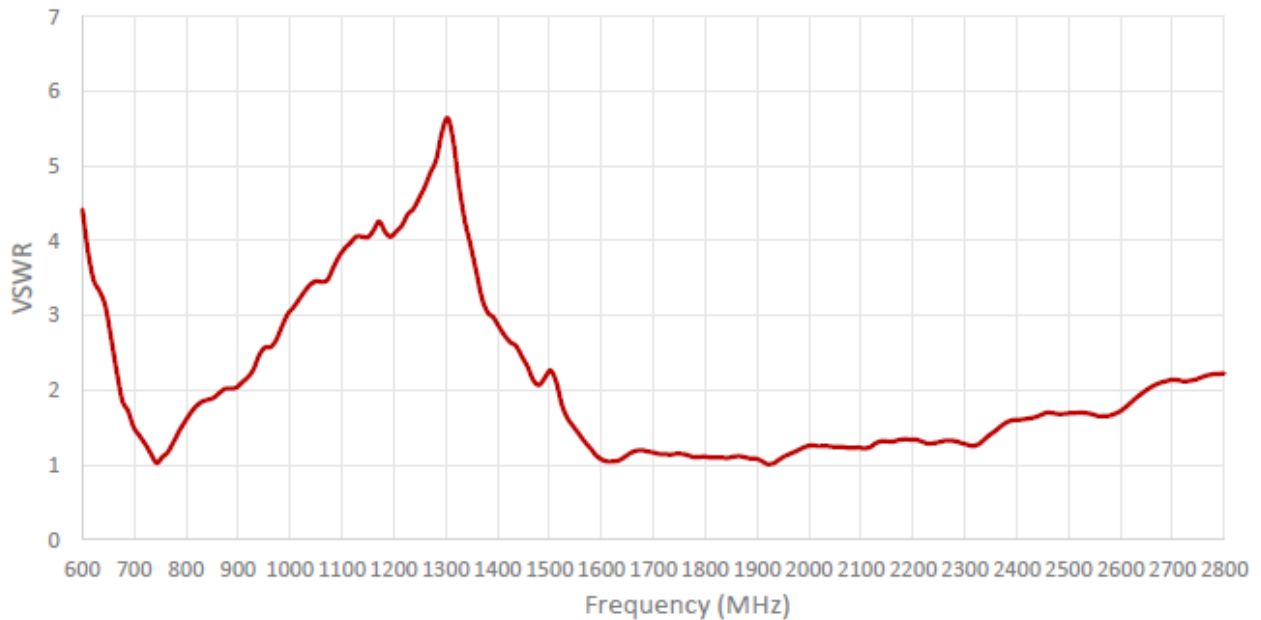
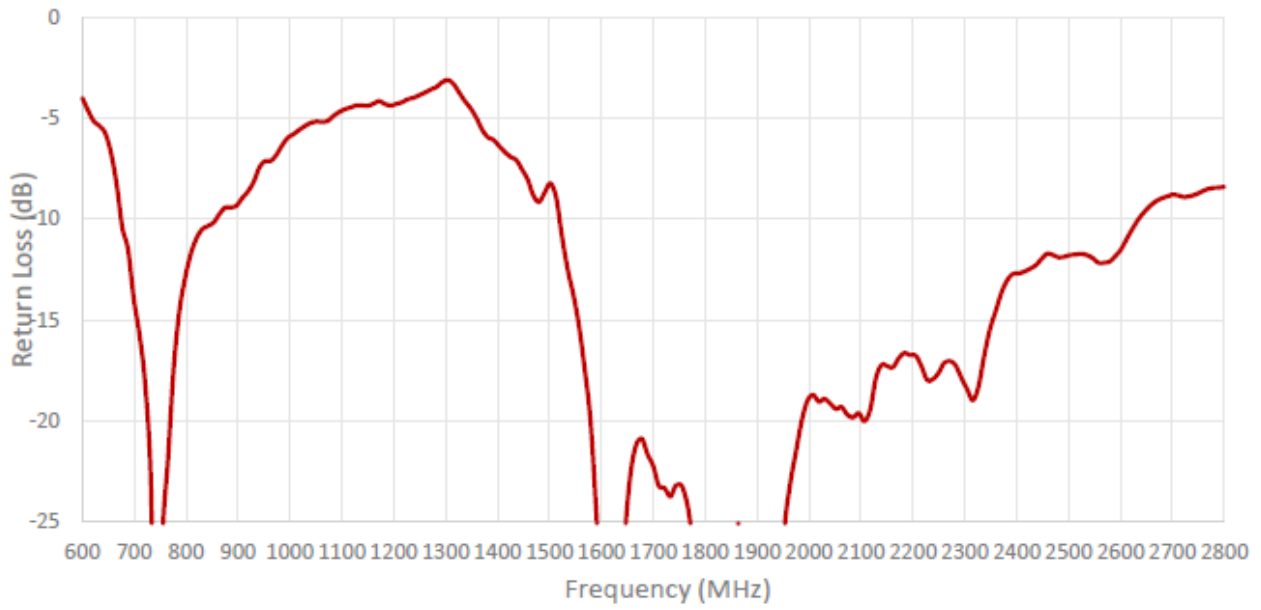


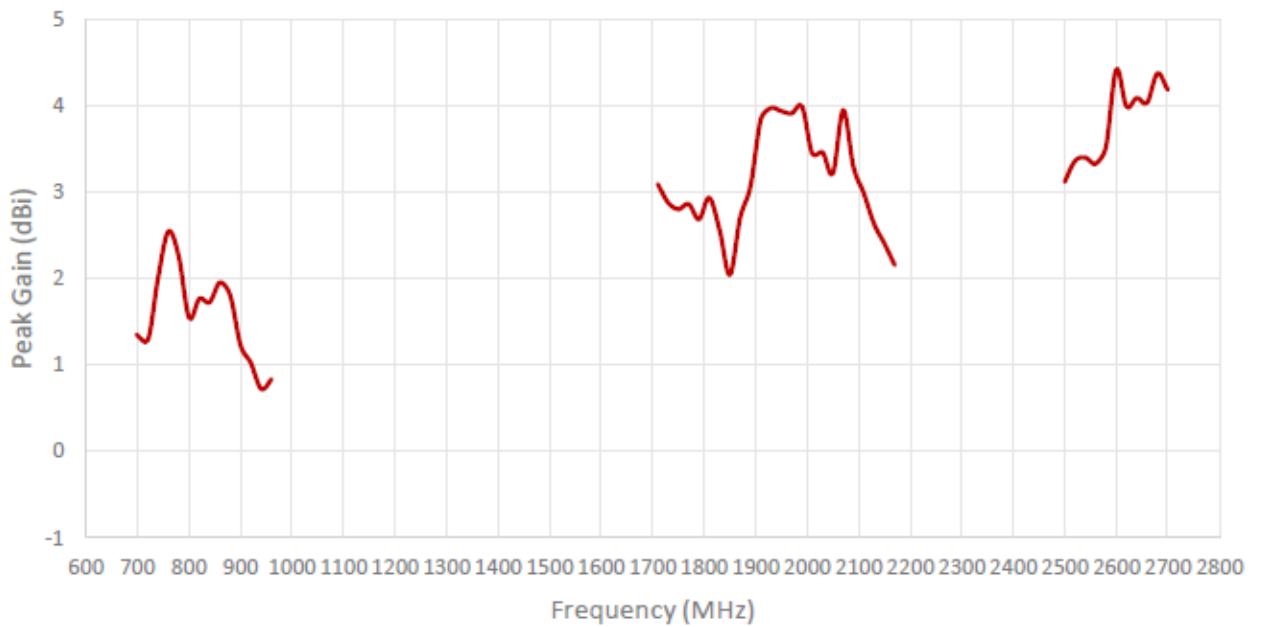
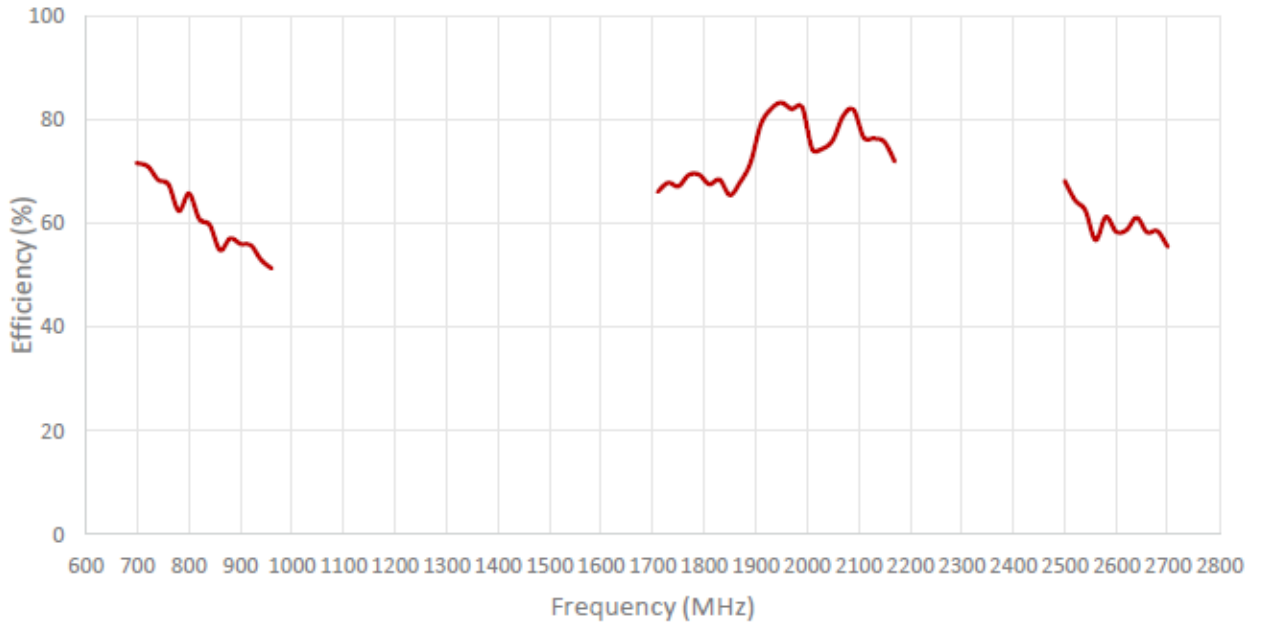
2. Mechanical and environmental specifications

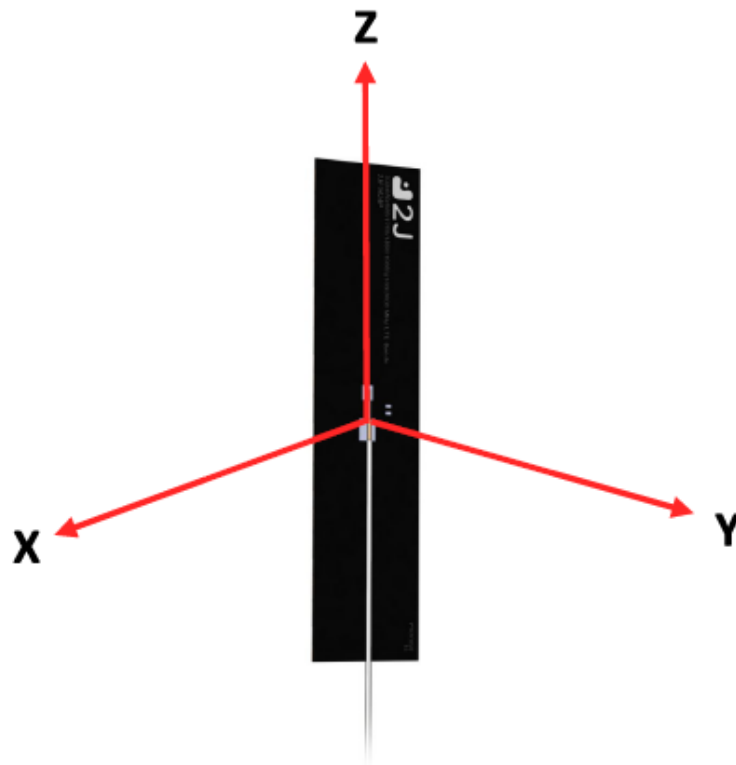
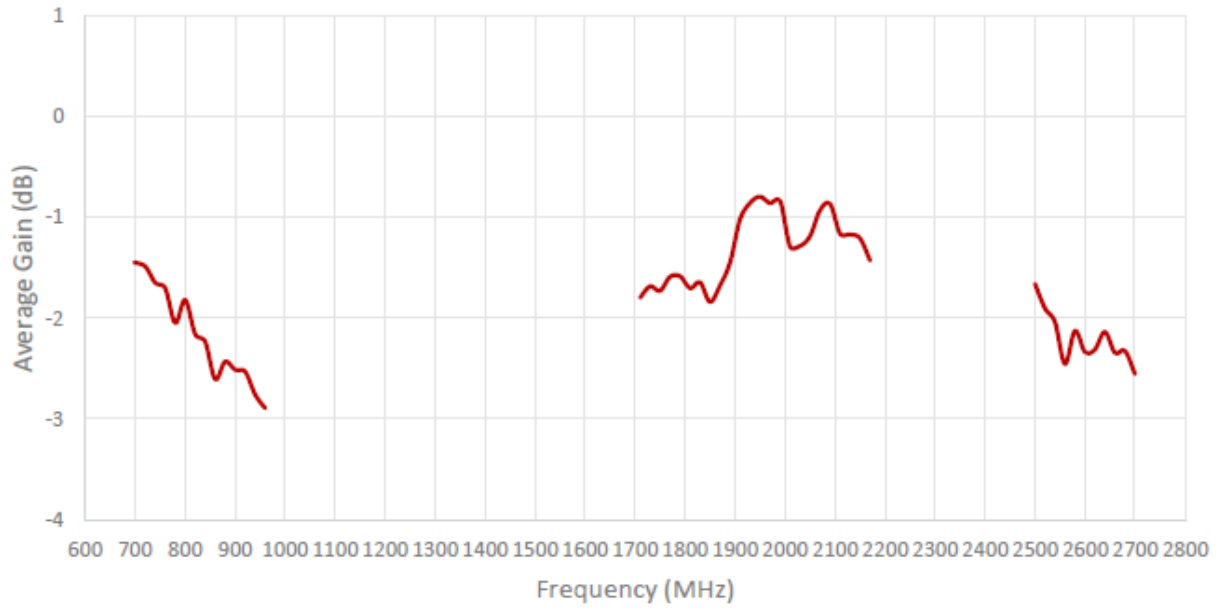
Mounting Type	Adhesive
Dimensions (mm)	136.8 x 32.6 x 0.2
Adhesive type	3M 467MP
Material	Flexible polymer
Operating Temperature (°C)	-40 to +85
Storage Temperature (°C)	-40 to +85
Substance Compliance	RoHS



3. Antenna parameters

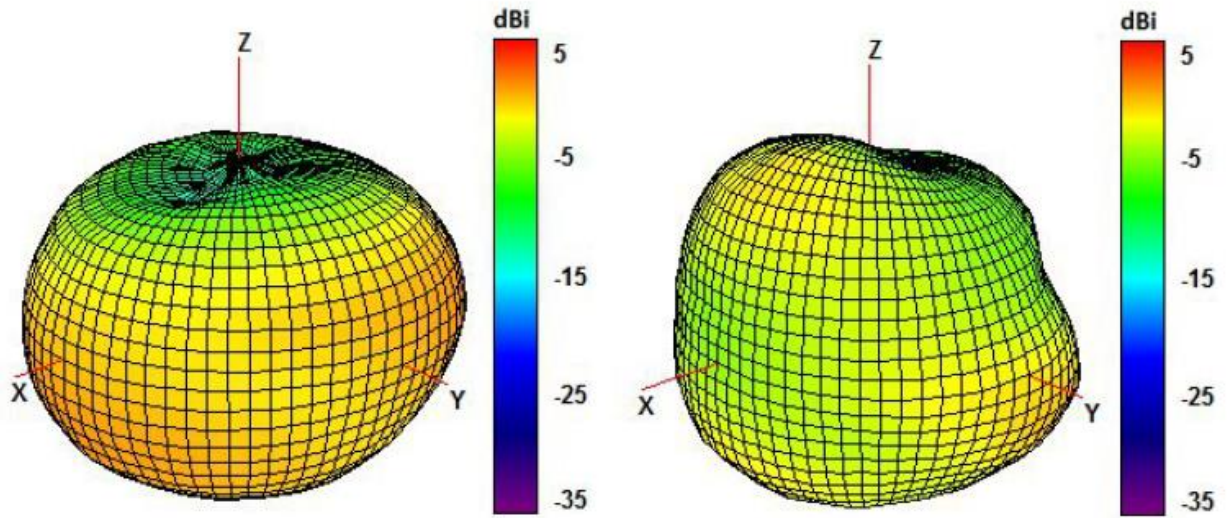




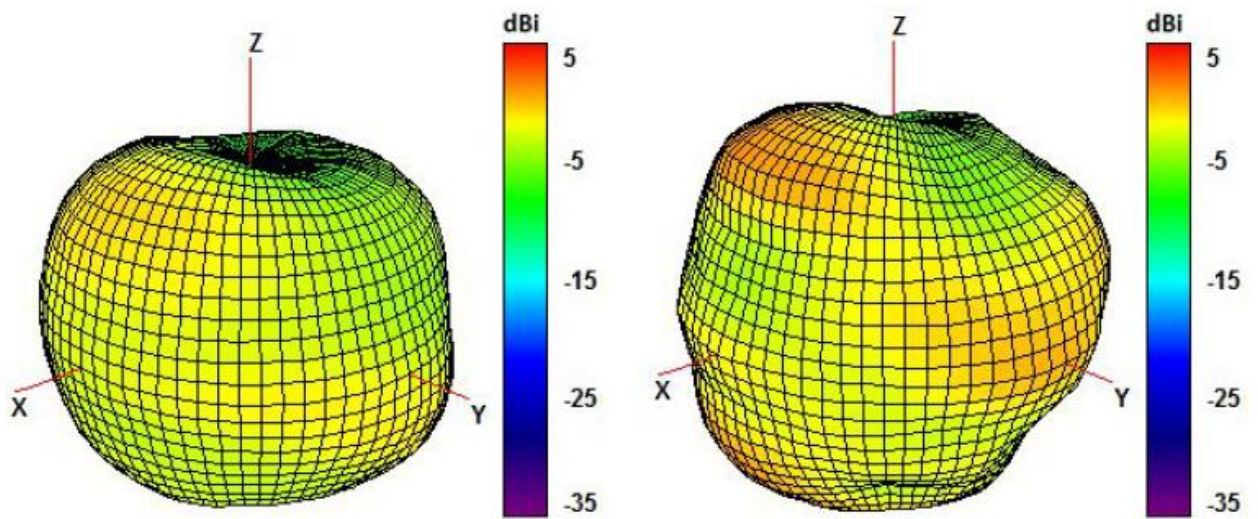


Radiation pattern reference



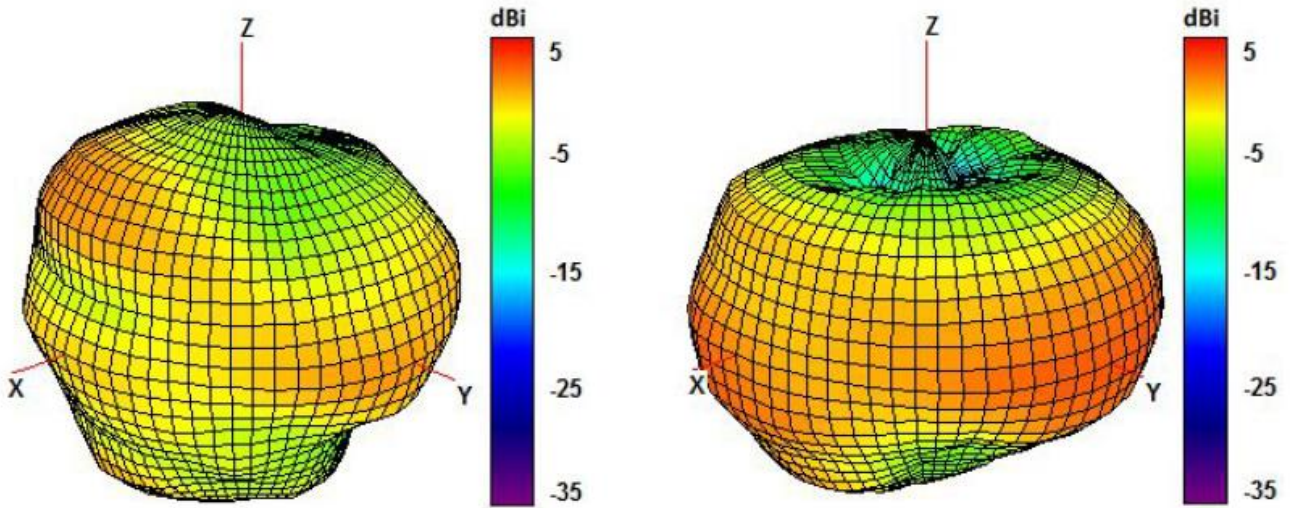


750 and 850 MHz Radiation pattern

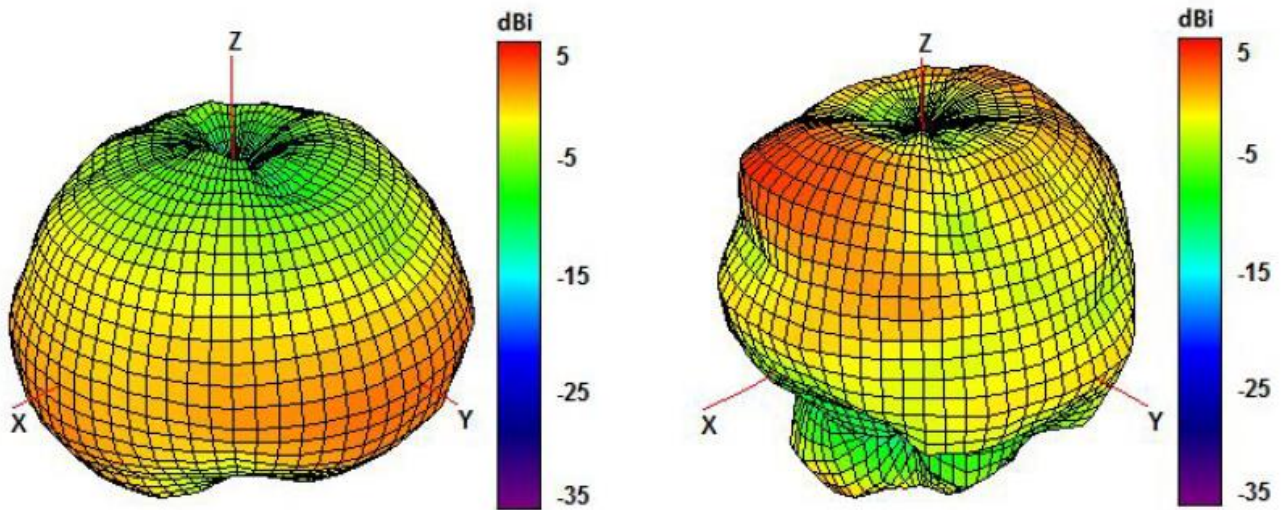


940 and 1750 MHz Radiation pattern





1850 and 1950 MHz Radiation pattern



2100 and 2600 MHz Radiation pattern

