

AMC-ANT-2J4D01MPGF

GPS/GLONASS magnetic/adhesive mount antenna

Features

- GPS/GLONASS/QZSS/Galileo:
 - 1561 – 1606MHz
- Magnetic/adhesive mount
- Pre-filter or Mid-filter
- Voltage 1.5 – 3.6V
- Ground plane independent
- Certificate: IP67
- Dimensions: 41 x 34 x 13.5/14.5mm
- Gain and filter options available
- Customisable cable length and connector



1. Antenna and Electrical Specifications

Parameters	GPS/GLONASS antenna	
Standards	GPS/QZSS/Galileo	GLONASS
Band (MHz)	1575	1602
Frequency (MHz)	1575.42	1598 - 1606
Patch size (mm)	25 x 25 x 4	
Return loss (dB)	<=-15.0	
VSWR	<=1.4:1	
Impedance (Ohms)	50	
Radiation pattern	Hemispherical	
Polarisation	RHCP	
SAW filter	Pre-filter	
Active gain (dB)	28 @ 2.7V	
Noise figure (dB)	1.5 typ.	
Voltage (V)	1.5 – 3.6	
Current (mA)	9 typ.	
Power consumption (mW)	24.3 typ.	
ESD protection (kV)	2	
Connector type	SMA male standard (other connectors available)	
Cable length	3 metres standard (other lengths available)	
Cable type	RG174 standard (other cable types available)	

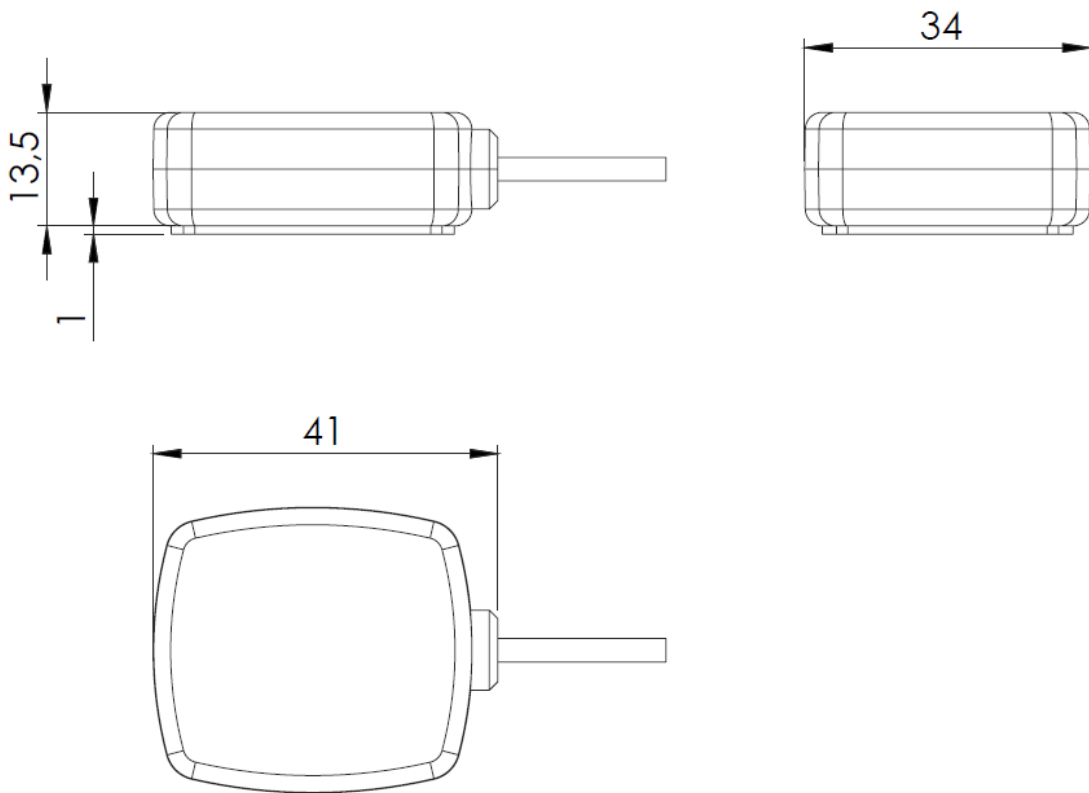
Antenna gain/filter variants available:

Part No.	Active Gain	Filter Type
AMC-ANT-2J4D01MPGF	28dB	Pre-filter
AMC-ANT-2J4D01MPGFz	28dB	Mid-filter
AMC-ANT-2J4D01MPGFy	14dB	Pre-filter

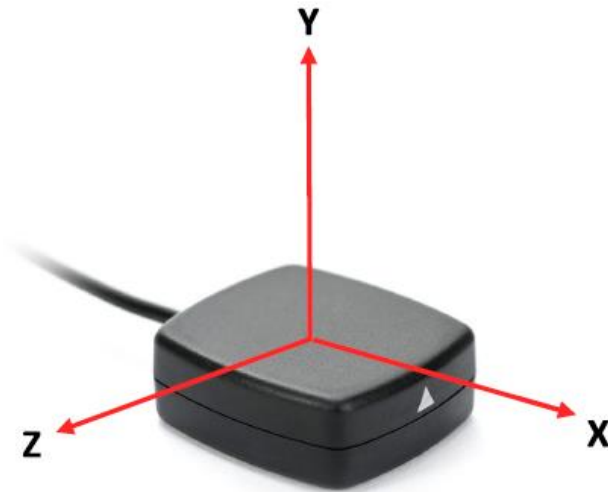


2. Mechanical and Environmental Specifications

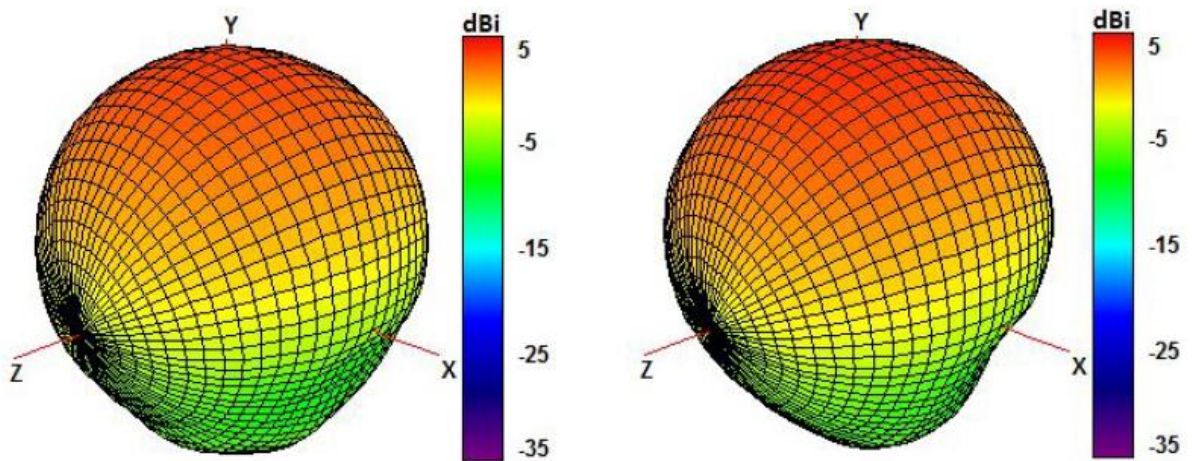
Mounting type	Magnetic/adhesive
Dimensions (mm)	41 x 34 x 13.5/14.5
Radome type	ABS
Radome colour	Black
Antenna base	ABS
Operating temperature (°C)	-40 to +85
Storage temperature (°C)	-40 to +85
Certificate	IP67
Substance compliance	RoHS



3. Antenna Parameters



Radiation pattern reference



1575 MHz and 1600 MHz Radiation pattern

