

AMC-ANT-2J6026B-THxx

Iridium low profile screw mount antenna

Features

- **Iridium**
 - 1616 - 1627MHz
- Screw mount
- Iridium certified
- Low profile
- High performance
- Ground plane independent
- Certificates: IP67
- Dimensions – 80 x 74 x 16mm
- Screw length options (THxx): 8.5mm, 19mm (default), 30mm
- Customisable cable and connector



Alpha Micro Components: Tel: +44 1256 851770 | email: sales@alphamicro.net

www.alphamicro.net



1. Antenna and Electrical Specifications

Parameters	Iridium antenna
Standards	Iridium
Band (MHz)	1621
Frequency (MHz)	1616 - 1627
Return Loss (dB)	~-15.6
VSWR	~1.4:1
Efficiency (%)	~70
Peak Gain (dBiC)	~3.5
Average Gain (dB)	~-1.1
Impedance (Ohms)	50
Axial Ratio (dB)	3 max
Radiation Pattern	Hemispherical
Polarisation	RHCP
Connector Type	SMA male standard (other connectors available)
Cable Length	3 metres standard (other lengths available)
Cable Type	LMR195 standard (other cables available)

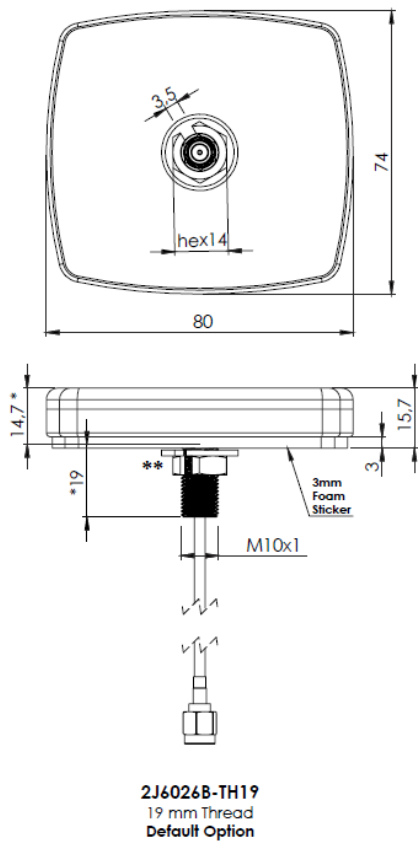
Antenna Measurement Conditions:

- Mounted on ground plane of 70 x 70mm
- No cable
- Measured in certified CTIA 3D anechoic chamber

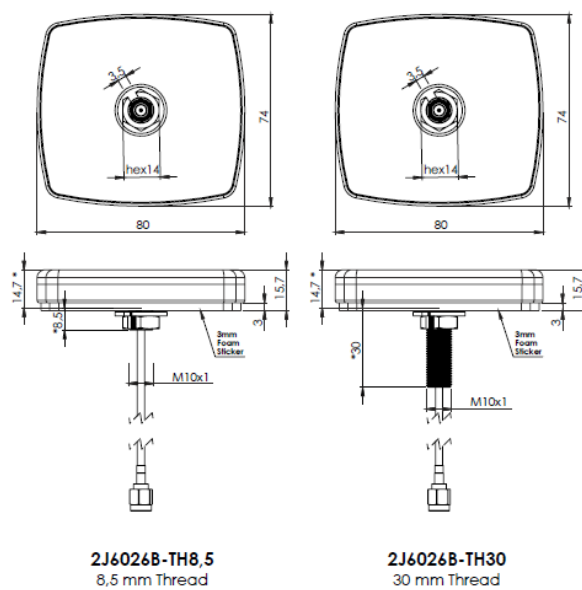
2. Mechanical and Environmental Specifications

Mounting Type	Screw mount
Dimensions (mm)	80 x 74 x 13/16
Max. Tighten Torque (Nm)	5
Radome	ABS
Radome Colour	Black
Operating Temperature (°C)	-40 to +85
Storage Temperature (°C)	-40 to +85
Substance Compliance	RoHS
Certificates	Iridium Certified, IP67

Default Thread Option



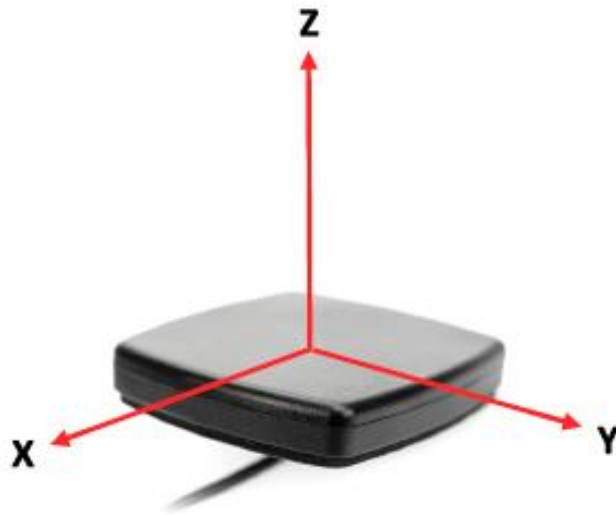
Other Thread Options available



*Dimensions after mounting

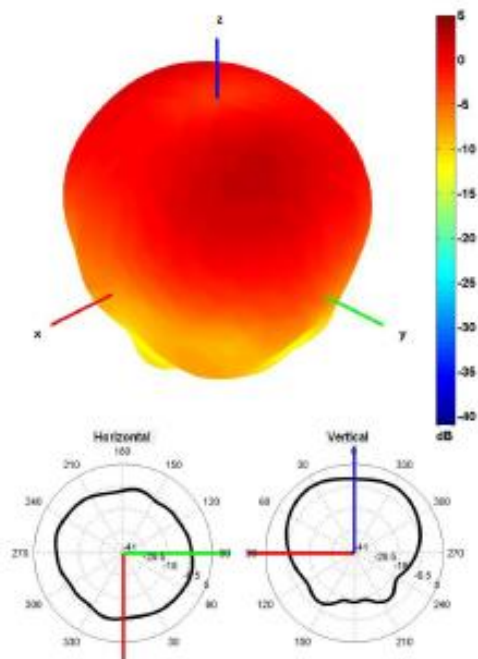
**Max. Torque= 5 Nm

3. Antenna Parameters



Radiation pattern reference

Table 1: IRIDIUM



1621 MHz Radiation pattern