

## AMC-ANT-2J6026B-THxx

Iridium low profile screw mount antenna

### Features

- **Iridium**
  - 1616 - 1627MHz
- Screw mount
- Iridium certified
- Low profile
- High performance
- Ground plane independent
- Certificates: IP67
- Dimensions: 80 x 74 x 16mm
- Screw length options (THxx): 8.5mm, 19mm (default), 30mm
- Customisable cable and connector



## 1. Antenna and electrical specifications

Parameters	Iridium antenna
Standards	Iridium
Band (MHz)	1621
Frequency (MHz)	1616 - 1627
Return Loss (dB)	~-15.6
VSWR	~1.4:1
Efficiency (%)	~70
Peak Gain (dBiC)	~3.5
Average Gain (dB)	~-1.1
Impedance (Ohms)	50
Axial Ratio (dB)	3 max
Radiation Pattern	Hemispherical
Polarisation	RHCP
Connector Type	SMA male standard (other connectors available)
Cable Length	3 metres standard (other lengths available)
Cable Type	LMR195 standard (other cables available)

### Antenna measurement conditions:

- Mounted on ground plane of 70 x 70mm
- No cable
- Measured in certified CTIA 3D anechoic chamber



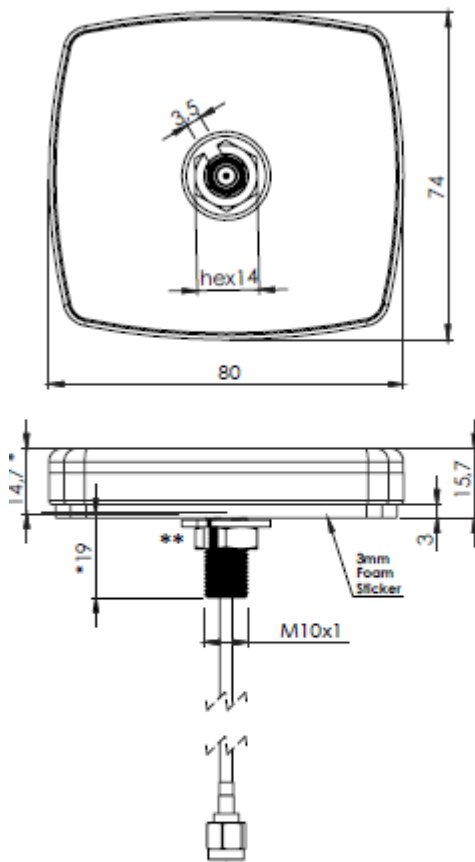
## 2. Mechanical and environmental specifications

<b>Mounting Type</b>	Screw mount
<b>Dimensions (mm)</b>	80 x 74 x 13/16
<b>Max. Tighten Torque (Nm)</b>	5
<b>Radome</b>	ABS
<b>Radome Colour</b>	Black
<b>Operating Temperature (°C)</b>	-40 to +85
<b>Storage Temperature (°C)</b>	-40 to +85
<b>Substance Compliance</b>	RoHS
<b>Certificates</b>	Iridium Certified, IP67



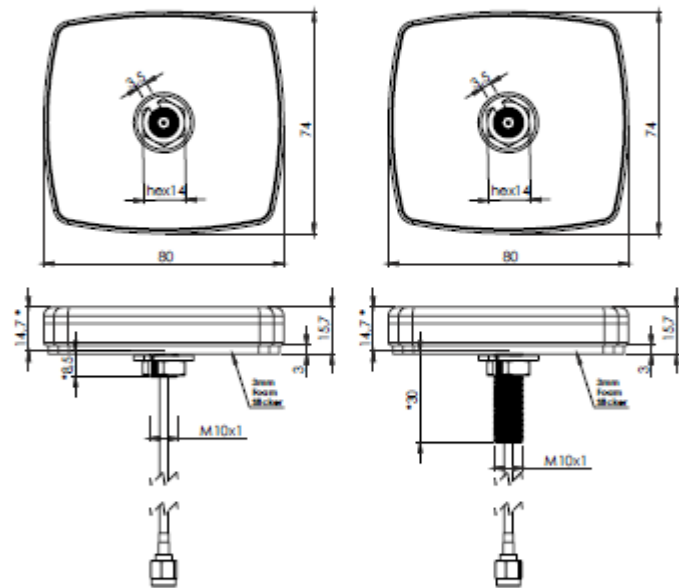
### 3. Antenna drawings

#### Default Thread Option



**2J6026B-TH19**  
19 mm Thread  
Default Option

#### Other Thread Options available



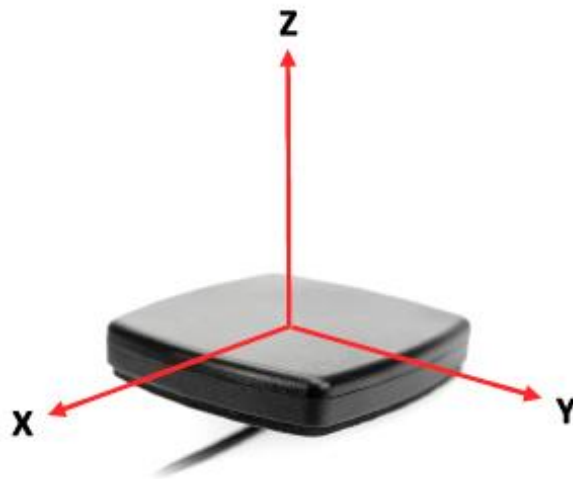
**2J6026B-TH8,5**  
8,5 mm Thread

**2J6026B-TH30**  
30 mm Thread

\*Dimensions after mounting  
\*\*Max. Torque= 5 Nm

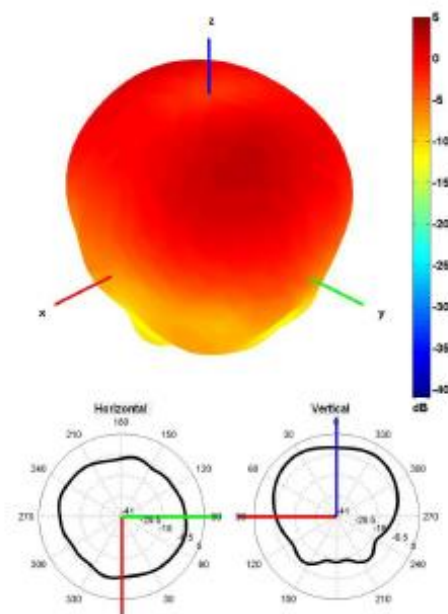


#### 4. Antenna parameters



Radiation pattern reference

Table 1: IRIDIUM



1621 MHz Radiation pattern

