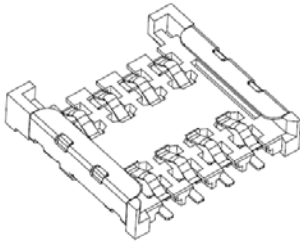


AMC-ICC-M01-8PA-RX

8-Pin surface mount, Micro SIM Card connector
(without card detection switch).



TECHNICAL CHARACTERISTICS

1. General Characteristics

Dimension: 13.28L x 13.70W x 2.60H mm
Weight: Approx. 0.38 g
Contact principle: Friction technology
Operating position: Shaft up / Down / Horizontal
Mounting System: SMT Type (without post)
Durability: 5,000 cycles min.

2. Mechanical Characteristics

Insulation material: Thermoplastic, UL 94V-0
RoHS Directive 2002/95/EC Compliant

3. Electrical Characteristics

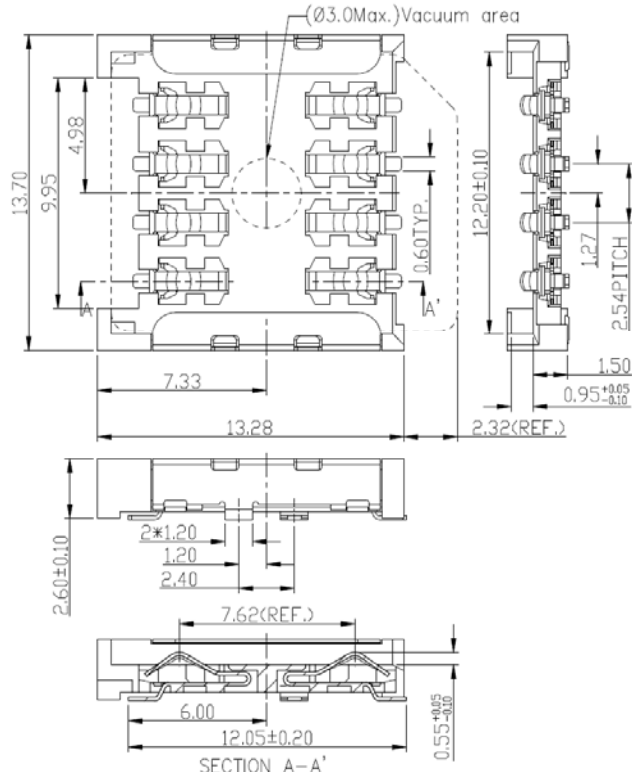
Number of contacts: 6, 8 pins (optional)
Contact resistance: 50 mΩ typical, 100 mΩ max.
Insulation resistance: >1000 MΩ / 500 VDC

4. Solderability

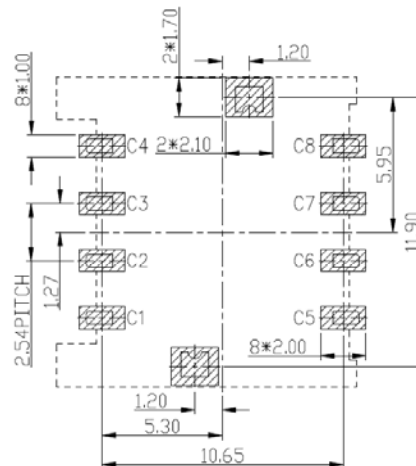
Wave: Not applicable
IR reflow: 260°C, 10 sec. Max.
Manual soldering: 360°C, 3 sec. Max.

5. Environmental Characteristics

Operating temperature: - 40°C ~ + 85°C
Operating humidity: 10 % ~ 95 % RH
Storage temperature: - 40°C ~ + 85°C
Storage humidity: 10 % ~ 95 % RH



Unit: mm; Tolerances: ±0.15 mm
Mechanical outline dimension



Unit: mm; Tolerances: ±0.05 mm
Reference dimension for PCB layout

AMC Micro SIM Card Connector

Model: AMC-ICC-M01-8PA

Revision: 1.0

Date: JAN. 01, 2011