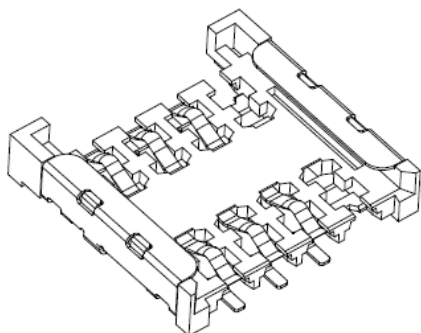


AMC-ICC-M01-6PA-RX

6-Pin surface mount, Micro SIM Card connector
(without card detection switch).



TECHNICAL CHARACTERISTICS

1. General Characteristics

Dimensions: 13.28L x 13.70W x 2.60H mm
 Weight: Approx. 0.38 g
 Contact principle: Friction technology
 Operating position: Shaft up/Down/Horizontal
 Mounting system: SMT Type (without post)
 Durability: 5,000 cycles min.

2. Mechanical Characteristics

Insulation material: Thermoplastic, UL 94V-0
 RoHS Directive 2002/95/EC Compliant

3. Electrical Characteristics

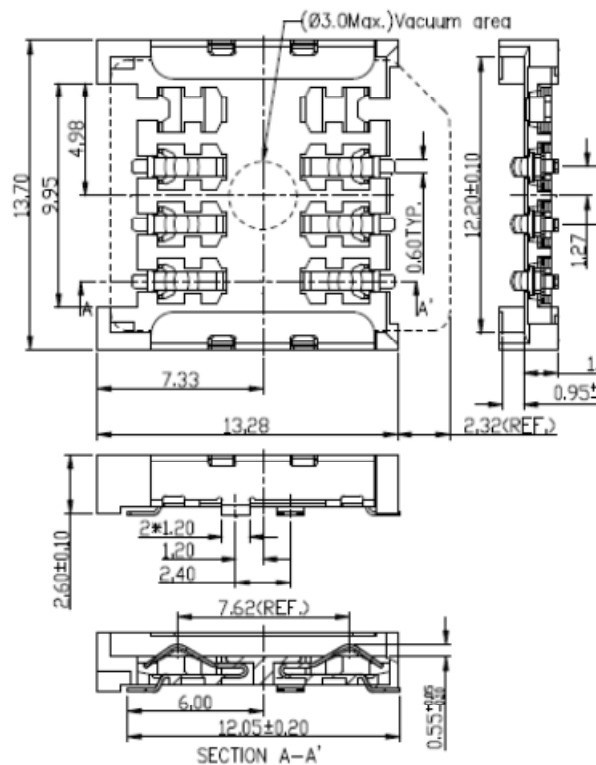
Number of contacts:
 6 pins – AMC-ICC-M01-6PA-RX
 8 pins – AMC-ICC-M01-8PA-RX (optional)
 Contact resistance: 50 mΩ typical, 100 mΩ max
 Insulation resistance: >1000 MΩ / 500 VDC

4. Solderability

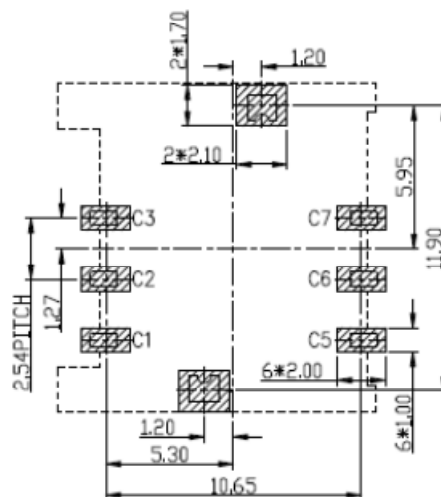
Wave: Not applicable
 IR reflow: 260°C, 10 sec. Max.
 Manual soldering: 360°C, 3 sec. Max.

5. Environmental Characteristics

Operating temperature: - 40°C ~ + 85°C
 Operating humidity: 10 % ~ 95 % RH
 Storage temperature: - 40°C ~ + 85°C
 Storage humidity: 10 % ~ 95 % RH



Unit: mm; Tolerances: ±0.15 mm
 Mechanical outline dimension



Unit: mm; Tolerances: ±0.05 mm
 Reference dimension for PCB layout

AMC SIM Card Connector AMC-ICC-M01-6PA

Revision: 1.0

Date: 1 Jan 2011