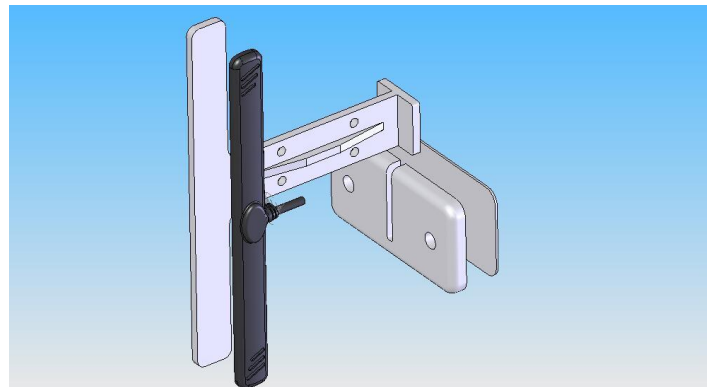


## AMC-CELLSTRIP03

<b>Type</b>	Cellular/Wi-Fi/Bluetooth Antenna
<b>Frequencies</b>	GSM (850MHz) GSM (900MHz) DCS (1800MHz) PCS (1900MHz) 3G (UMTS 2.1GHz) Wi-Fi/Bluetooth (2.4GHz)
<b>Mounting</b>	Bracket mounting



## 1. SPECIFICATION

### 1.1. Electrical Specifications

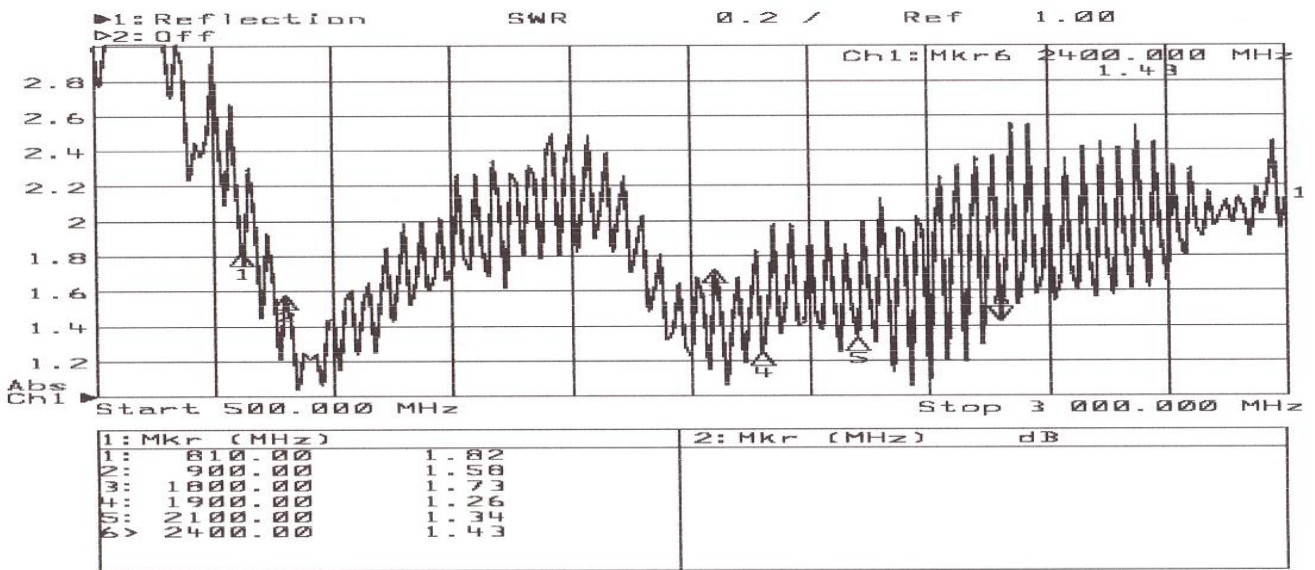
Frequencies	GSM (850MHz) GSM (900MHz) DCS (1800MHz) PCS (1900MHz) 3G (UMTS 2.1GHz) Wi-Fi/Bluetooth (2.4GHz)
Impedance	50 Ohms
Polarity	Vertical
Gain	2.0 dBi
VSWR	<2:1 all bands
IP Rating	Meets IP67
Operating temperature	-40°C to +85°C

### 1.2. Mechanical Specifications and Dimensions

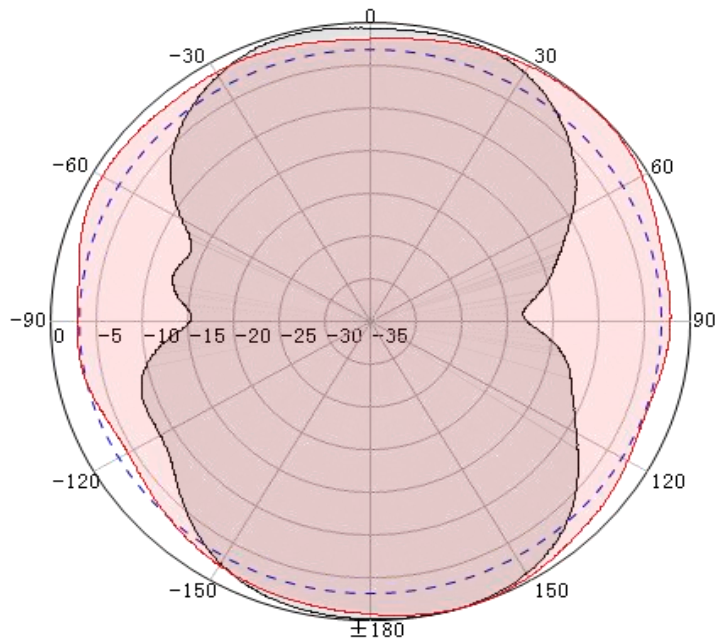
Material:	Black PVC (T12/TM2)
Max. dimensions:	131mm (L) x 12mm (W) x 4mm (D)
Mounting:	Fixing kit comprising double-sided adhesive pad, 0.8mm thick) and fixing screws

## 2. MEASUREMENT

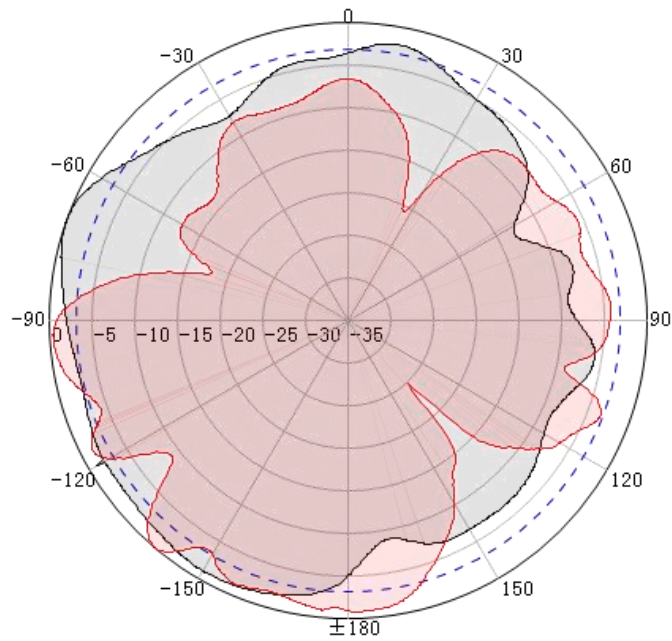
### VSWR 500MHz – 3000MHz



### E-Plane @ 2100MHz



**E-Plane @ 1800MHz**



**E-Plane @ 920MHz**

