

AMC-ANTELTIBA01

Type Cellular/LTE I-bar Antenna

Features

- Cellular/LTE
 - 698 – 960MHz
 - 1710 – 2170MHz
 - 2500 – 2700MHz
- Ground plane independent
- Adhesive mount
- Dimensions – 116 x 22 x 6.7mm
- Customisable cable and connector
- **AMC-ANTELTIBA01R** equipped with 10K resistor for antenna detection



Certifications:



Alpha Micro UK: Tel. +44 1256 851770 | email: sales@alphamicro.net
www.alphamicro.net

1. Antenna and Electrical Specifications

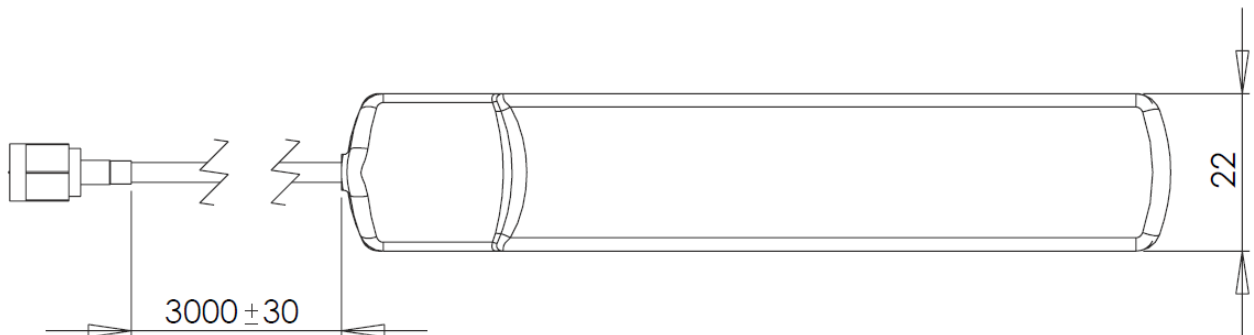
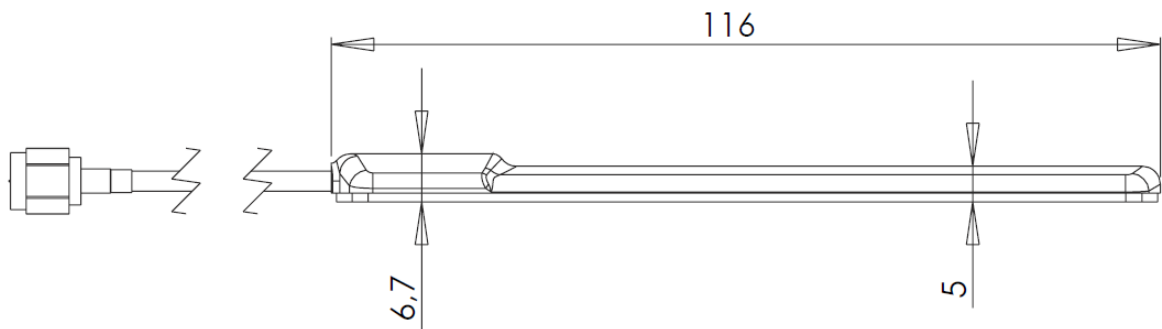
Parameters	Cellular/LTE Antenna		
Standards	2G/3G/4G		
Band (MHz)	700/850/900	1700/1800/1900/2100	2600
Frequency (MHz)	698 - 960	1710 - 2170	2500 - 2700
Return Loss (dB)	~-17.3	~-14.6	~-15.9
VSWR	~1.3:1	~1.4:1	~1.4:1
Efficiency (%)	~65	~41	~34
Peak Gain (dBi)	~3.0	~2.2	~4.0
Average Gain (dB)	~-1.8	~-3.8	~-4.7
Impedance (Ohms)	50		
Polarization	Linear		
Radiation Pattern	Omni-Directional		
Max. Input Power (W)	25		
Connector Type	SMA male (nickel) standard (other connectors available)		
Cable Length	3m standard (other lengths available)		
Cable Type	LMR100 standard (other cables available)		

Measurement Conditions:

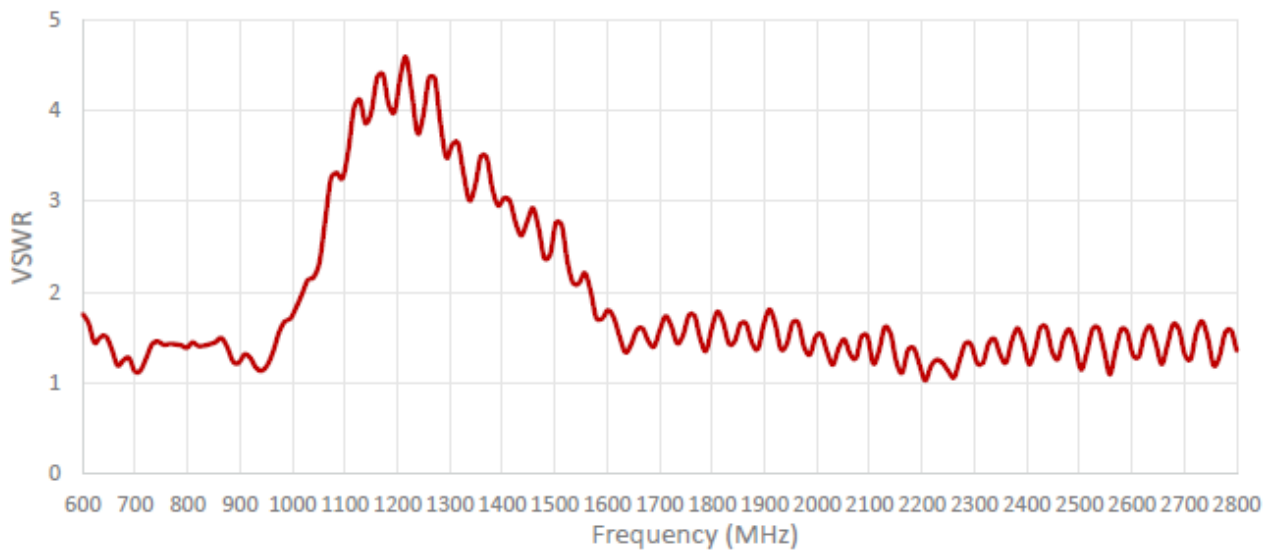
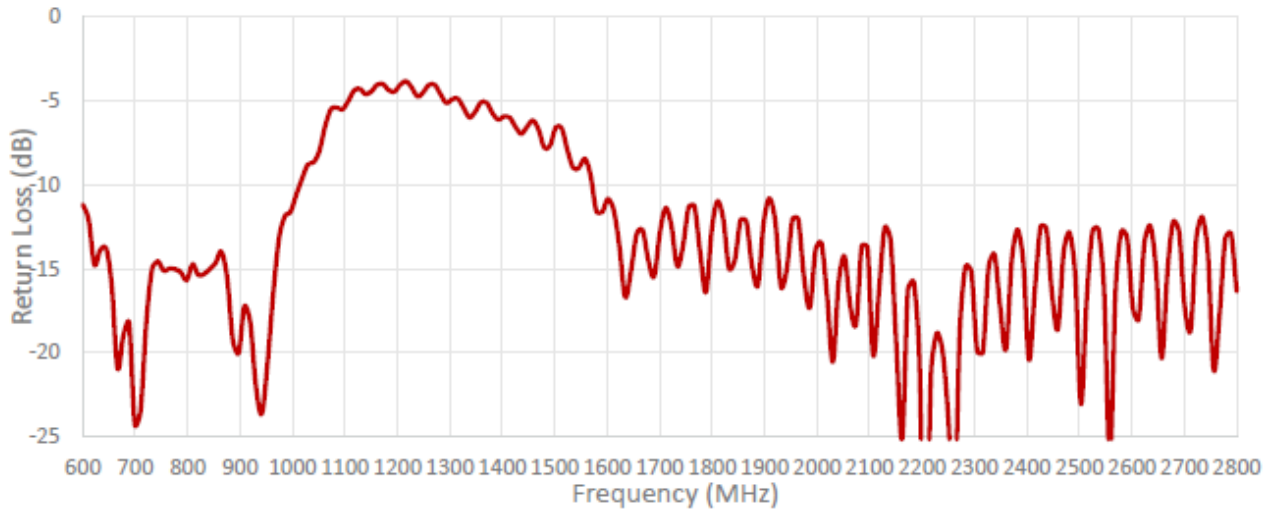
- Mounted on 300mm x 300mm x 2.5mm ABS plate
- 2m of LMR100 cable
- Measured in certified CTIA 3D anechoic chamber

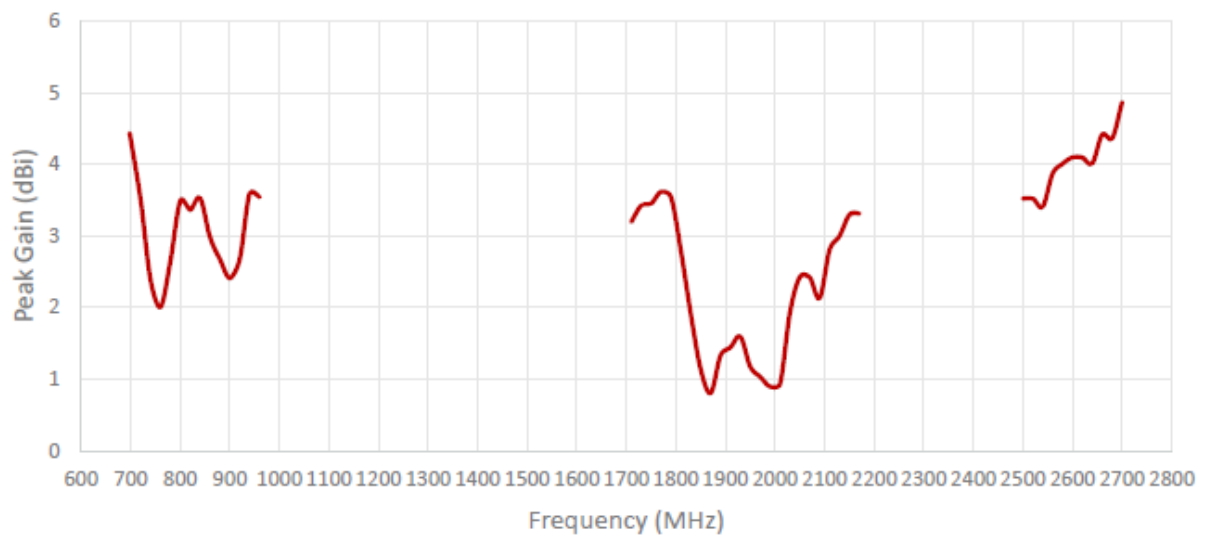
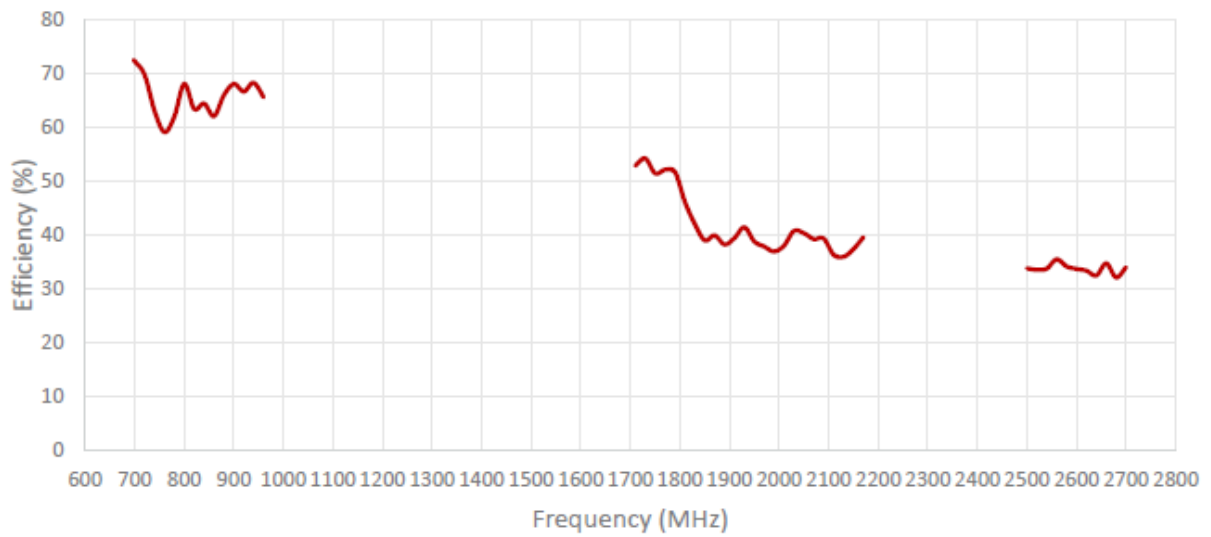
2. Mechanical and Environmental Specifications

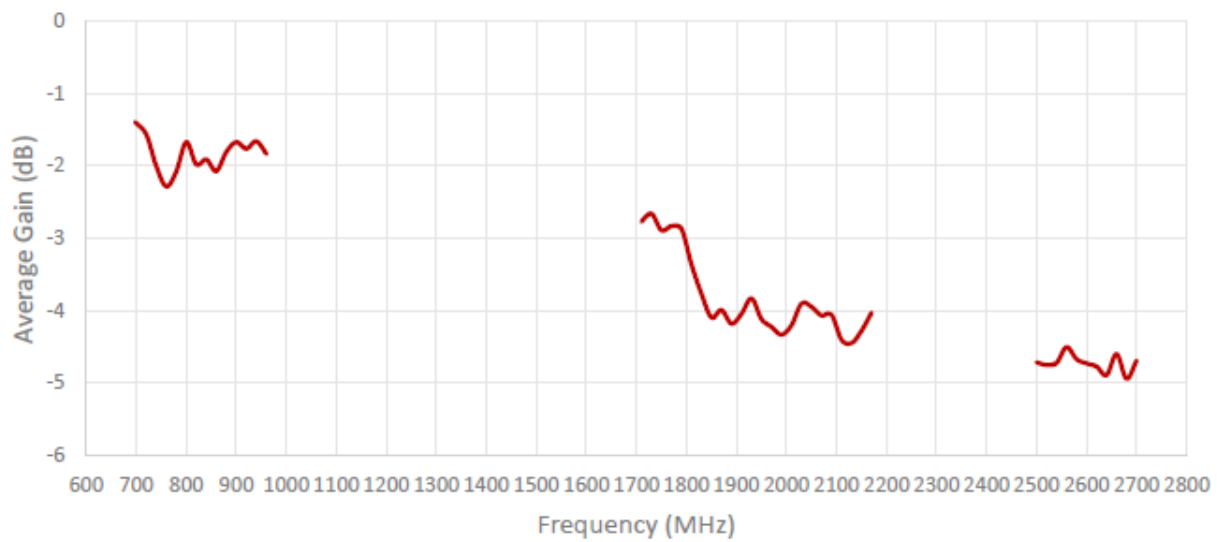
Mounting Type	Adhesive mount
Dimensions (mm)	116 x 22 x 6.7
Material	PC/ABS UV Stable
Colour	Black
Operating Temperature (°C)	-40 to +85
Storage Temperature (°C)	-40 to +85
Substance Compliance	RoHS



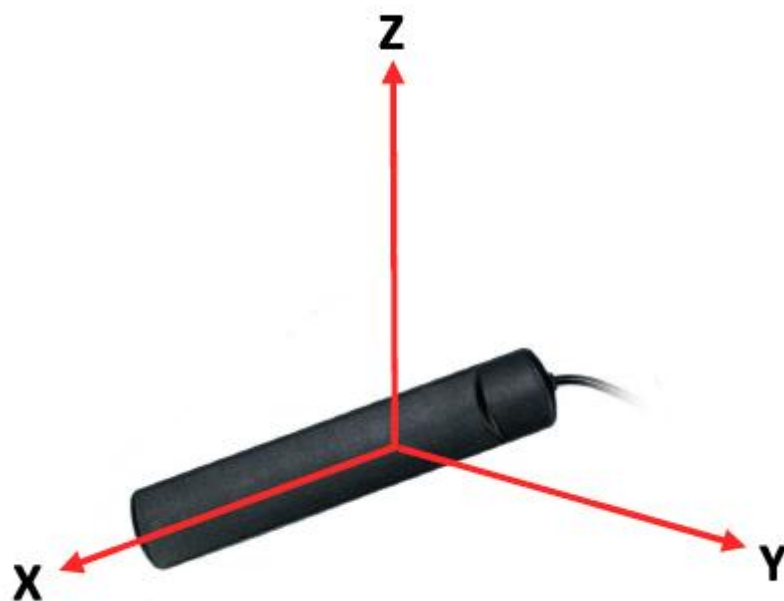
3. Antenna Parameters

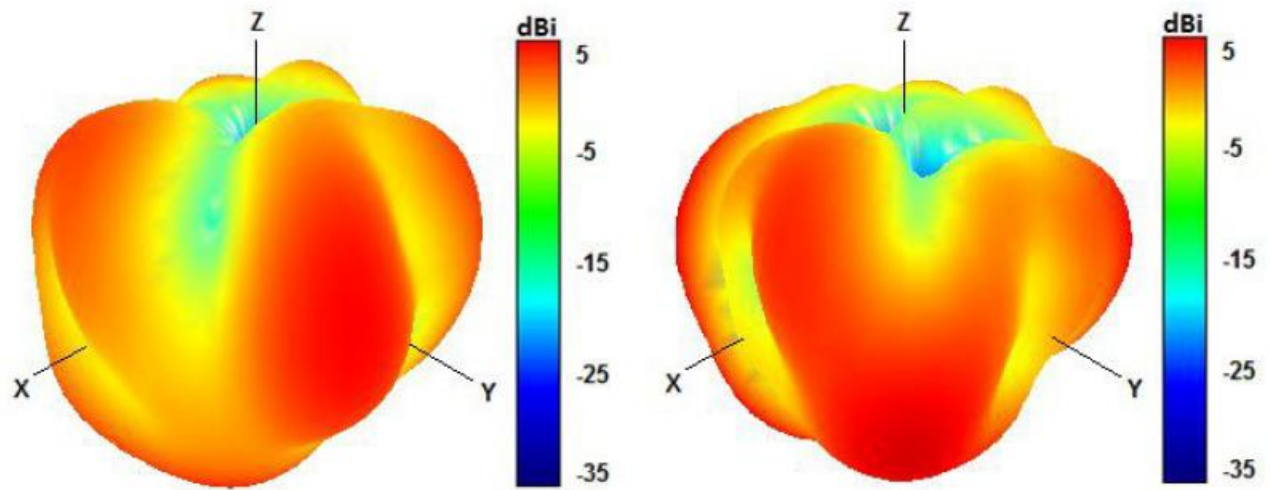




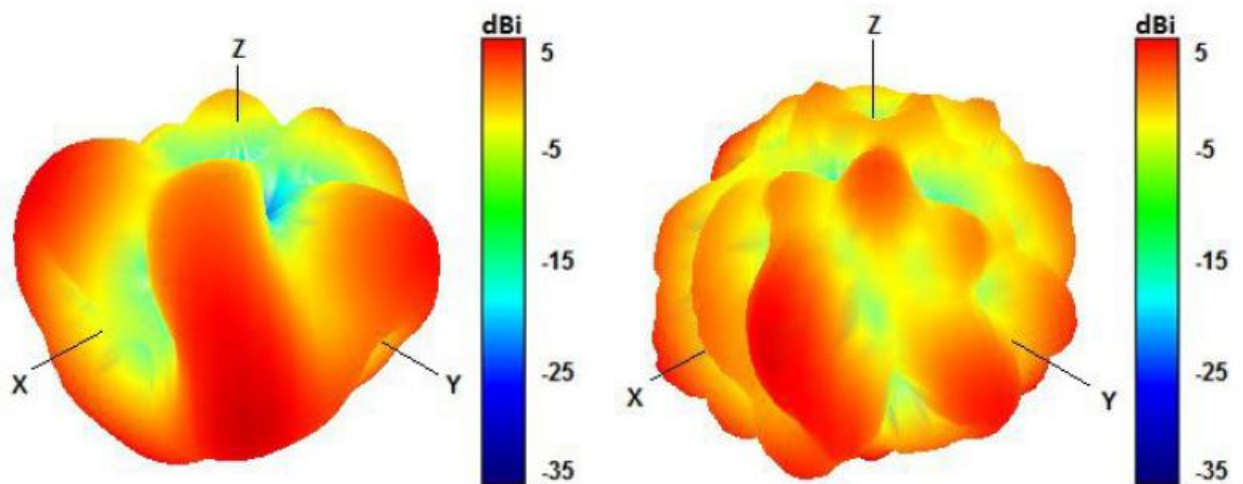


Radiation Pattern Reference

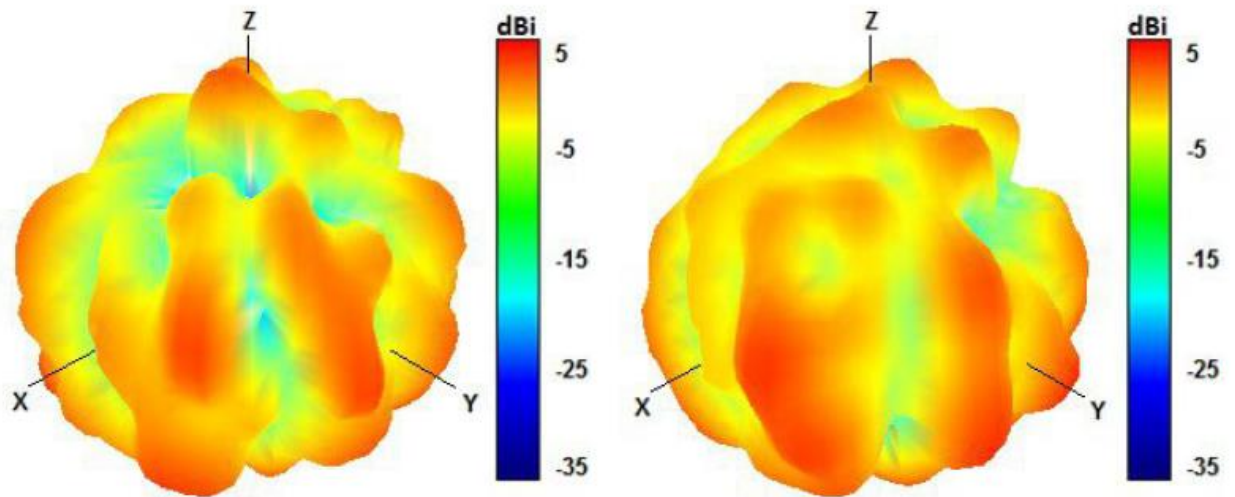




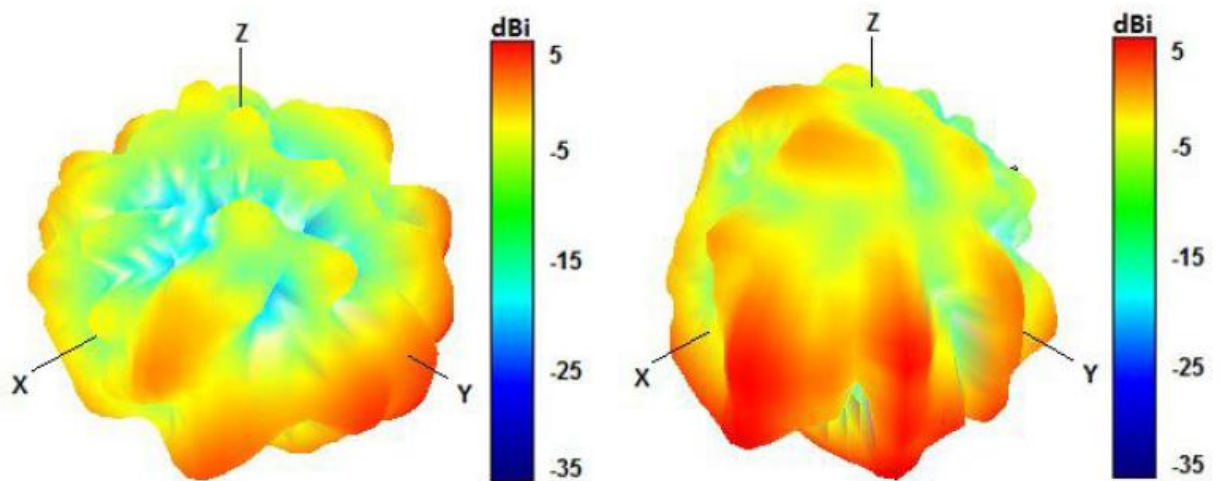
750 and 850 MHz Radiation pattern



940 and 1750 MHz Radiation pattern



1850 and 1950 MHz Radiation pattern



2100 and 2600 MHz Radiation pattern